

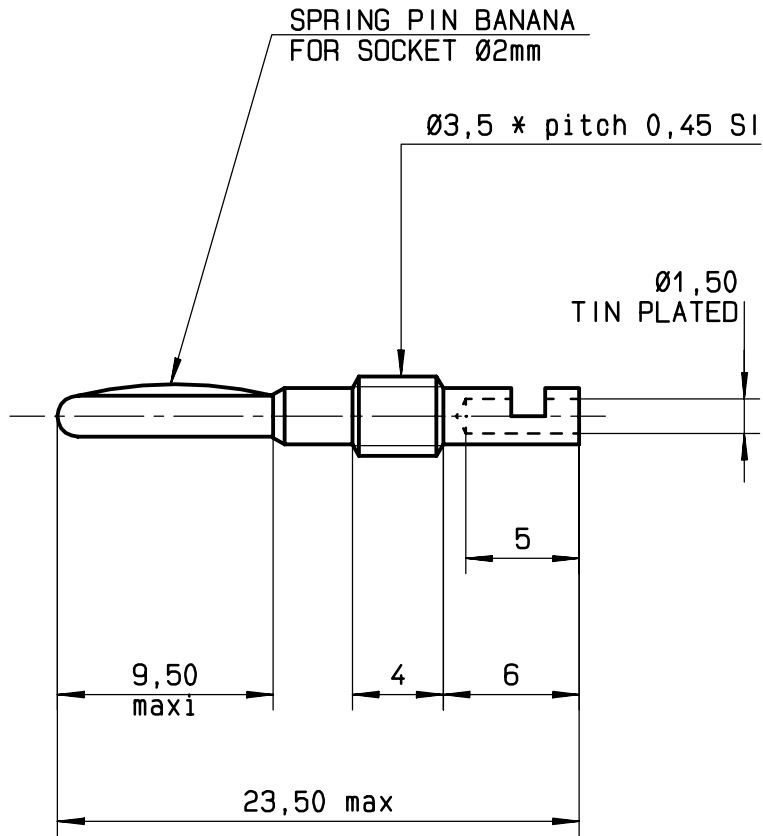


Series  
BAN

2 mm dia.SERIE  
UNINSULATED BANANA PLUG  
/

Issue:  
28 APRIL 03

Page  
1 / 1



MATERIAL AND FINISH :  
-SPRING PIN BANANA : COPPER ALLOY - NICKEL PLATED  
-REAR BODY : COPPER ALLOY - TIN PLATED

CHARACTERISTICS :  
-CURRENT RATING MAX : 10A (at 20°C)  
-CONTACT RESISTANCE : ≤1mΩ

PACKAGING : 100 pièces

This information is given as an indication. In the continual goal to improve our products, we reserve the right to make any modifications judged necessary.  
4112-9610

CREATION	.	.	.	.
PEN: /	.	.	.	.
NOM: B GOMBERT	.	.	.	.
DATE: 28 APRIL 03	.	.	.	.
APPR.: C LAHOREAU	.	.	.	.
Issue	Revisions		Name	Approved

**RADIALL**<sup>®</sup>

101, rue Philibert Hoffmann Z.I. Ouest  
93116 ROSNY/BOIS Cedex (France)  
Tl.: 01 49 35 35 35  
Fax.: 01 48 54 63 63  
Tlax: RADIA 235220