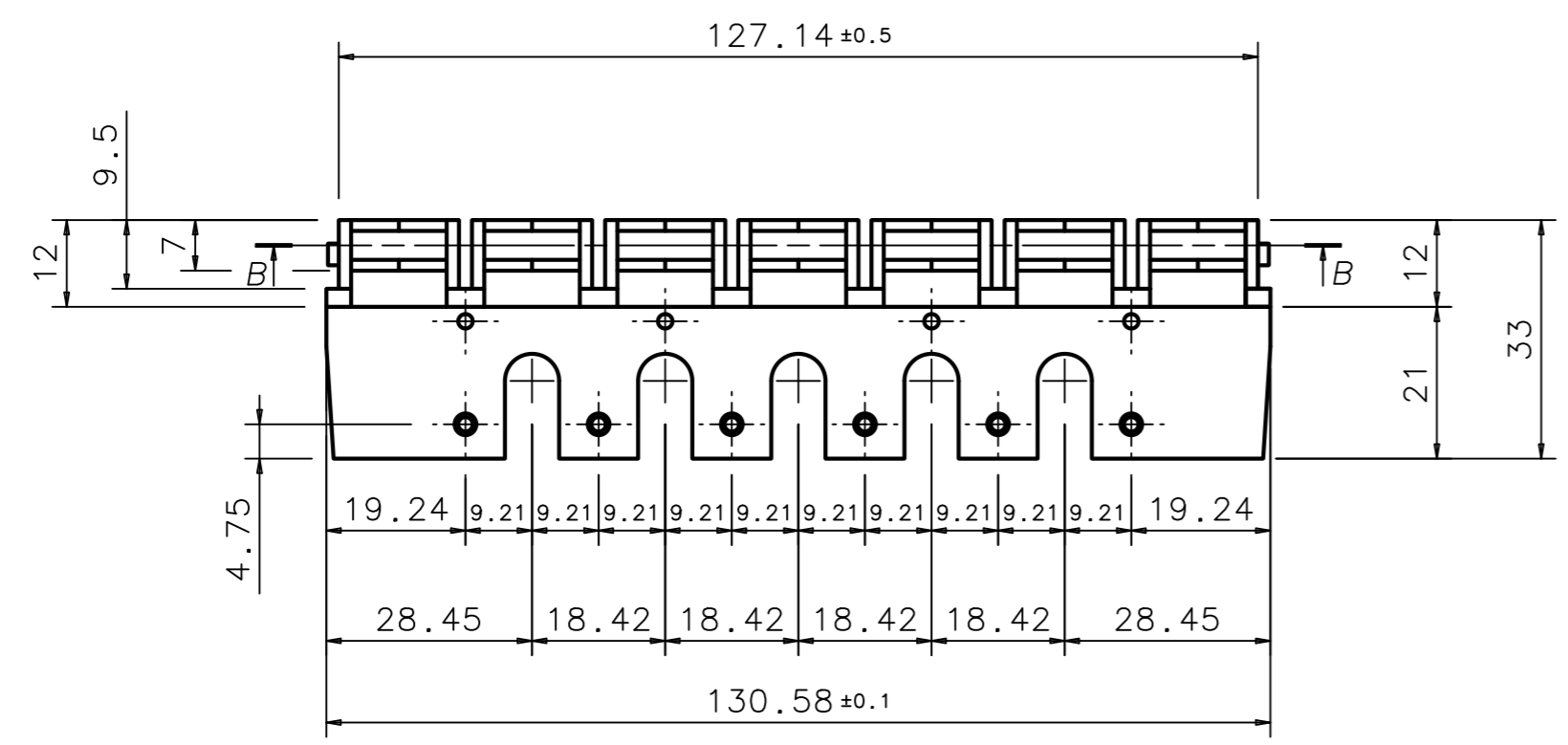
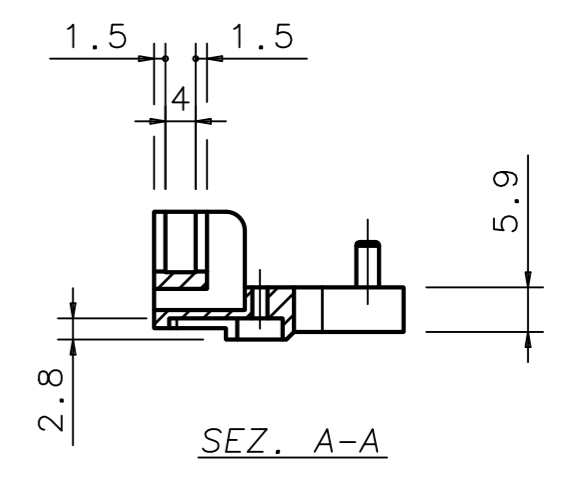
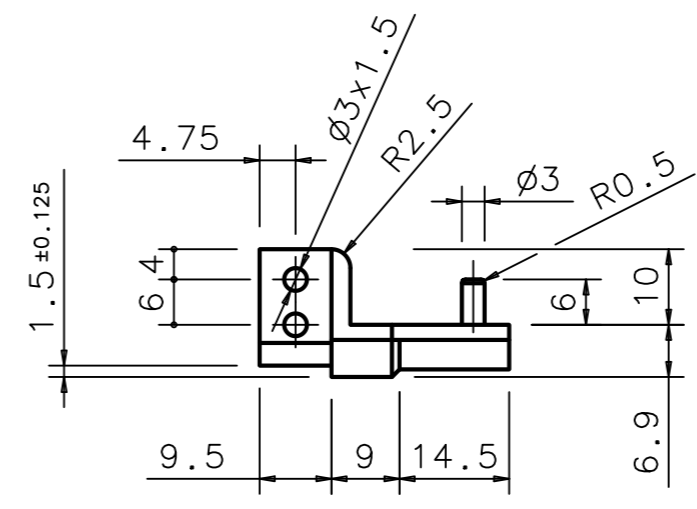
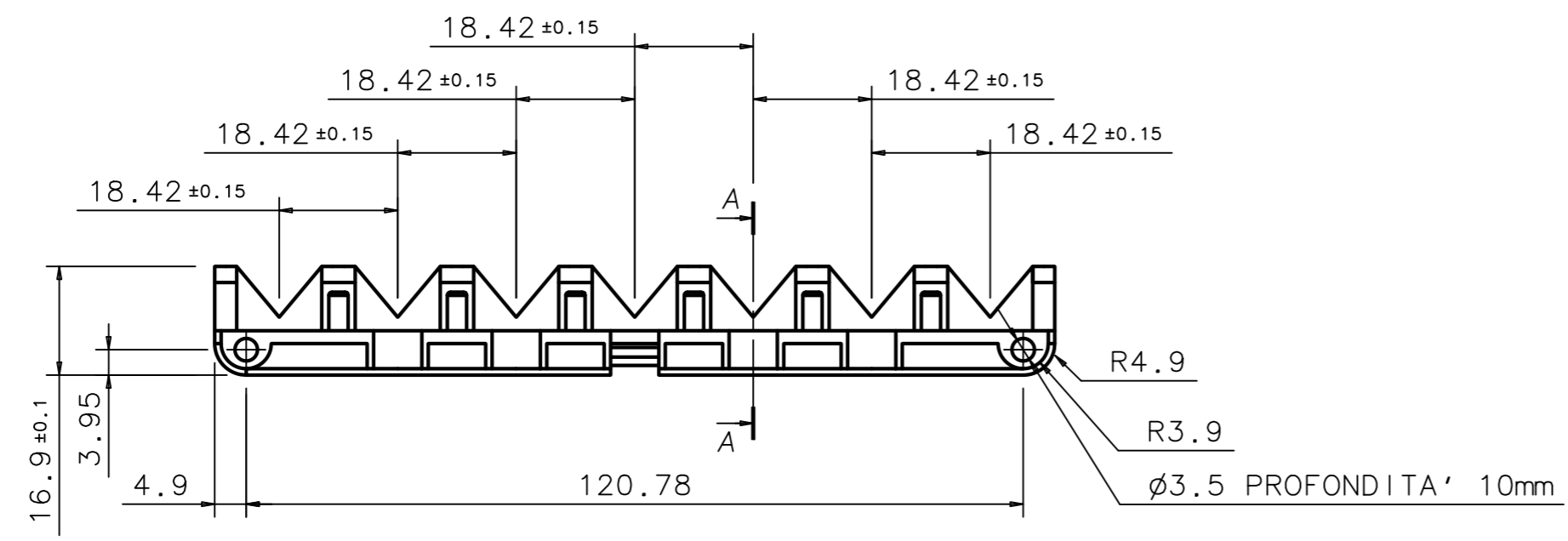
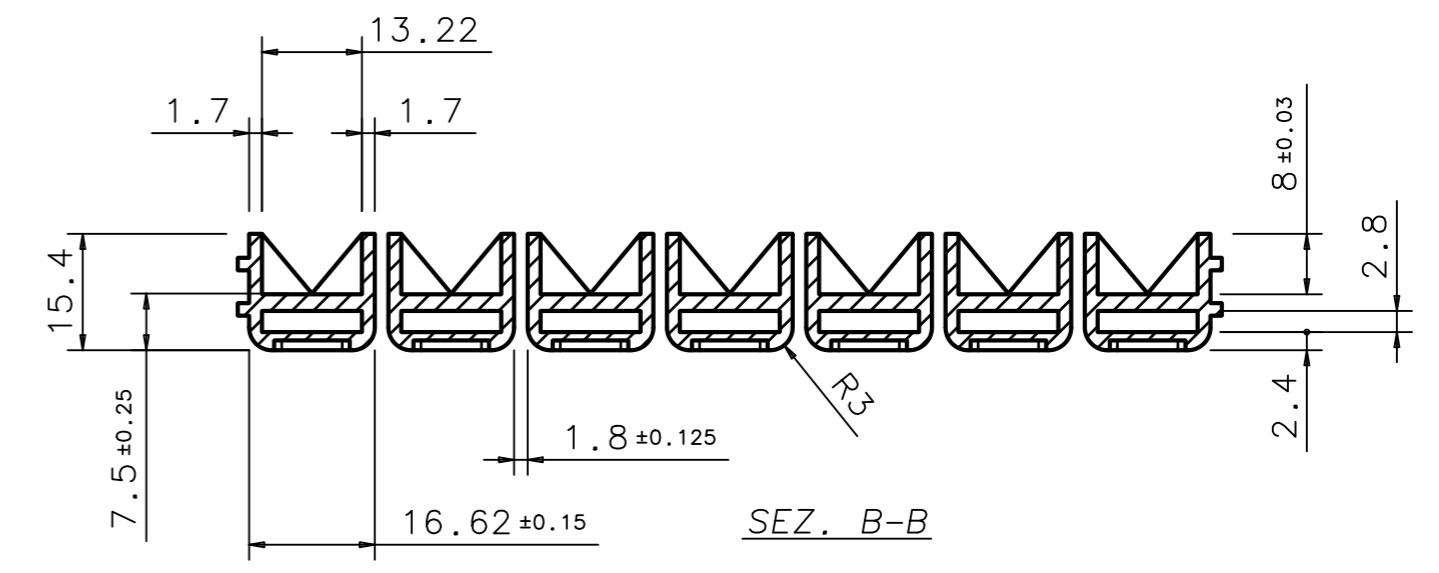
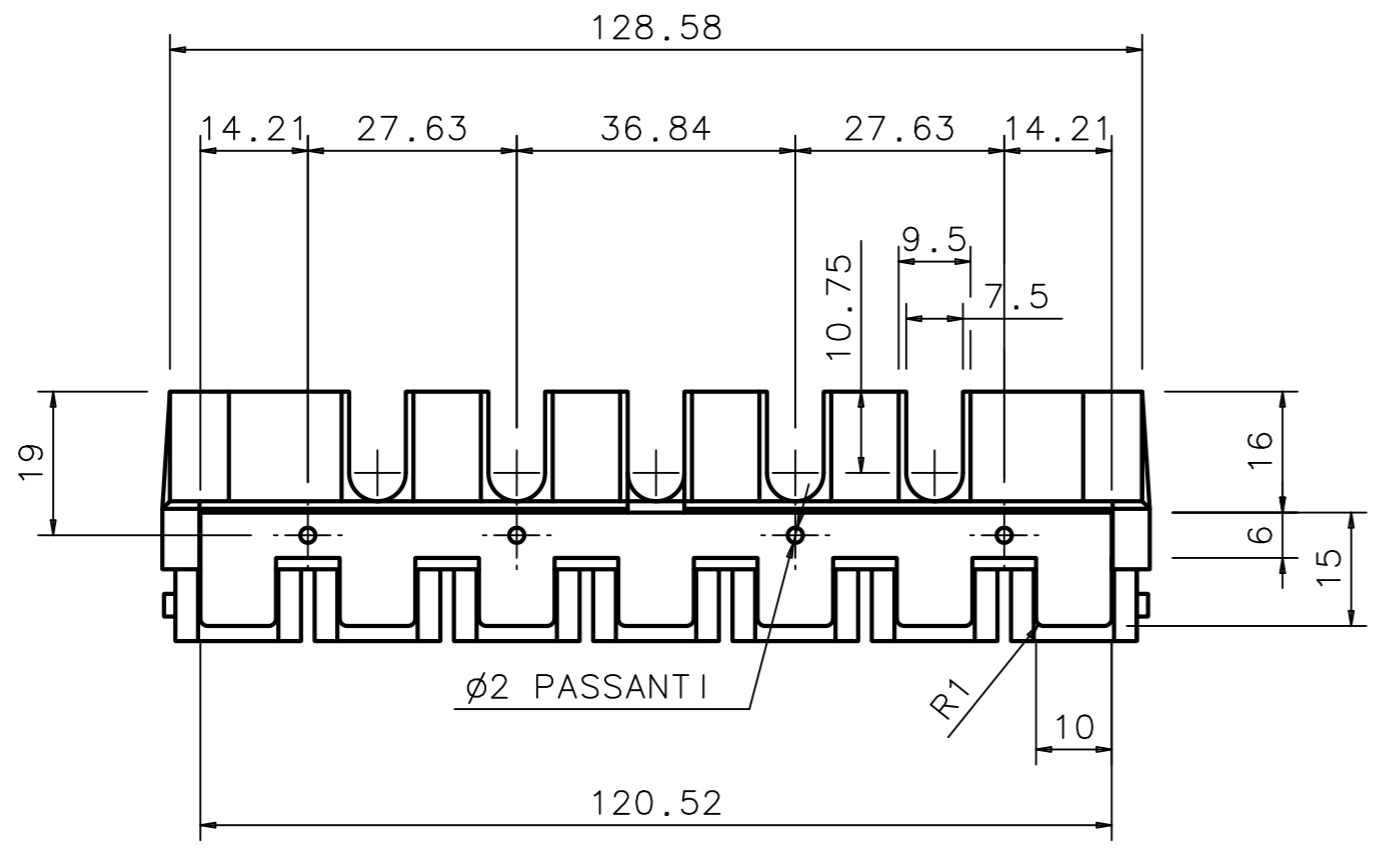


Mesures or expressed in:
 mm □ cm □ m □ in □ ft □

Rev.N	Revision note	Date	Signature



PART N.					DRAWING					MATERIAL					PORTABASETTE 7 CELLE					DENOMINATION					Q.TY				
Gen. Tol. for untoleranced dimensions: ISO 2768-mk-E										Geometrical tolerances: ISO 8015 - E										Roughness: ISO 1302									
										Istituto Nazionale di Fisica Nucleare Sezione di Ferrara										Designer FEDERICO EVANGELISTI					Via Scienze, 39 44100 - Ferrara Tel 0532974296 e-mail: evangelisti@fe.infn.it				
BaBar										Experiment/Project					Scale 1:1					Date 25/09/03					Document no. BABAR/PO-002MOD				
PORTABASETTE										Size A2					Sheet					File PO002MOD.pdf									