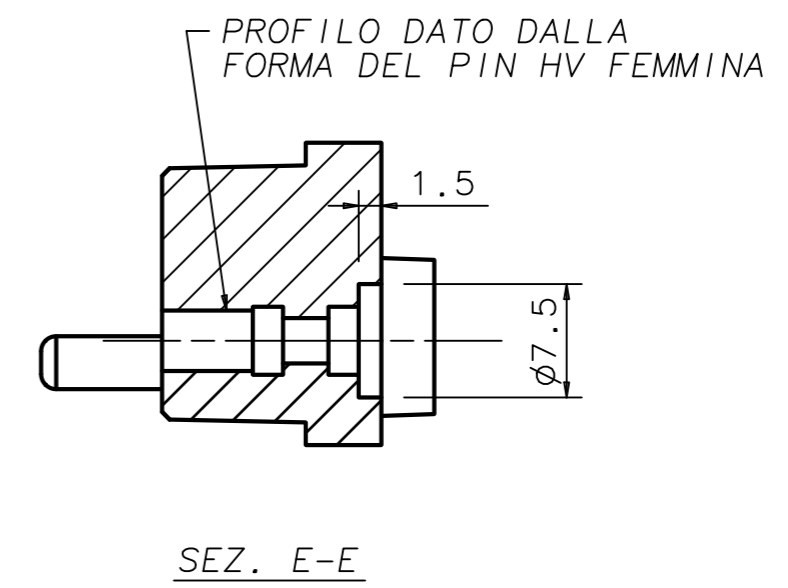
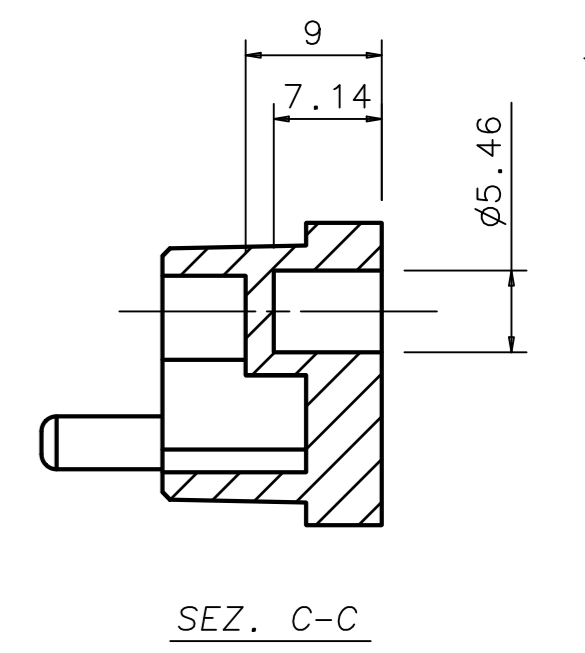
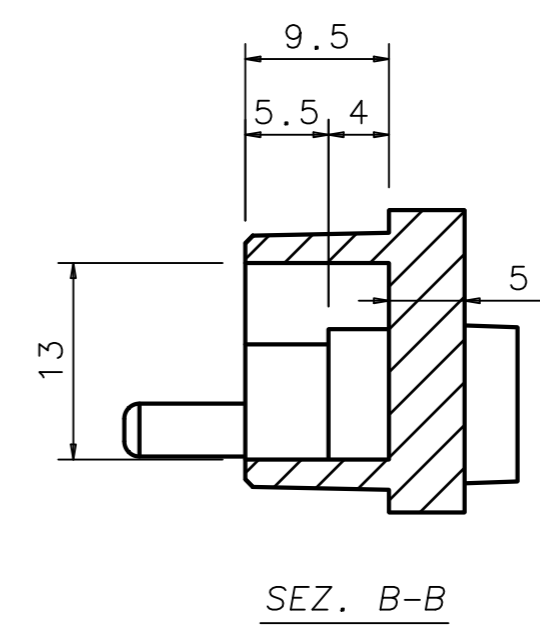
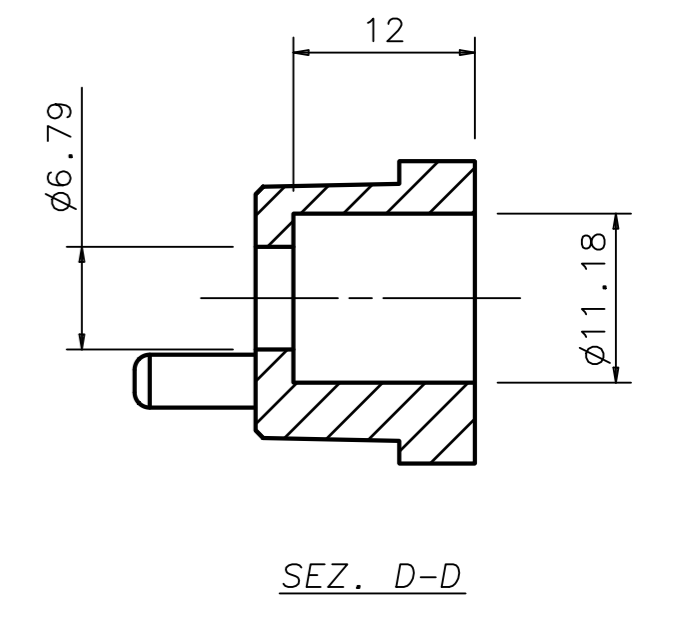
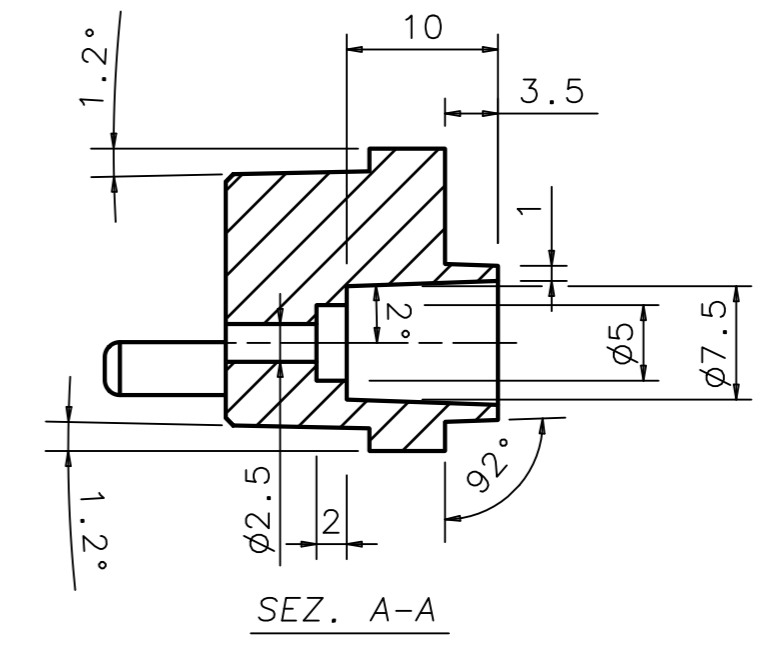
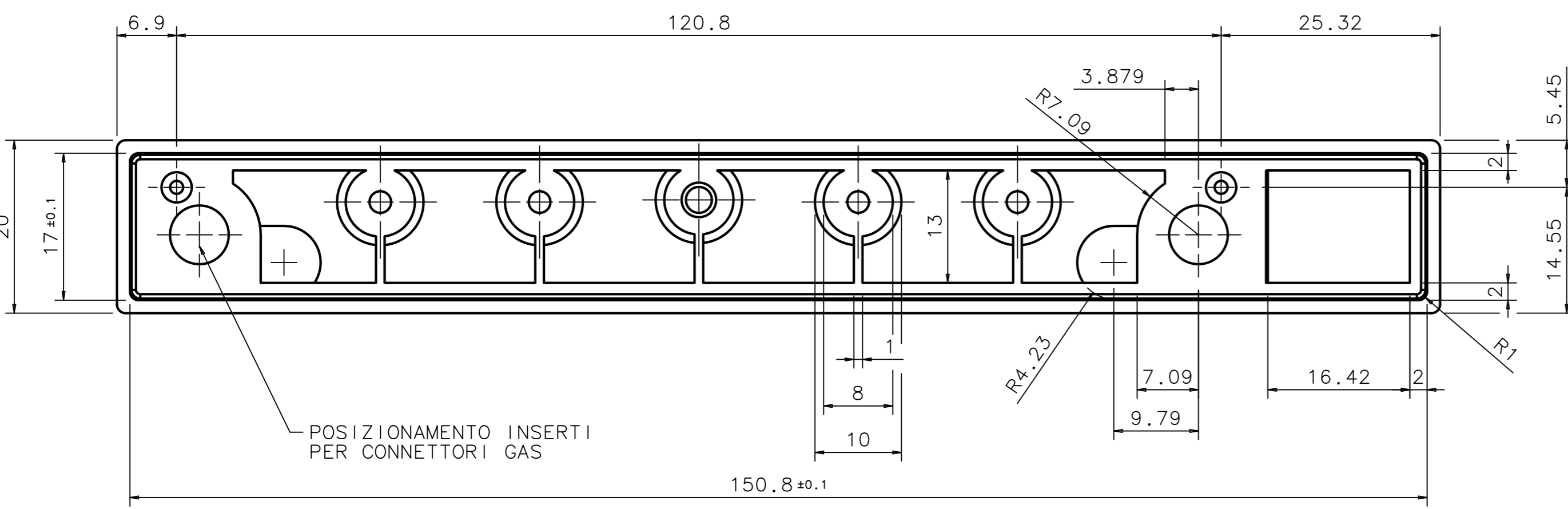
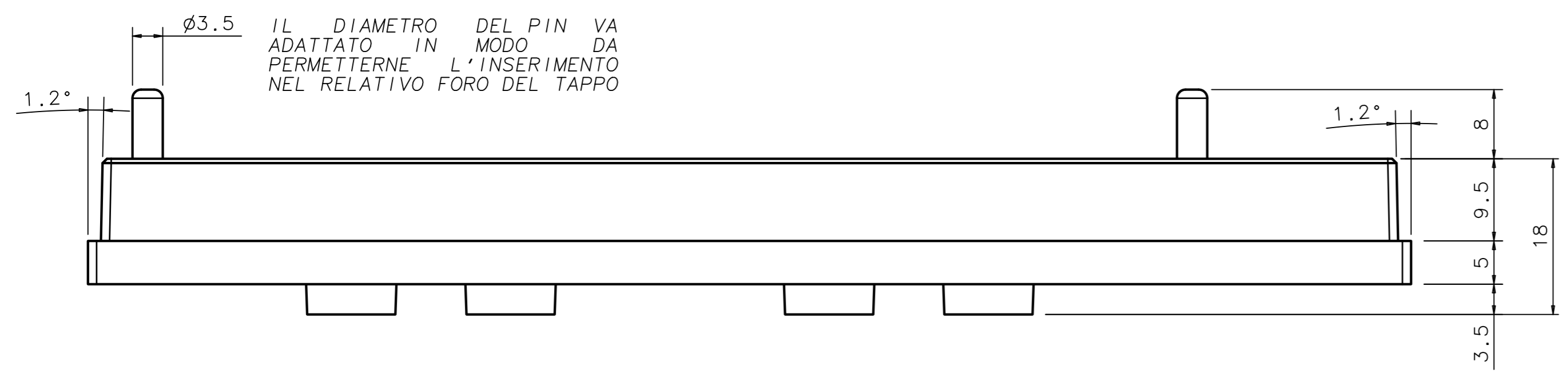
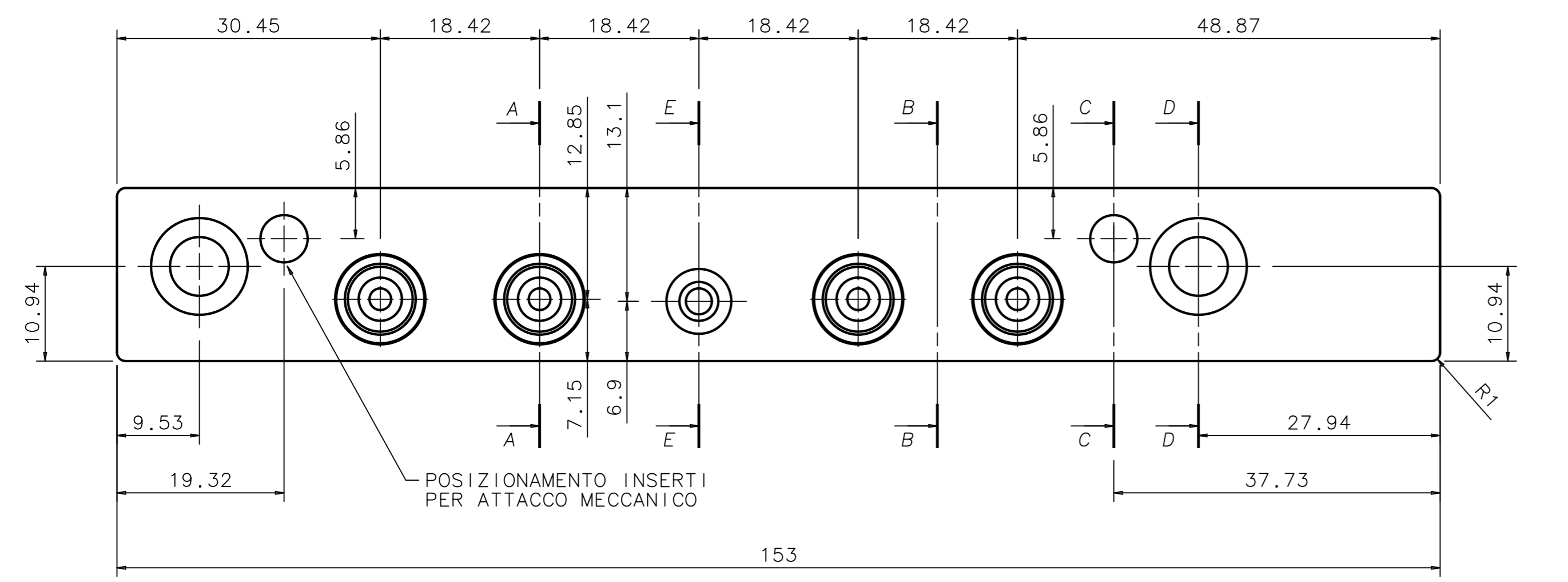


Mesures or expressed in:
 mm cm m in ft

Rev.N	Revision note	Date	Signature



TAPPO "A" 8 CELLE				
PART N.	DRAWING	MATERIAL	DENOMINATION	Q.TY
Gen. Tol. for untoleranced dimensions: ISO 2768-mk-E		Geometrical tolerances: ISO 8015 - E		Roughness: ISO 1302
Istituto Nazionale di Fisica Nucleare Sezione di Ferrara		Designer FEDERICO EVANGELISTI		Via Scienze, 39 44100 - Ferrara Tel 0532974296 e-mail: evangelisti@fe.infn.it
BaBar		Approved FEDERICO EVANGELISTI		Document no. BABAR/TA-001MOD02
Experiment/Project		Scale 2:1	Date 30/09/03	File TA001MOD02.pdf
Size A2		Sheet		Num. of Sheet
TAPPO "A" 8 CELLE				