

1

2

3

4

5

6

7

8

A

A

B

B

C

C

D

D

E

E

F

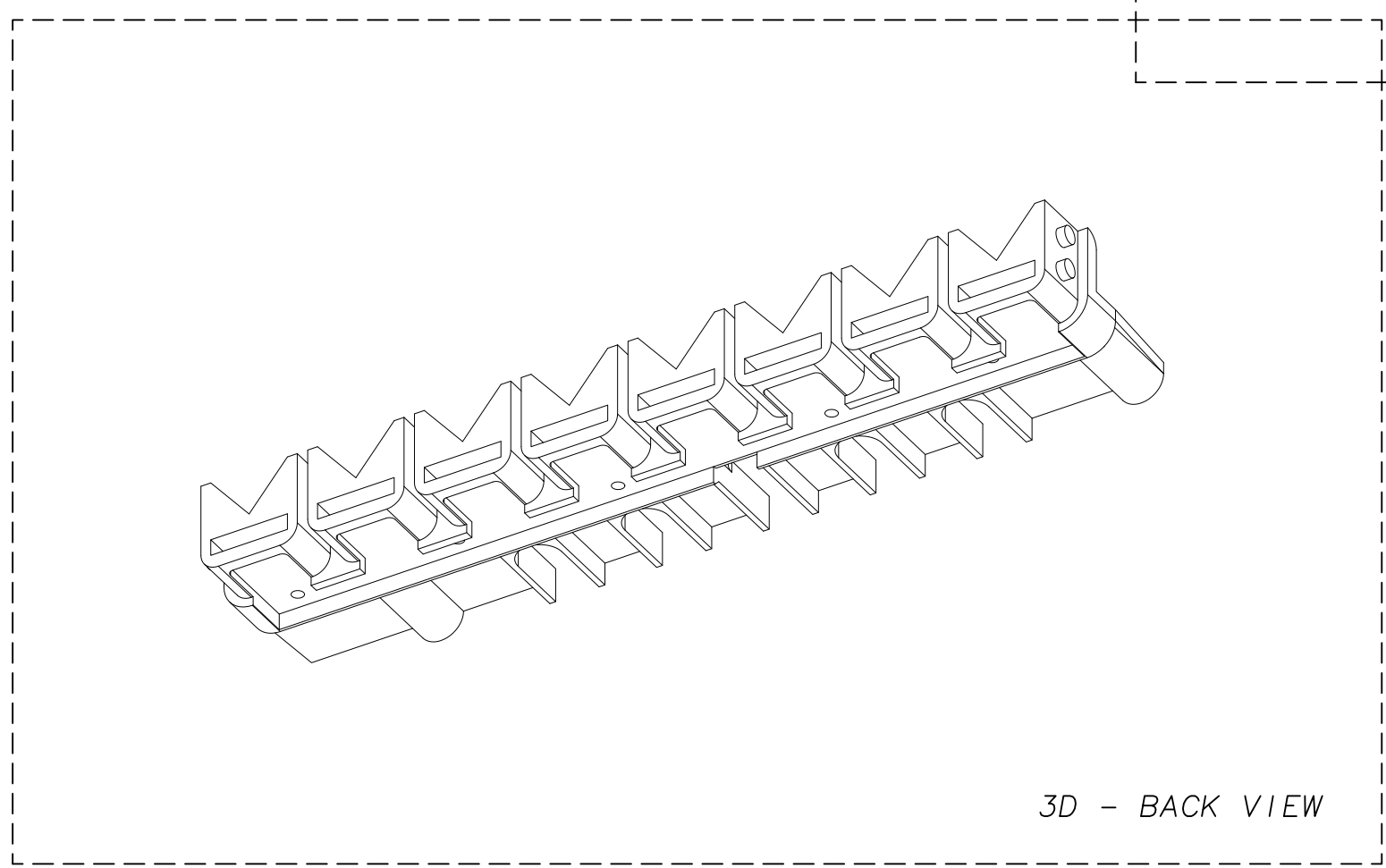
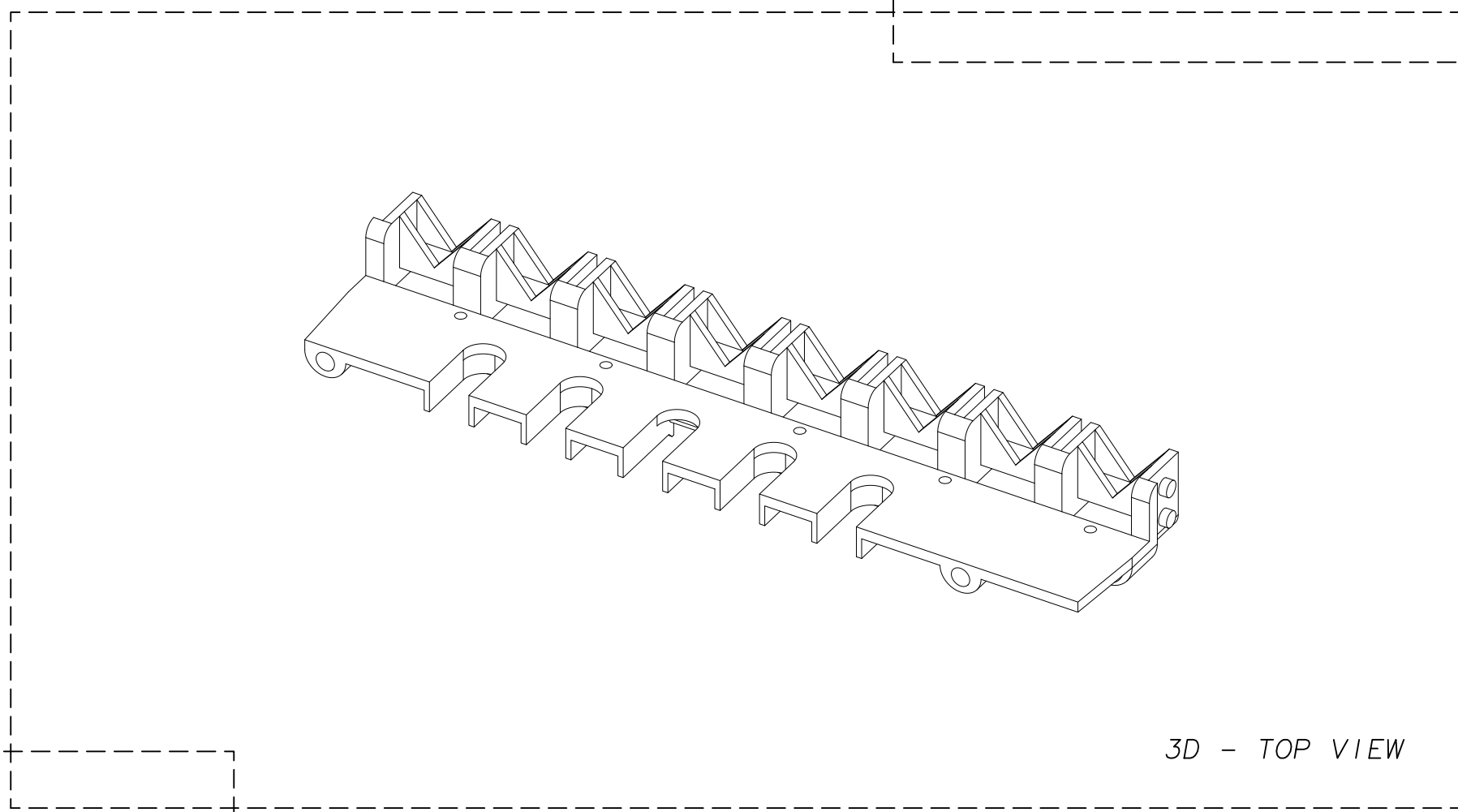
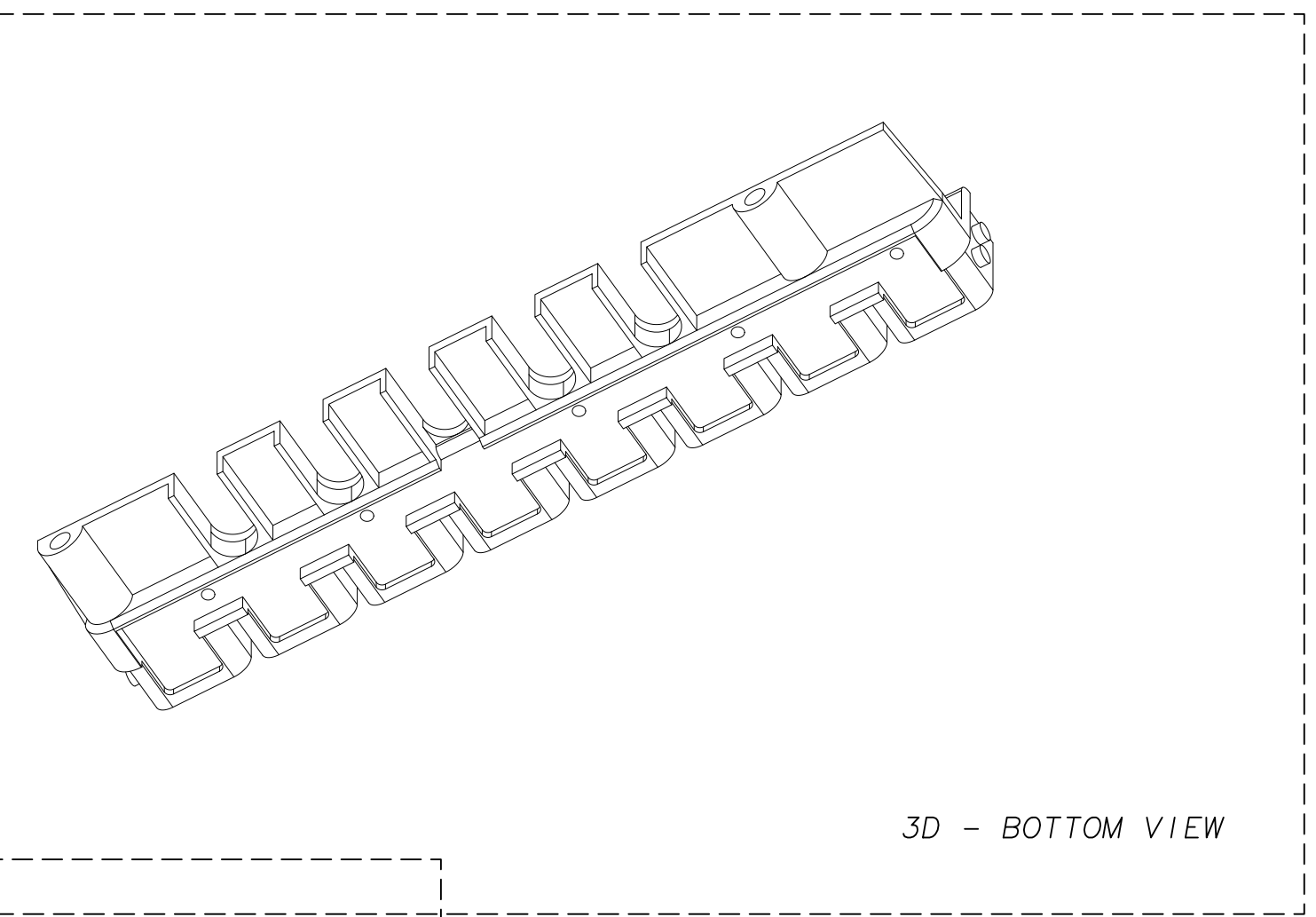
F

G

G

H

H



ITEM	CODE	DESCRIPTION			QTY NEED	MATERIAL SPECIFIC.
NOT DIMENSIONED CHAMFERS		ROUGHNESS Ra in MICROM		SURFACE A/O HEAT TREATING		
DATE	DRAWN	CHECKED	APPROVED	STANDARD VERIF.	DIMENSIONS WITHOUT TOLLERANCE SPECIFICATION	SCALE
SIGNATURE	03/07/03				Degree of accuracy UNI 5307	
				TITLE		MODIFICATION INDEX
				PORTABASETTE		1 6
				DWG N. BABAR/PO-000		2 7
				SIZE A2		3 8
						4 9
		5 10				

1

2

3

4

5

6

7

8