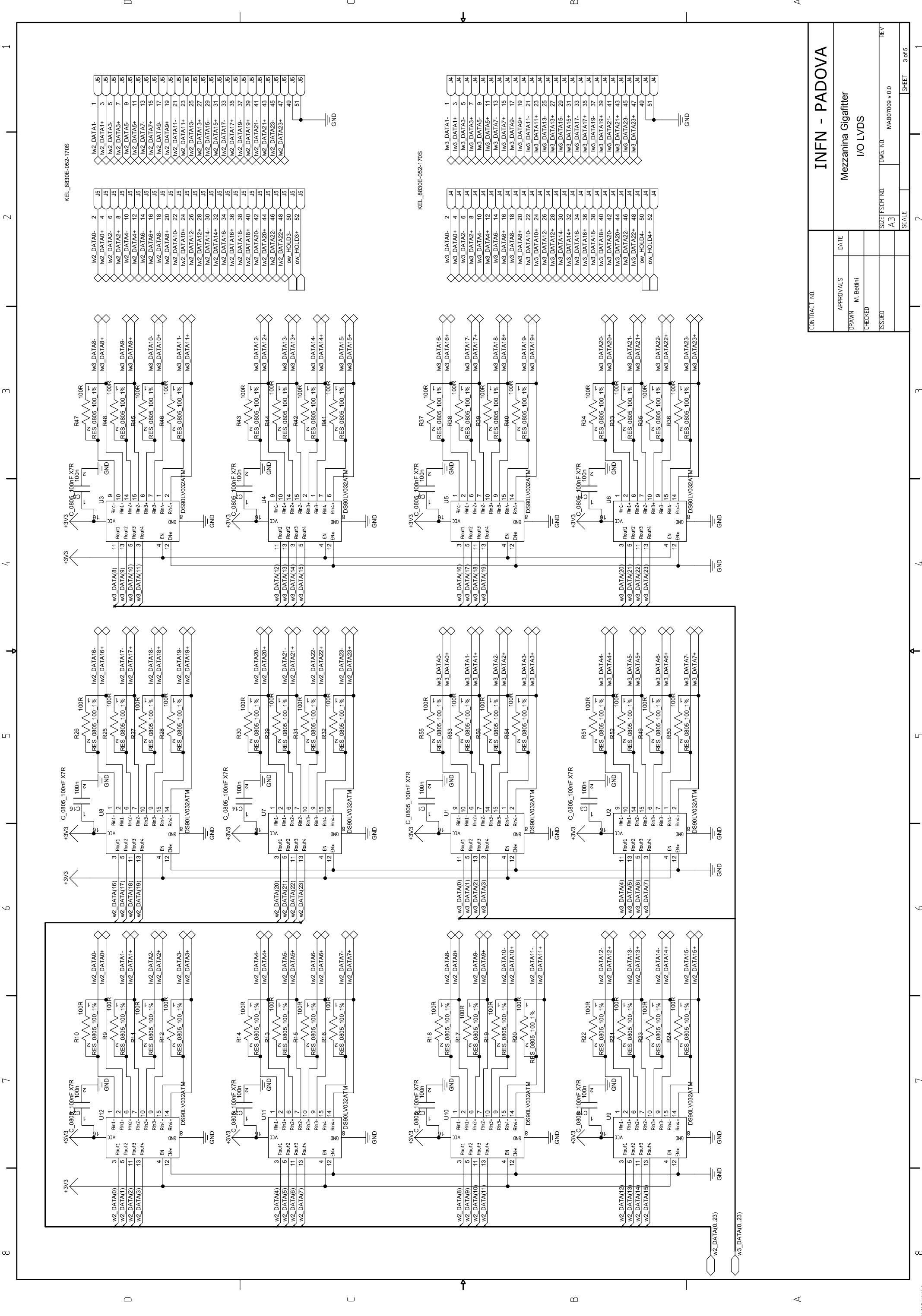


CONTRACT NO		INFN - PADOVA	
APPROVALS	DATE	Mezzanina Gigafitter	
DRAWN	M. Bellini	I/O LVDS	
CHECKED			
ISSUED			
SIZE/FSCM NO		DWG. NO. MAB07009 v 0.0	
SCALE		REV	
		1	
		2	
		3	
		4	
		5	
		6	
		7	
		8	



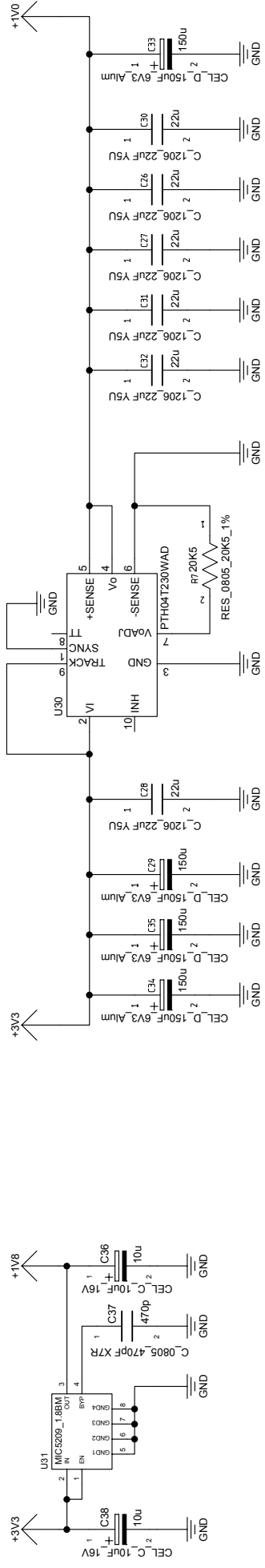
KEL_8830E-052-170S

KEL_8830E-052-170S

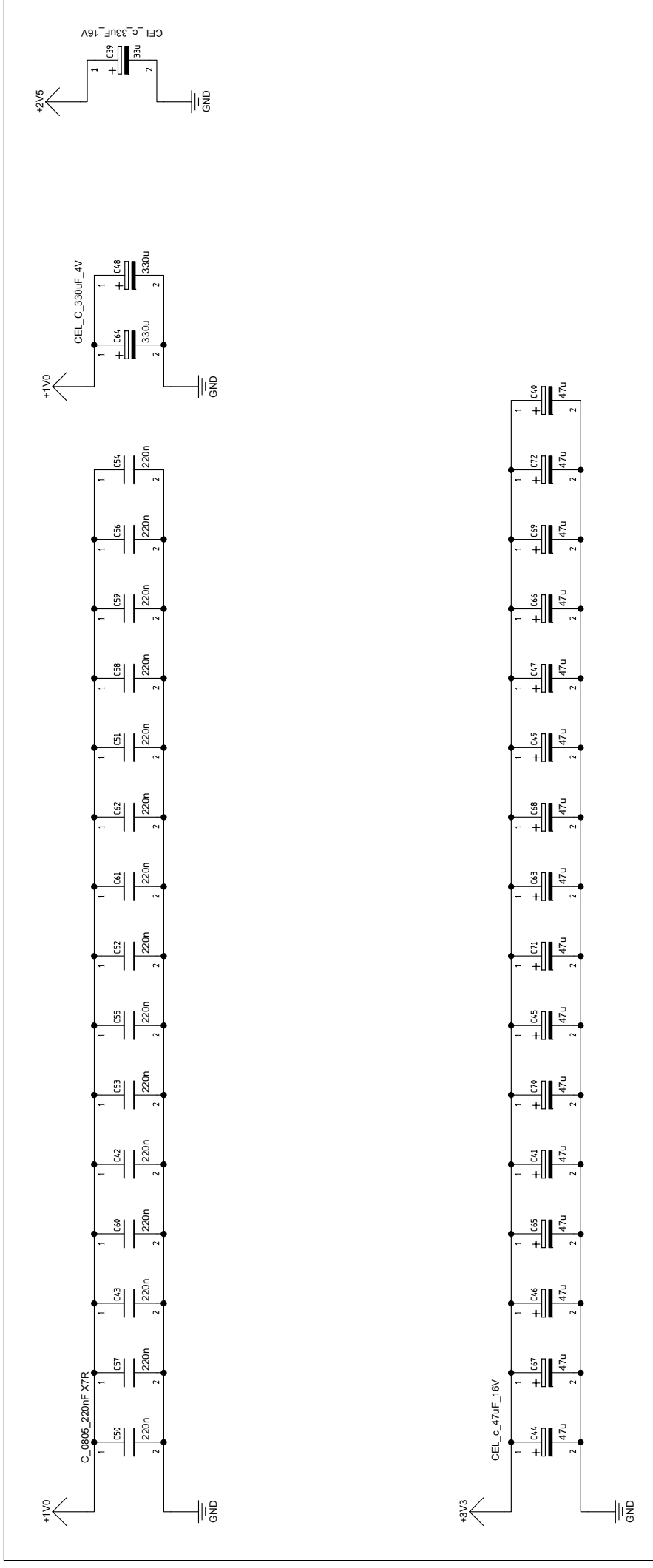
CONTRACT NO.		INFN - PADOVA	
APPROVALS	DATE	Mezzanina Gigafitter	
DRAWN	M. Bellini	I/O LVDS	
CHECKED			
ISSUED			
		SIZE/FSCM NO.	DWG. NO.
		A3	MA607009 v 0.0
		SCALE	SHEET
			3 of 5

1 2 3 4 5 6 7 8

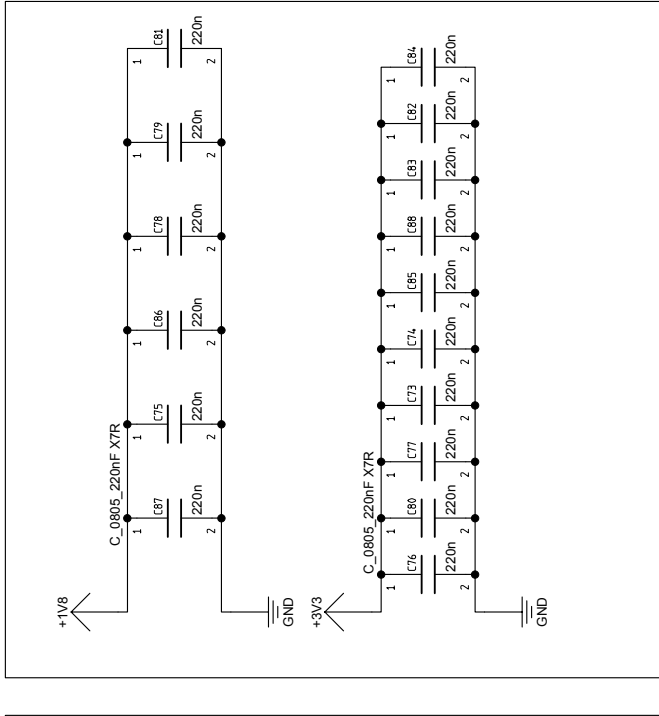
1 2 3 4 5 6 7 8



FPGA BYPASS CAPACITORS



EPROM BYPASS CAPACITORS



CONTRACT NO.		INFN - PADOVA	
APPROVALS	DATE	Mezzanina Gigafitter	
DRAWN	M. Bellini	Supply and Bypass capacitors	
CHECKED			
ISSUED			
SIZE/FSCM NO.		DWG. NO.	
A3		MAG0709 v.0.0	
SCALE		SHEET	
		4 of 5	