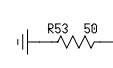


A	1	PRE_IN1_CIS1	1uF	PRE_IN7_CIS7	1uF
	2	PRE_IN2_CIS2	1uF	PRE_IN8_CIS8	1uF
	3	PRE_IN3_CIS3	1uF	PRE_IN9_CIS9	1uF
	4	PRE_IN4_CIS4	1uF	PRE_IN10_CIS10	1uF
	5	PRE_IN5_CIS5	1uF	PRE_IN11_CIS11	1uF
	6	PRE_IN6_CIS6	1uF	PRE_IN12_CIS12	1uF
B	1	PRE_IN13_CIS13	1uF	PRE_IN13_CIS13	1uF
	2	PRE_IN14_CIS14	1uF	PRE_IN14_CIS14	1uF
	3	PRE_IN15_CIS15	1uF	PRE_IN15_CIS15	1uF
	4	PRE_IN16_CIS16	1uF	PRE_IN16_CIS16	1uF
	5	PRE_IN17_CIS17	1uF	PRE_IN17_CIS17	1uF
	6	PRE_IN18_CIS18	1uF	PRE_IN18_CIS18	1uF
	7	PRE_IN19_CIS19	1uF	PRE_IN19_CIS19	1uF
	8	PRE_IN20_CIS20	1uF	PRE_IN20_CIS20	1uF
C	1	PRE_IN21_CIS21	1uF	PRE_IN21_CIS21	1uF
	2	PRE_IN22_CIS22	1uF	PRE_IN22_CIS22	1uF
	3	PRE_IN23_CIS23	1uF	PRE_IN23_CIS23	1uF
	4	PRE_IN24_CIS24	1uF	PRE_IN24_CIS24	1uF
	5	PRE_IN25_CIS25	1uF	PRE_IN25_CIS25	1uF
	6	PRE_IN26_CIS26	1uF	PRE_IN26_CIS26	1uF
	7	PRE_IN27_CIS27	1uF	PRE_IN27_CIS27	1uF
	8	PRE_IN28_CIS28	1uF	PRE_IN28_CIS28	1uF
D	1	PRE_IN29_CIS29	1uF	PRE_IN29_CIS29	1uF
	2	PRE_IN30_CIS30	1uF	PRE_IN30_CIS30	1uF
	3	PRE_IN31_CIS31	1uF	PRE_IN31_CIS31	1uF
	4	PRE_IN32_CIS32	1uF	PRE_IN32_CIS32	1uF
	5	PRE_IN33_CIS33	1uF	PRE_IN33_CIS33	1uF
	6	PRE_IN34_CIS34	1uF	PRE_IN34_CIS34	1uF
	7	PRE_IN35_CIS35	1uF	PRE_IN35_CIS35	1uF
	8	PRE_IN36_CIS36	1uF	PRE_IN36_CIS36	1uF
E	1	PRE_IN37_CIS37	1uF	PRE_IN37_CIS37	1uF
F	1	PD00		PD00	
	2	PD01		PD01	
	3	PD02		PD02	
	4	PD03		PD03	
	5	PD04		PD04	
	6	PD05		PD05	
	7	PD06		PD06	
	8	PD07		PD07	
	9	PD08		PD08	
	10	PD09		PD09	
	11	PD10		PD10	
	12	PD11		PD11	
	13	PD12		PD12	
	14	PD13		PD13	
	15	PD14		PD14	
	16	PD15		PD15	
	17	PD16		PD16	
	18	PD17		PD17	
	19	PD18		PD18	
	20	PD19		PD19	
	21	PD20		PD20	
	22	PD21		PD21	
	23	PD22		PD22	
	24	PD23		PD23	
	25	PD24		PD24	
	26	PD25		PD25	
	27	PD26		PD26	
	28	PD27		PD27	
	29	PD28		PD28	
	30	PD29		PD29	
	31	PD30		PD30	
	32	PD31		PD31	
	33	PD32		PD32	
	34	PD33		PD33	
	35	PD34		PD34	
	36	PD35		PD35	
	37	PD36		PD36	
	38	PD37		PD37	

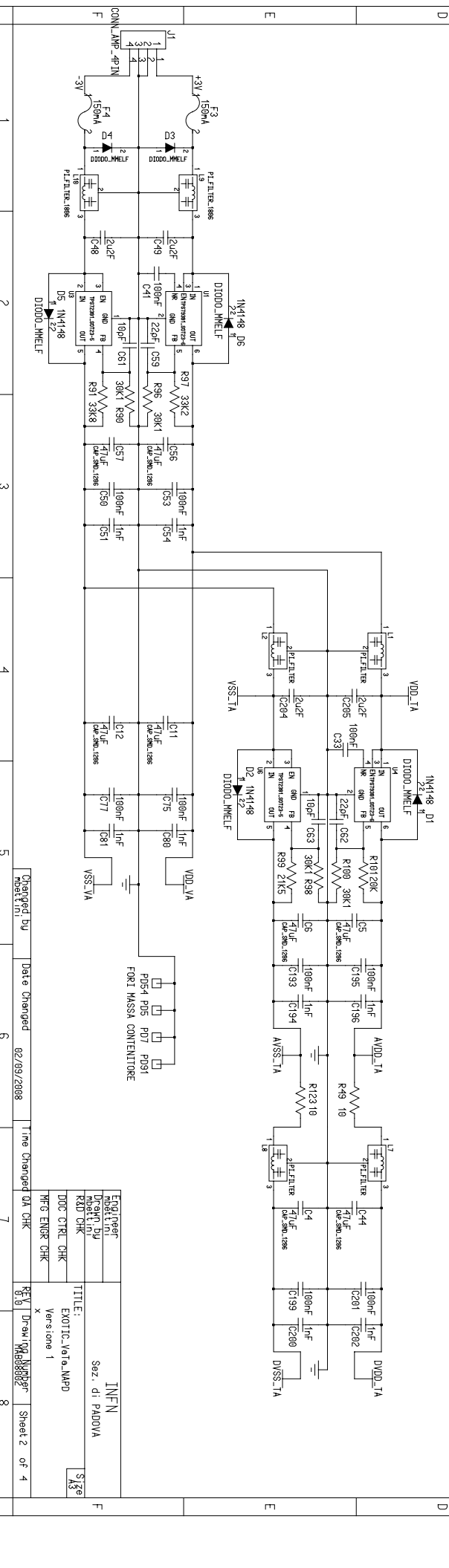
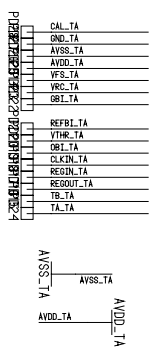
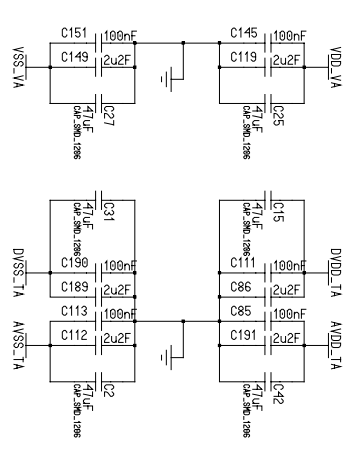
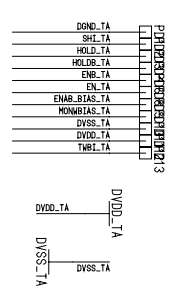
Changed by: [Signature] Date Changed: 02/09/2008 Title Changed: DA\_CHK



ENG/serf	INFN
Drawn By	Sez. di PA00VA
Rev. 1	
Rev. 2	
Rev. 3	
Rev. 4	
Rev. 5	
Rev. 6	
Rev. 7	
Rev. 8	
Rev. 9	
Rev. 10	
Rev. 11	
Rev. 12	
Rev. 13	
Rev. 14	
Rev. 15	
Rev. 16	
Rev. 17	
Rev. 18	
Rev. 19	
Rev. 20	
Rev. 21	
Rev. 22	
Rev. 23	
Rev. 24	
Rev. 25	
Rev. 26	
Rev. 27	
Rev. 28	
Rev. 29	
Rev. 30	
Rev. 31	
Rev. 32	
Rev. 33	
Rev. 34	
Rev. 35	
Rev. 36	
Rev. 37	
Rev. 38	
Rev. 39	
Rev. 40	
Rev. 41	
Rev. 42	
Rev. 43	
Rev. 44	
Rev. 45	
Rev. 46	
Rev. 47	
Rev. 48	
Rev. 49	
Rev. 50	
Rev. 51	
Rev. 52	
Rev. 53	
Rev. 54	
Rev. 55	
Rev. 56	
Rev. 57	
Rev. 58	
Rev. 59	
Rev. 60	
Rev. 61	
Rev. 62	
Rev. 63	
Rev. 64	
Rev. 65	
Rev. 66	
Rev. 67	
Rev. 68	
Rev. 69	
Rev. 70	
Rev. 71	
Rev. 72	
Rev. 73	
Rev. 74	
Rev. 75	
Rev. 76	
Rev. 77	
Rev. 78	
Rev. 79	
Rev. 80	
Rev. 81	
Rev. 82	
Rev. 83	
Rev. 84	
Rev. 85	
Rev. 86	
Rev. 87	
Rev. 88	
Rev. 89	
Rev. 90	
Rev. 91	
Rev. 92	
Rev. 93	
Rev. 94	
Rev. 95	
Rev. 96	
Rev. 97	
Rev. 98	
Rev. 99	
Rev. 100	

1	2	3	4	5	6	7	8
---	---	---	---	---	---	---	---

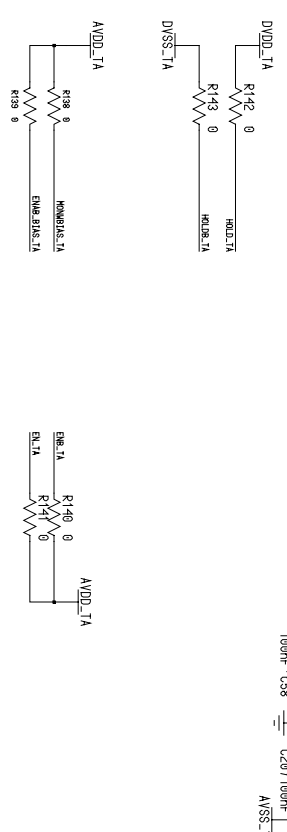
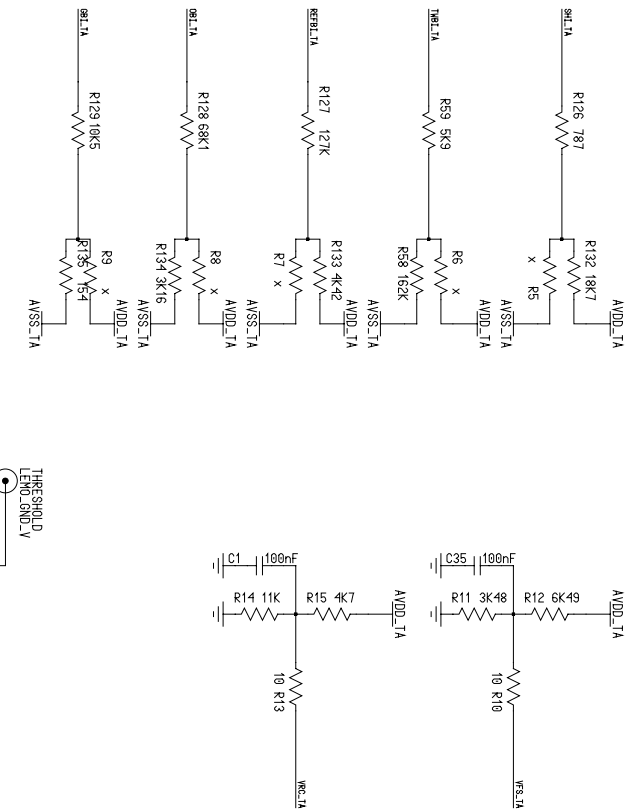
PJ05	PRE_IN0
PJ06	PRE_IN1
PJ07	PRE_IN2
PJ08	PRE_IN3
PJ09	PRE_IN4
PJ10	PRE_IN5
PJ11	PRE_IN6
PJ12	PRE_IN7
PJ13	PRE_IN8
PJ14	PRE_IN9
PJ15	PRE_IN10
PJ16	PRE_IN11
PJ17	PRE_IN12
PJ18	PRE_IN13
PJ19	PRE_IN14
PJ20	PRE_IN15
PJ21	PRE_IN16
PJ22	PRE_IN17
PJ23	PRE_IN18
PJ24	PRE_IN19
PJ25	PRE_IN20
PJ26	PRE_IN21
PJ27	PRE_IN22
PJ28	PRE_IN23
PJ29	PRE_IN24
PJ30	PRE_IN25
PJ31	PRE_IN26
PJ32	PRE_IN27
PJ33	PRE_IN28
PJ34	PRE_IN29
PJ35	PRE_IN30
PJ36	PRE_IN31
PJ37	PRE_IN32
PJ38	PRE_IN33
PJ39	PRE_IN34
PJ40	PRE_IN35
PJ41	PRE_IN36
PJ42	PRE_IN37
PJ43	PRE_IN38
PJ44	PRE_IN39
PJ45	PRE_IN40
PJ46	PRE_IN41
PJ47	PRE_IN42
PJ48	PRE_IN43
PJ49	PRE_IN44
PJ50	PRE_IN45
PJ51	PRE_IN46
PJ52	PRE_IN47
PJ53	PRE_IN48
PJ54	PRE_IN49
PJ55	PRE_IN50
PJ56	PRE_IN51
PJ57	PRE_IN52
PJ58	PRE_IN53
PJ59	PRE_IN54
PJ60	PRE_IN55
PJ61	PRE_IN56
PJ62	PRE_IN57
PJ63	PRE_IN58
PJ64	PRE_IN59
PJ65	PRE_IN60
PJ66	PRE_IN61
PJ67	PRE_IN62
PJ68	PRE_IN63
PJ69	PRE_IN64
PJ70	PRE_IN65
PJ71	PRE_IN66
PJ72	PRE_IN67
PJ73	PRE_IN68
PJ74	PRE_IN69
PJ75	PRE_IN70
PJ76	PRE_IN71
PJ77	PRE_IN72
PJ78	PRE_IN73
PJ79	PRE_IN74
PJ80	PRE_IN75
PJ81	PRE_IN76
PJ82	PRE_IN77
PJ83	PRE_IN78
PJ84	PRE_IN79
PJ85	PRE_IN80
PJ86	PRE_IN81
PJ87	PRE_IN82
PJ88	PRE_IN83
PJ89	PRE_IN84
PJ90	PRE_IN85
PJ91	PRE_IN86
PJ92	PRE_IN87
PJ93	PRE_IN88
PJ94	PRE_IN89
PJ95	PRE_IN90
PJ96	PRE_IN91
PJ97	PRE_IN92
PJ98	PRE_IN93
PJ99	PRE_IN94
PJ00	PRE_IN95



ENG/OPER	INFN
DRWN BY	Sez. di PADOVA
RDY/CHK	
DDC CTRL CHK	TITLE: EXOTIC_V1ta-MPD
MFG ENGR CHK	Versione 1
REV	REFY Drawng Number
	0.0
	14388002
	Sheet 2 of 4

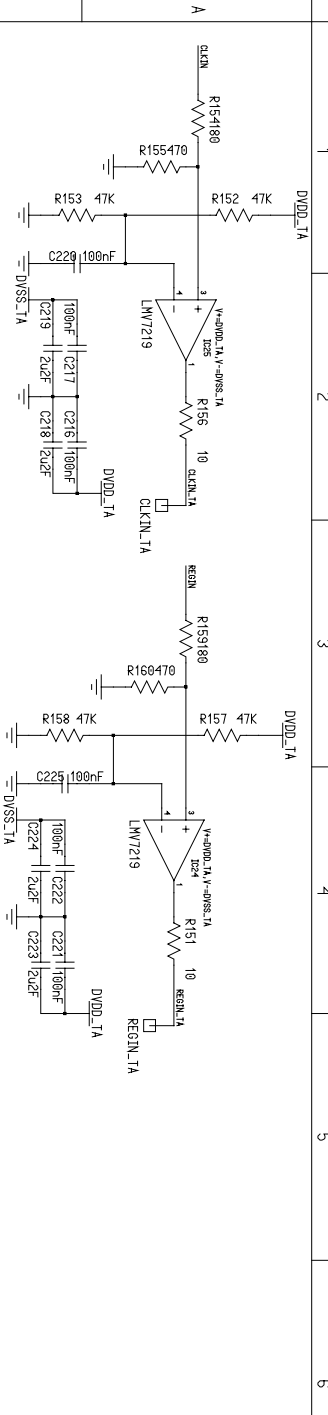
Changed by Date Changed 02/09/2008 Time Changed DA CHK

1	2	3	4	5	6	7	8
A							A
B							B
C							C
D			VA ANALOG OUTPUT VA BIAS	TA BIAS			D
E							E
F							F

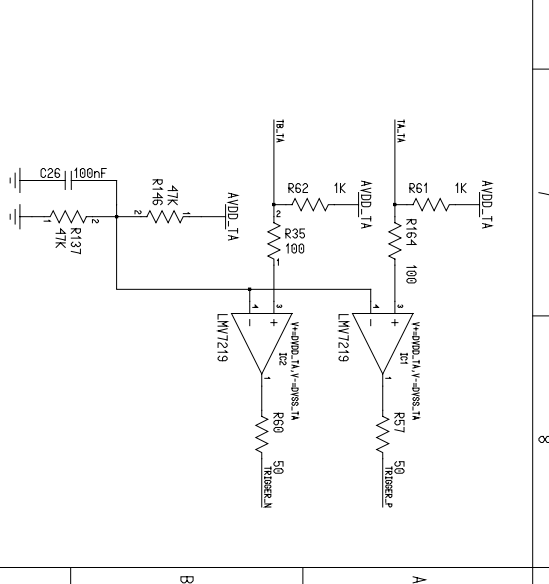


Changed by Robert.M. Date Changed 02/09/2008 Time Changed DA CHK

ENG/Peer	INFN
Drawn by	Sez. di PADOVA
Robert.M.	
RAD CHK	
DDC CTRL CHK	TITLE: EXOTIC_VaTa_MPD
MFG ENGR CHK	Versione 1
REV 0	Drawn/Checked Number
0	14388002
	Sheet 3 of 4

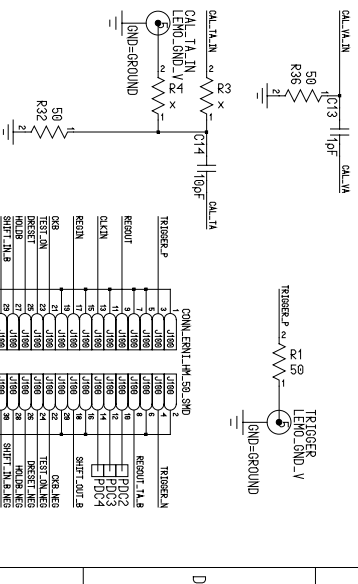


VA CONVERTERS

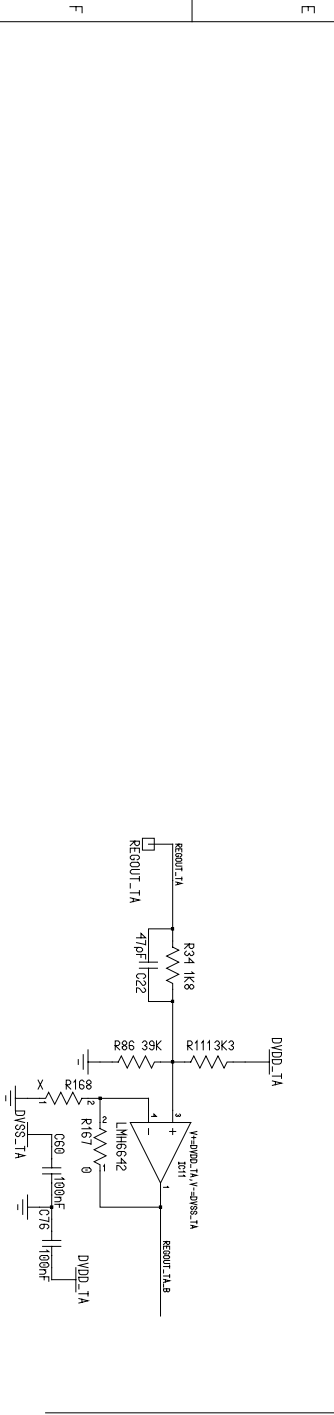


TA CONVERTERS

DIGITAL I/O



CONNECTION	REF	VALUE	TYPE	LOC
TRIGGER_P	5	50	RES	U108
TRIGGER_P	6	10	CAP	U108
RESOUT_TA_B	7	100	RES	U108
RESOUT_TA_B	8	100	RES	U108
RESOUT_TA_B	9	100	RES	U108
RESOUT_TA_B	10	100	RES	U108
RESOUT_TA_B	11	100	RES	U108
RESOUT_TA_B	12	100	RES	U108
RESOUT_TA_B	13	100	RES	U108
RESOUT_TA_B	14	100	RES	U108
RESOUT_TA_B	15	100	RES	U108
RESOUT_TA_B	16	100	RES	U108
RESOUT_TA_B	17	100	RES	U108
RESOUT_TA_B	18	100	RES	U108
RESOUT_TA_B	19	100	RES	U108
RESOUT_TA_B	20	100	RES	U108
RESOUT_TA_B	21	100	RES	U108
RESOUT_TA_B	22	100	RES	U108
RESOUT_TA_B	23	100	RES	U108
RESOUT_TA_B	24	100	RES	U108
RESOUT_TA_B	25	100	RES	U108
RESOUT_TA_B	26	100	RES	U108
RESOUT_TA_B	27	100	RES	U108
RESOUT_TA_B	28	100	RES	U108
RESOUT_TA_B	29	100	RES	U108
RESOUT_TA_B	30	100	RES	U108
RESOUT_TA_B	31	100	RES	U108
RESOUT_TA_B	32	100	RES	U108
RESOUT_TA_B	33	100	RES	U108
RESOUT_TA_B	34	100	RES	U108
RESOUT_TA_B	35	100	RES	U108
RESOUT_TA_B	36	100	RES	U108
RESOUT_TA_B	37	100	RES	U108
RESOUT_TA_B	38	100	RES	U108
RESOUT_TA_B	39	100	RES	U108
RESOUT_TA_B	40	100	RES	U108
RESOUT_TA_B	41	100	RES	U108
RESOUT_TA_B	42	100	RES	U108
RESOUT_TA_B	43	100	RES	U108
RESOUT_TA_B	44	100	RES	U108
RESOUT_TA_B	45	100	RES	U108
RESOUT_TA_B	46	100	RES	U108
RESOUT_TA_B	47	100	RES	U108
RESOUT_TA_B	48	100	RES	U108
RESOUT_TA_B	49	100	RES	U108
RESOUT_TA_B	50	100	RES	U108
RESOUT_TA_B	51	100	RES	U108
RESOUT_TA_B	52	100	RES	U108
RESOUT_TA_B	53	100	RES	U108
RESOUT_TA_B	54	100	RES	U108
RESOUT_TA_B	55	100	RES	U108
RESOUT_TA_B	56	100	RES	U108
RESOUT_TA_B	57	100	RES	U108
RESOUT_TA_B	58	100	RES	U108
RESOUT_TA_B	59	100	RES	U108
RESOUT_TA_B	60	100	RES	U108
RESOUT_TA_B	61	100	RES	U108
RESOUT_TA_B	62	100	RES	U108
RESOUT_TA_B	63	100	RES	U108
RESOUT_TA_B	64	100	RES	U108
RESOUT_TA_B	65	100	RES	U108
RESOUT_TA_B	66	100	RES	U108
RESOUT_TA_B	67	100	RES	U108
RESOUT_TA_B	68	100	RES	U108
RESOUT_TA_B	69	100	RES	U108
RESOUT_TA_B	70	100	RES	U108
RESOUT_TA_B	71	100	RES	U108
RESOUT_TA_B	72	100	RES	U108
RESOUT_TA_B	73	100	RES	U108
RESOUT_TA_B	74	100	RES	U108
RESOUT_TA_B	75	100	RES	U108
RESOUT_TA_B	76	100	RES	U108
RESOUT_TA_B	77	100	RES	U108
RESOUT_TA_B	78	100	RES	U108
RESOUT_TA_B	79	100	RES	U108
RESOUT_TA_B	80	100	RES	U108
RESOUT_TA_B	81	100	RES	U108
RESOUT_TA_B	82	100	RES	U108
RESOUT_TA_B	83	100	RES	U108
RESOUT_TA_B	84	100	RES	U108
RESOUT_TA_B	85	100	RES	U108
RESOUT_TA_B	86	100	RES	U108
RESOUT_TA_B	87	100	RES	U108
RESOUT_TA_B	88	100	RES	U108
RESOUT_TA_B	89	100	RES	U108
RESOUT_TA_B	90	100	RES	U108
RESOUT_TA_B	91	100	RES	U108
RESOUT_TA_B	92	100	RES	U108
RESOUT_TA_B	93	100	RES	U108
RESOUT_TA_B	94	100	RES	U108
RESOUT_TA_B	95	100	RES	U108
RESOUT_TA_B	96	100	RES	U108
RESOUT_TA_B	97	100	RES	U108
RESOUT_TA_B	98	100	RES	U108
RESOUT_TA_B	99	100	RES	U108
RESOUT_TA_B	100	100	RES	U108



1 2 3 4 5 6 7 8

Changed by Date Changed 02/09/2008 Time Changed 0A CHK

ENG: [ ]  
 Drawn By: [ ]  
 Rtd: [ ]  
 DDC: [ ]  
 MFG: [ ]

INFN  
 Sez. di PADOVA  
 EKOITC-VIsta-MPD  
 Versione 1

REV: [ ]  
 Draw: [ ]  
 Number: [ ]  
 Sheet: 4 of 4