

8

7

6

5

4

3

2

1

D

D

C

C

B

B

A

A

CONTRACT NO.		INFN - PADOVA	
APPROVALS	DATE		
DRAWN		SCALE	
CHECKED			
ISSUED		SIZE	FSCM NO.
		A3	DWG. NO.
			REV
			SHEET

8

7

6

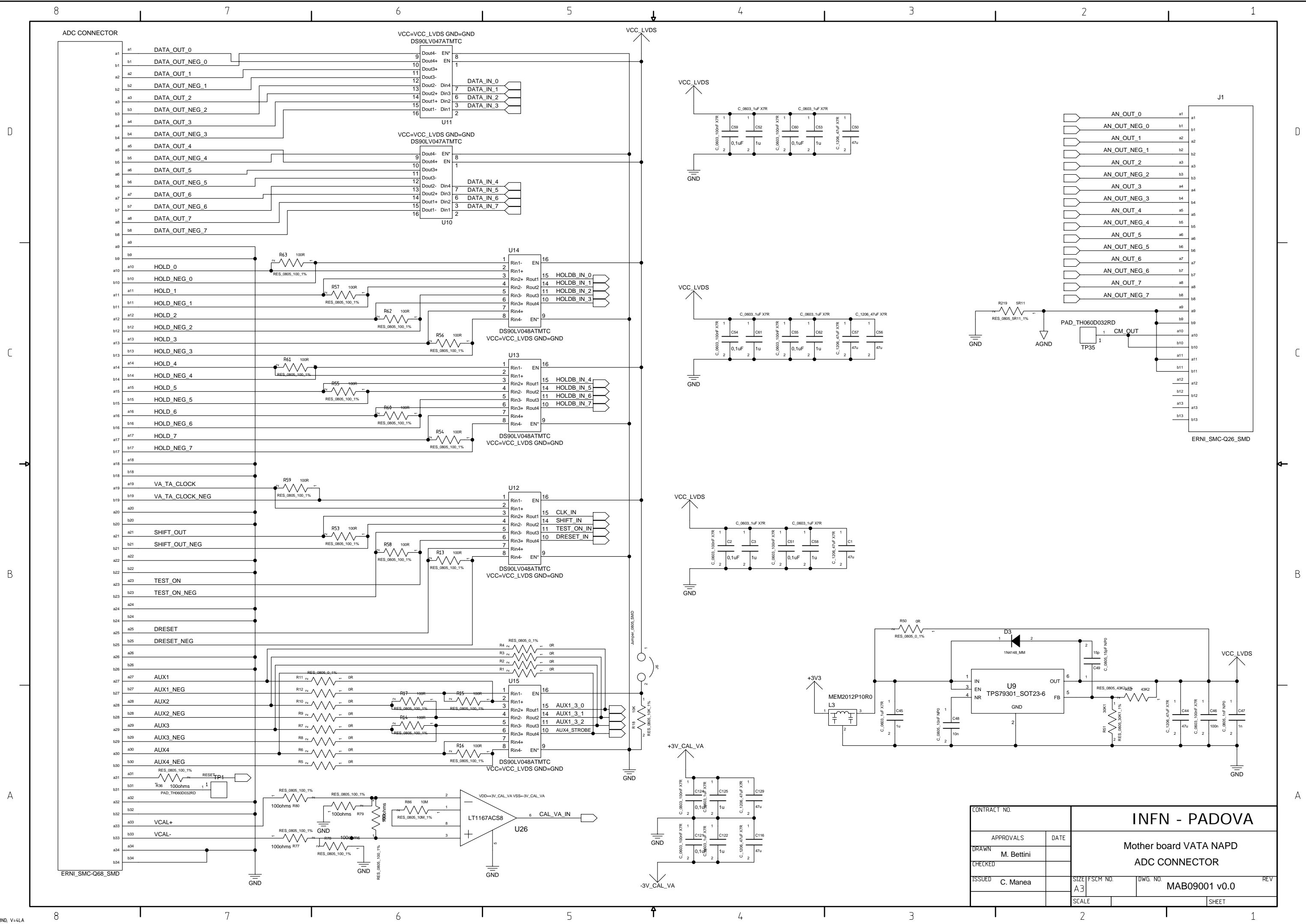
5

4

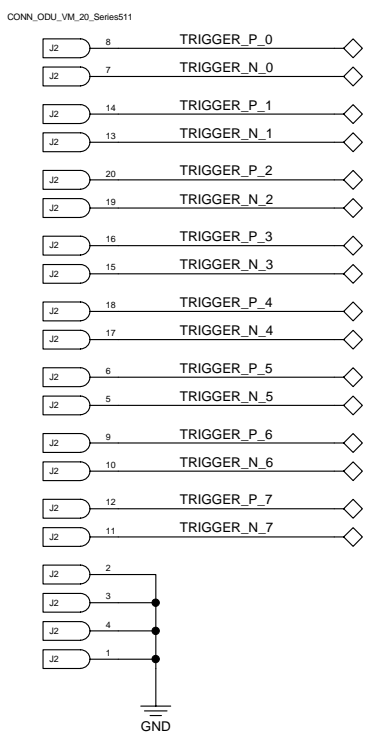
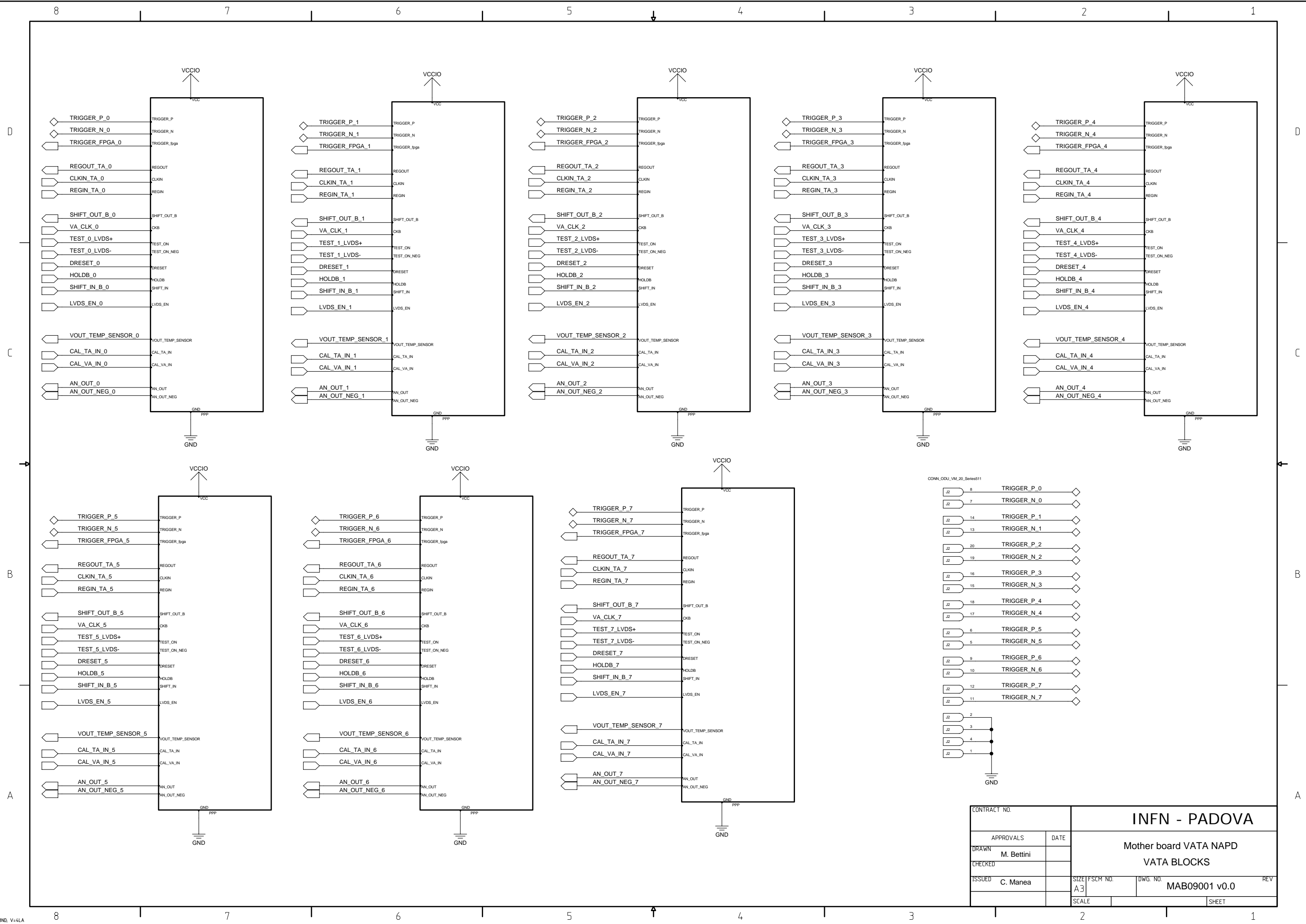
3

2

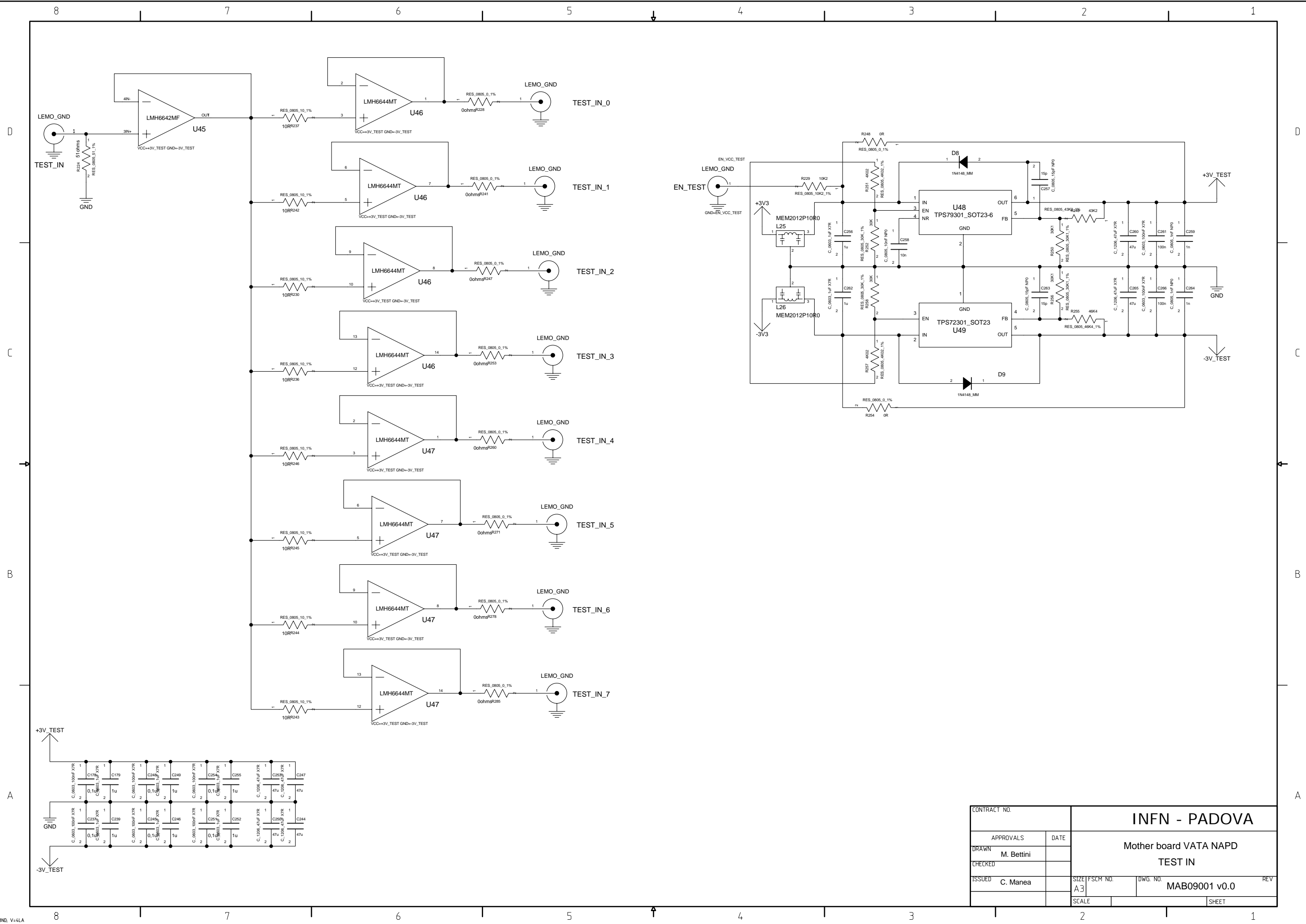
1



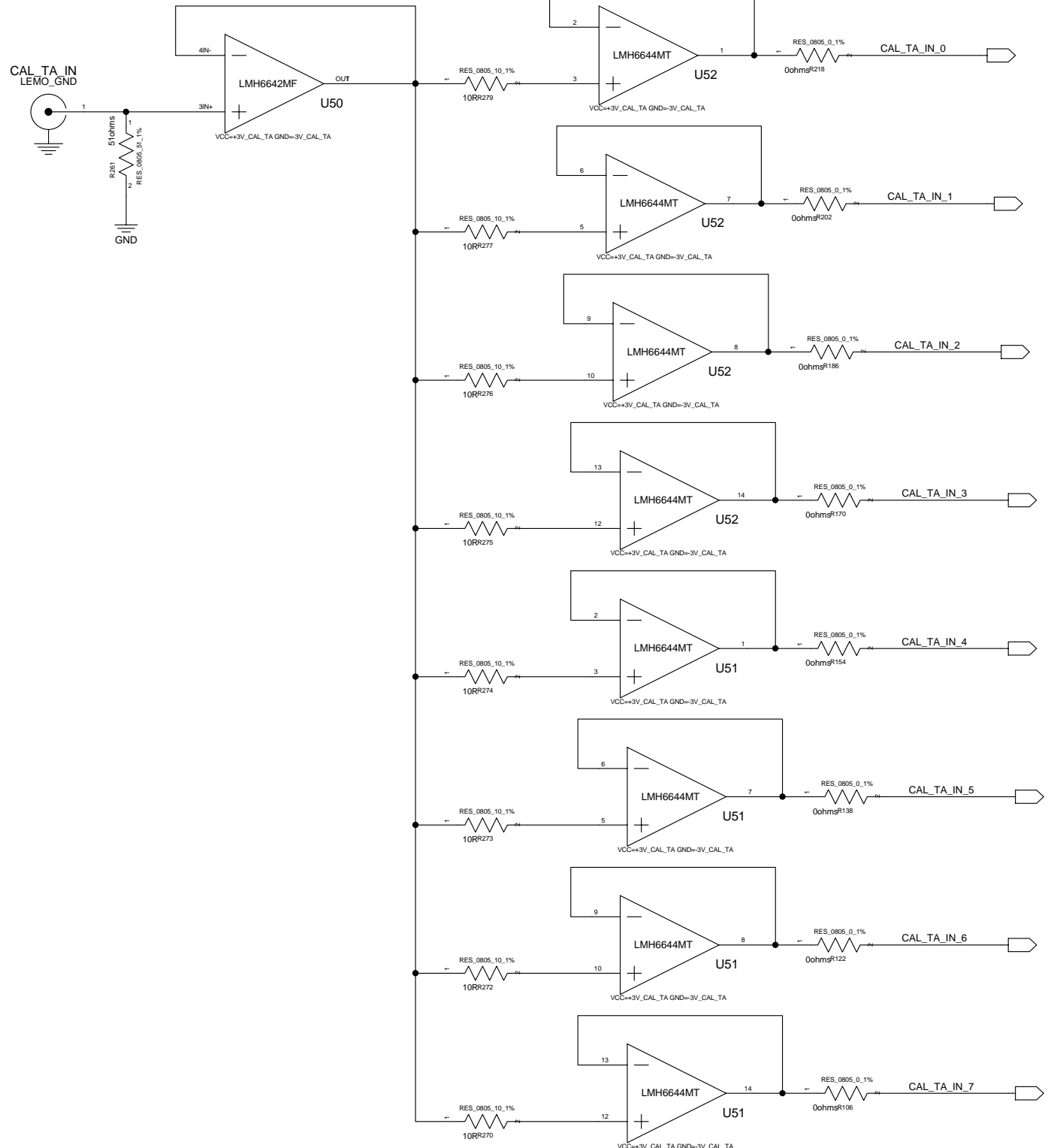
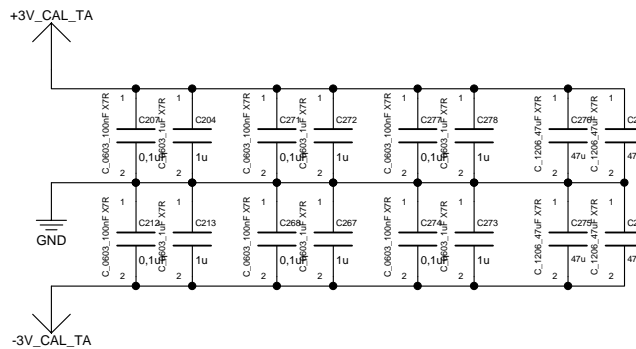
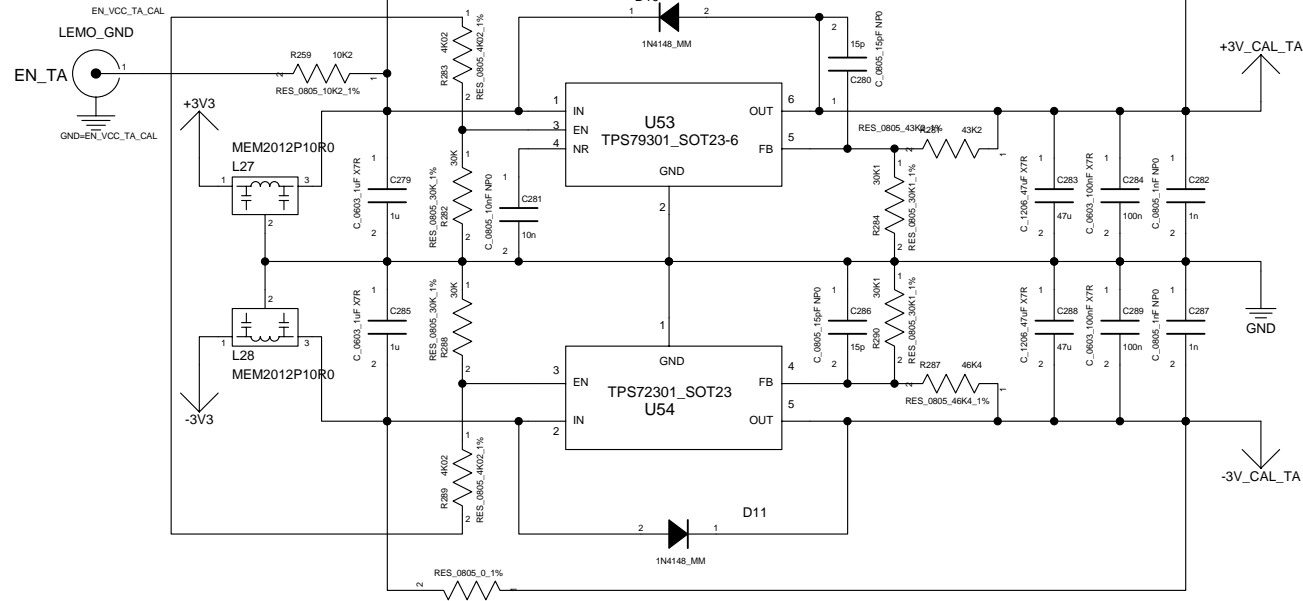
CONTRACT NO.		INFN - PADOVA	
APPROVALS	DATE		
DRAWN	M. Bettini	Mother board VATA NAPD ADC CONNECTOR	
CHECKED			
ISSUED	C. Manea	SIZE	FSCM NO.
		A3	
		DWG. NO.	REV
		MAB09001 v0.0	
		SCALE	SHEET



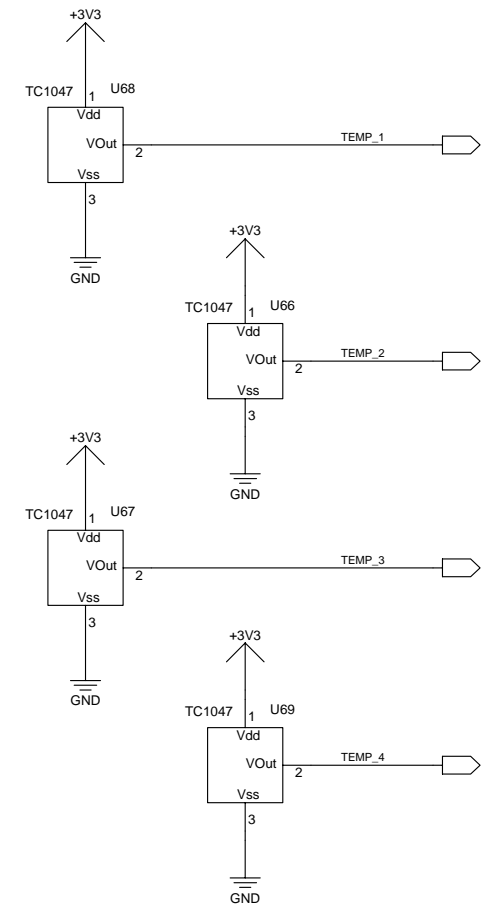
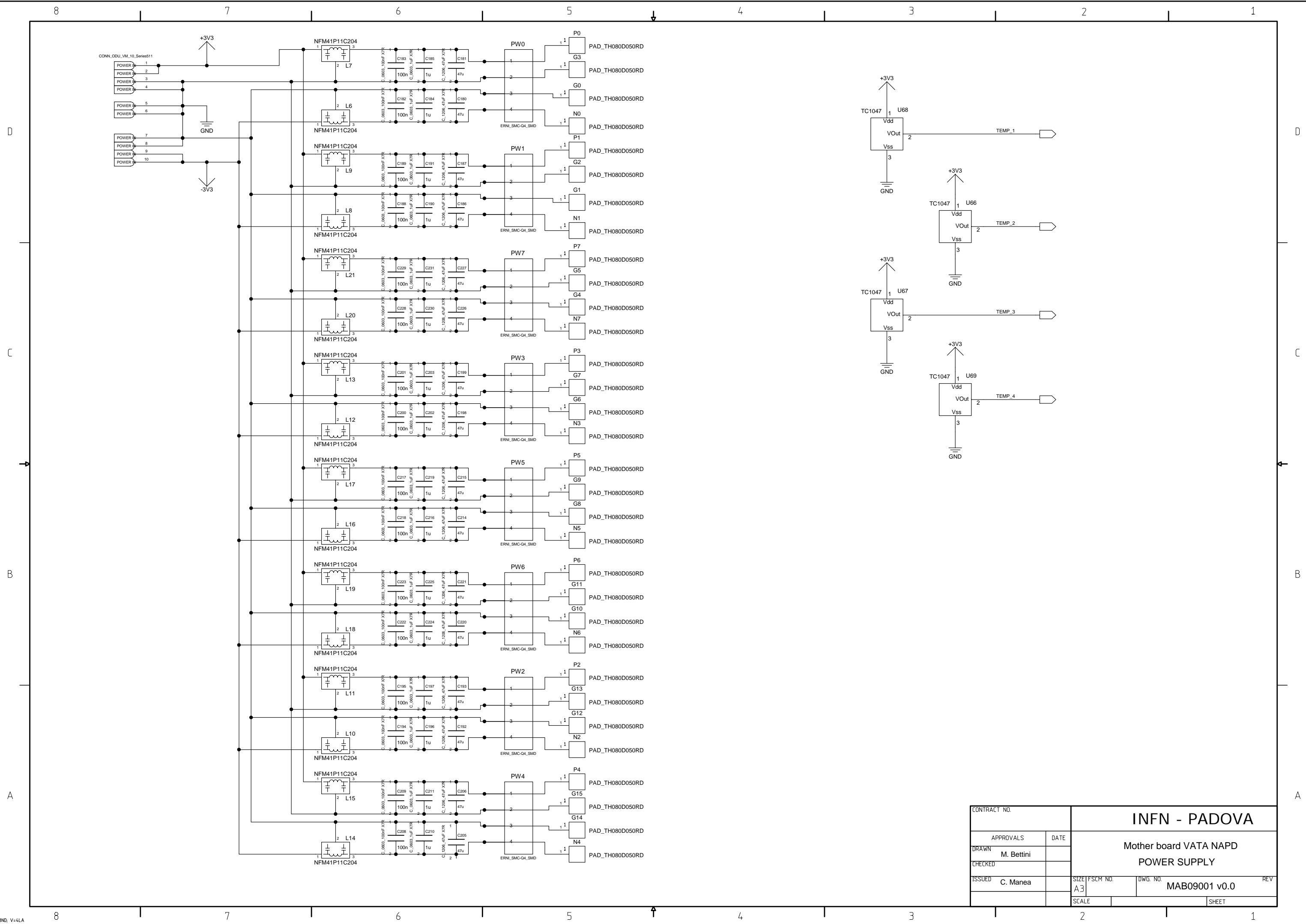
CONTRACT NO.		INFN - PADOVA			
APPROVALS	DATE				
DRAWN	M. Bettini	Mother board VATA NAPD VATA BLOCKS			
CHECKED					
ISSUED	C. Manea	SIZE	FSCM NO.	DWG. NO.	REV
		A3		MAB09001 v0.0	
		SCALE			SHEET



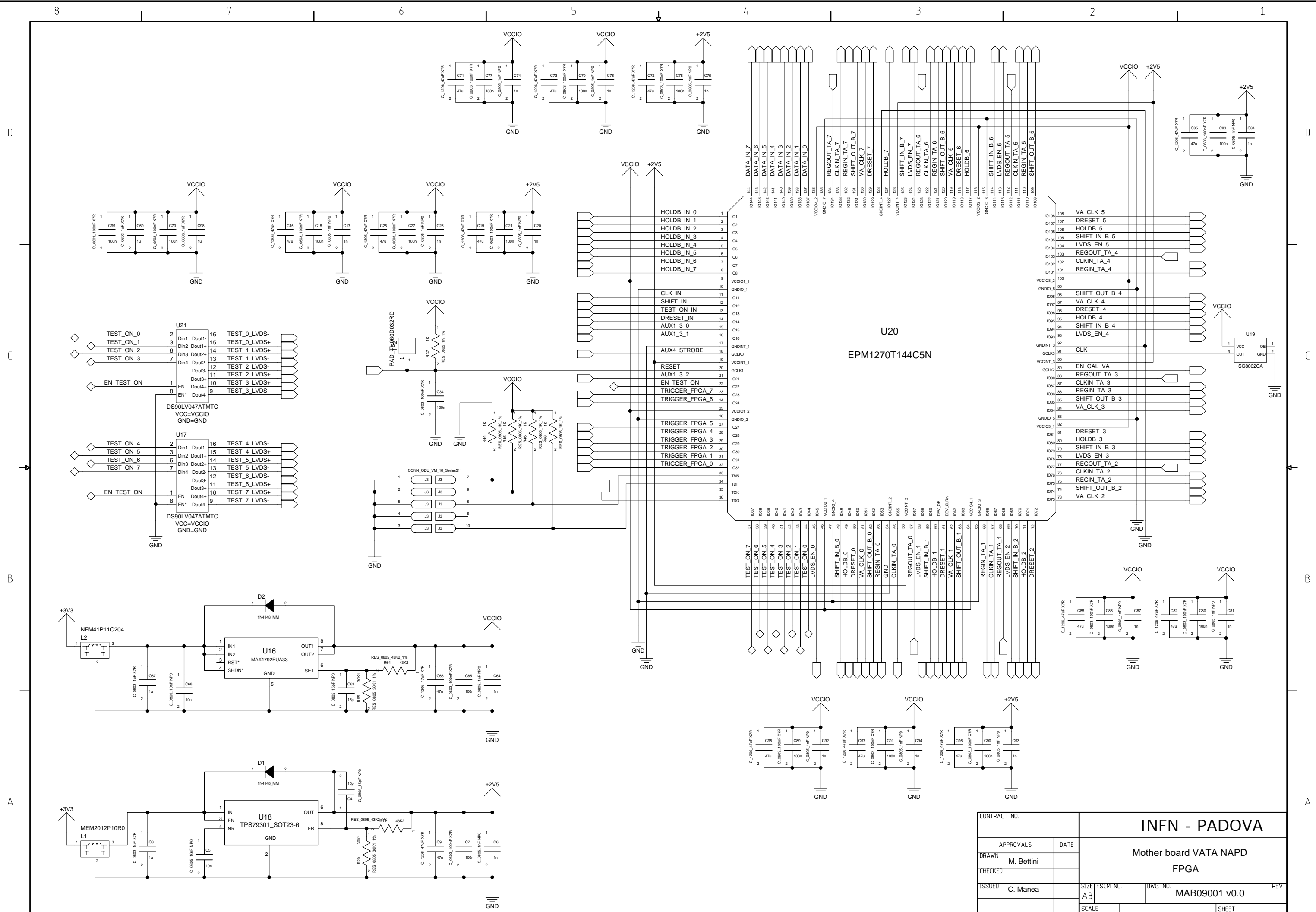
CONTRACT NO.		INFN - PADOVA Mother board VATA NAPD TEST IN	
APPROVALS	DATE		
DRAWN	M. Bettini	SIZE	FSCM NO.
CHECKED		A3	DWG. NO.
ISSUED	C. Manea	MAB09001 v0.0	
		SCALE	SHEET



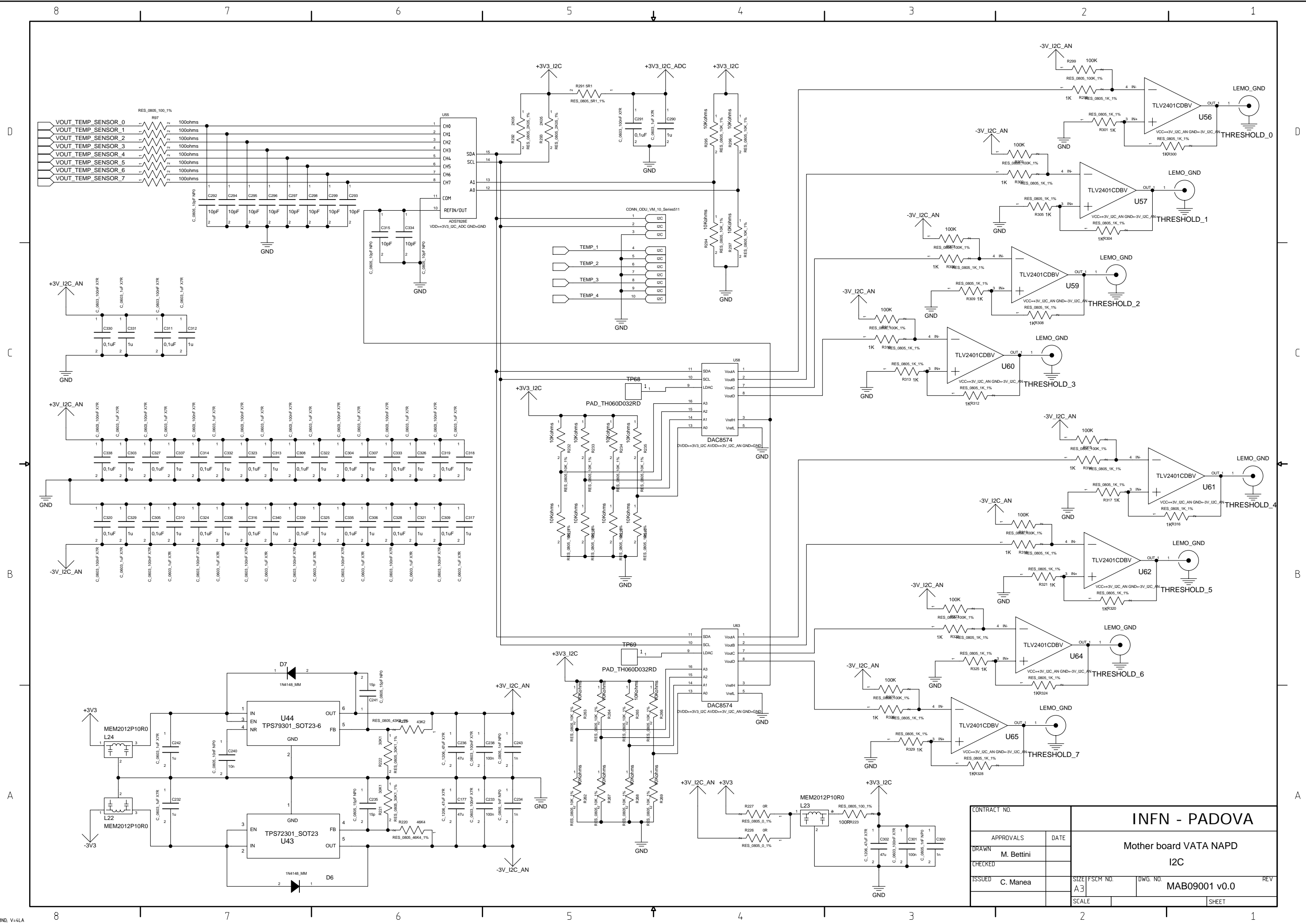
CONTRACT NO.		INFN - PADOVA			
APPROVALS	DATE				
DRAWN	M. Bettini	Mother board VATA NAPD CALIBRATION TA			
CHECKED					
ISSUED	C. Manea	SIZE	FSCM NO.	DWG. NO.	REV
		A3		MAB09001 v0.0	
		SCALE		SHEET	



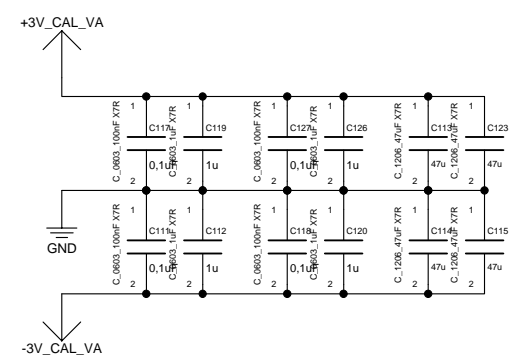
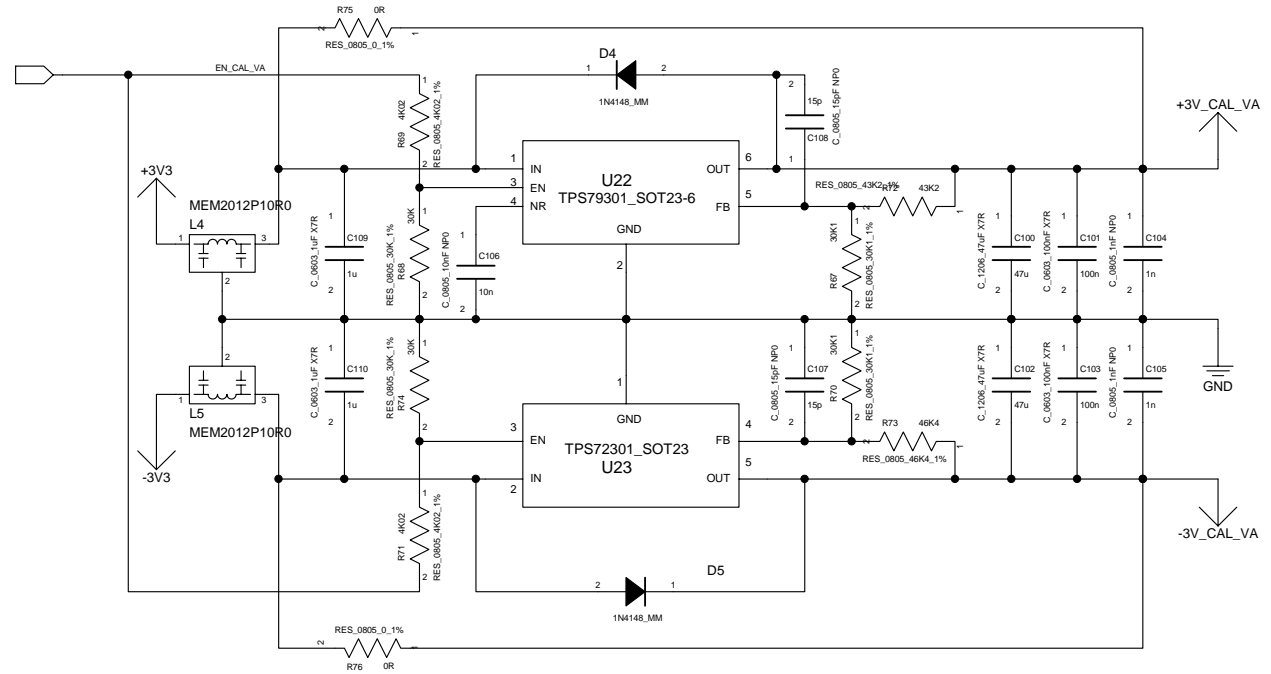
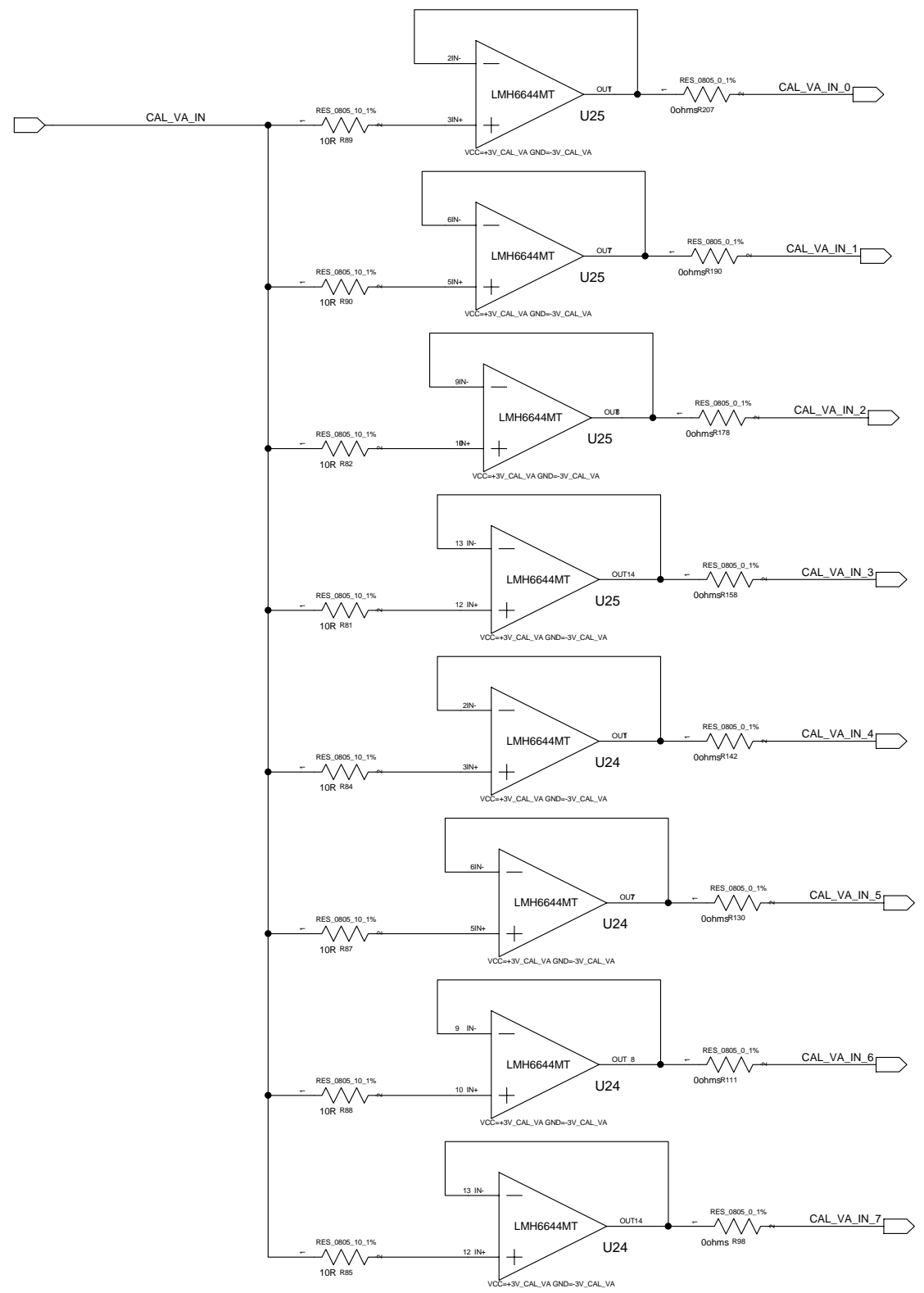
CONTRACT NO.		INFN - PADOVA			
APPROVALS	DATE				
DRAWN	M. Bettini	Mother board VATA NAPD POWER SUPPLY			
CHECKED					
ISSUED	C. Manea	SIZE	FSCM NO.	DWG. NO.	REV
		A3		MAB09001 v0.0	
		SCALE			SHEET



CONTRACT NO.		INFN - PADOVA	
APPROVALS	DATE	Mother board VATA NAPD	
DRAWN M. Bettini		FPGA	
CHECKED		SIZE A3	DWG. NO. MAB09001 v0.0
ISSUED C. Manea		SCALE	SHEET



CONTRACT NO.		INFN - PADOVA	
APPROVALS	DATE	Mother board VATA NAPD	
DRAWN M. Bettini		I2C	
CHECKED		SIZE	FSCM NO.
ISSUED C. Manea		A3	DWG. NO. MAB09001 v0.0
		SCALE	SHEET



CONTRACT NO.		INFN - PADOVA			
APPROVALS	DATE				
DRAWN	M. Bettini	Mother board VATA NAPD CALIBRATION VA			
CHECKED					
ISSUED	C. Manea	SIZE	FSCM NO.	DWG. NO.	REV
		A3		MAB09001 v0.0	
		SCALE		SHEET	