

8

7

6

5

4

3

2

1

D

D

C

C

B

B

A

A



CONTRACT NO.		INFN - PADOVA			
APPROVALS	DATE				
DRAWN					
CHECKED					
ISSUED		SIZE	FSCM NO.	DWG. NO.	REV
		A3			
		SCALE			SHEET

8

7

6

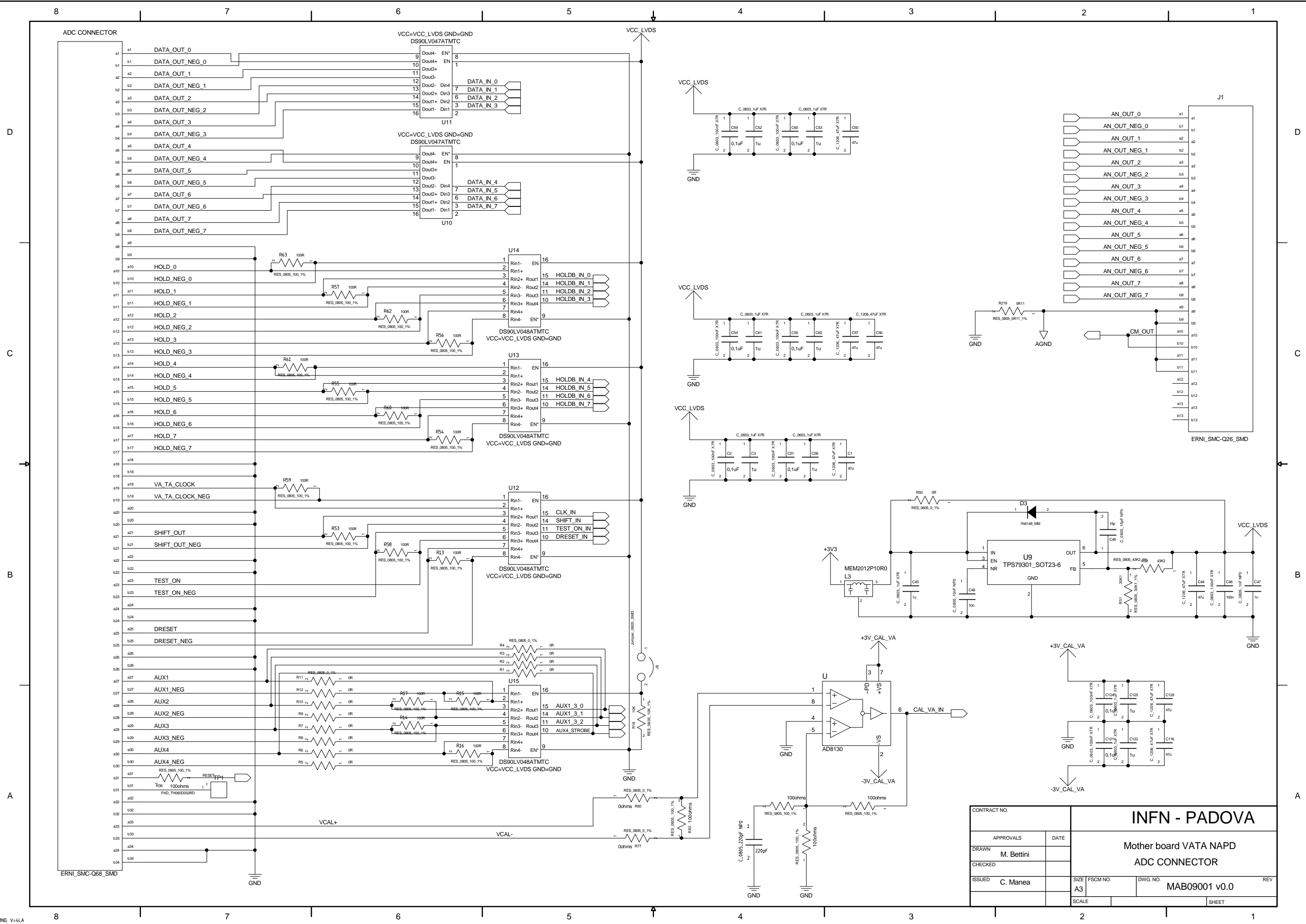
5

4

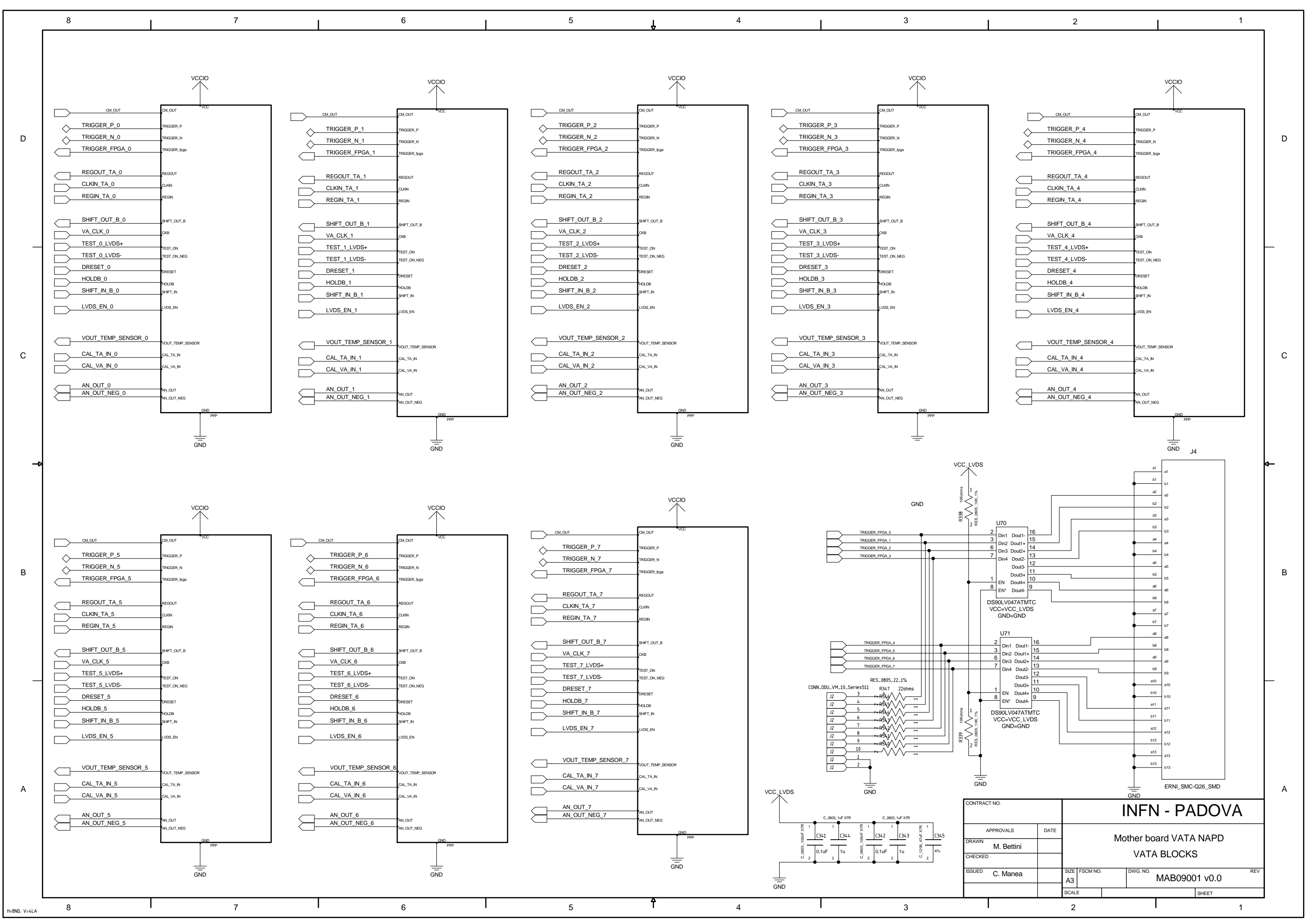
3

2

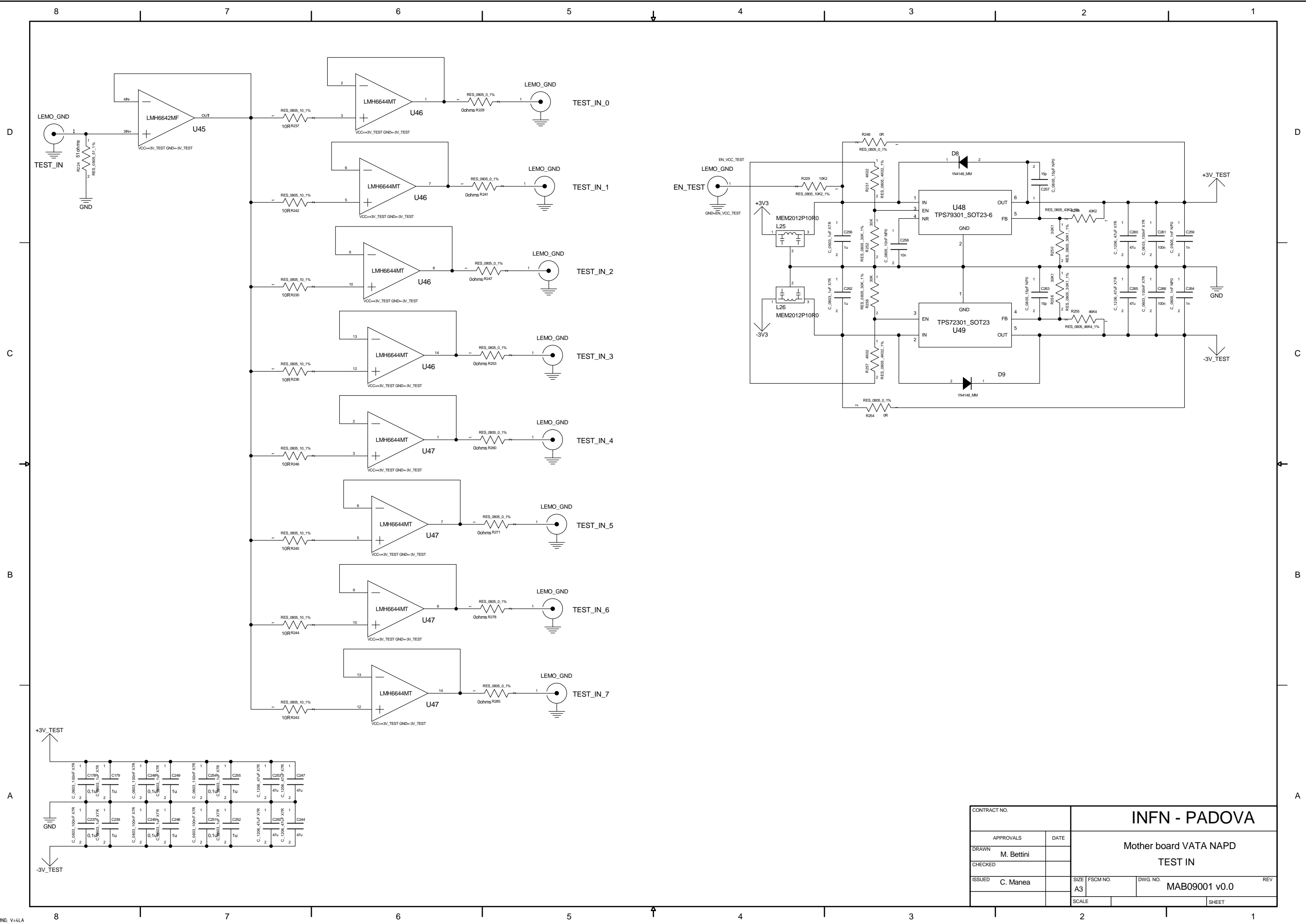
1



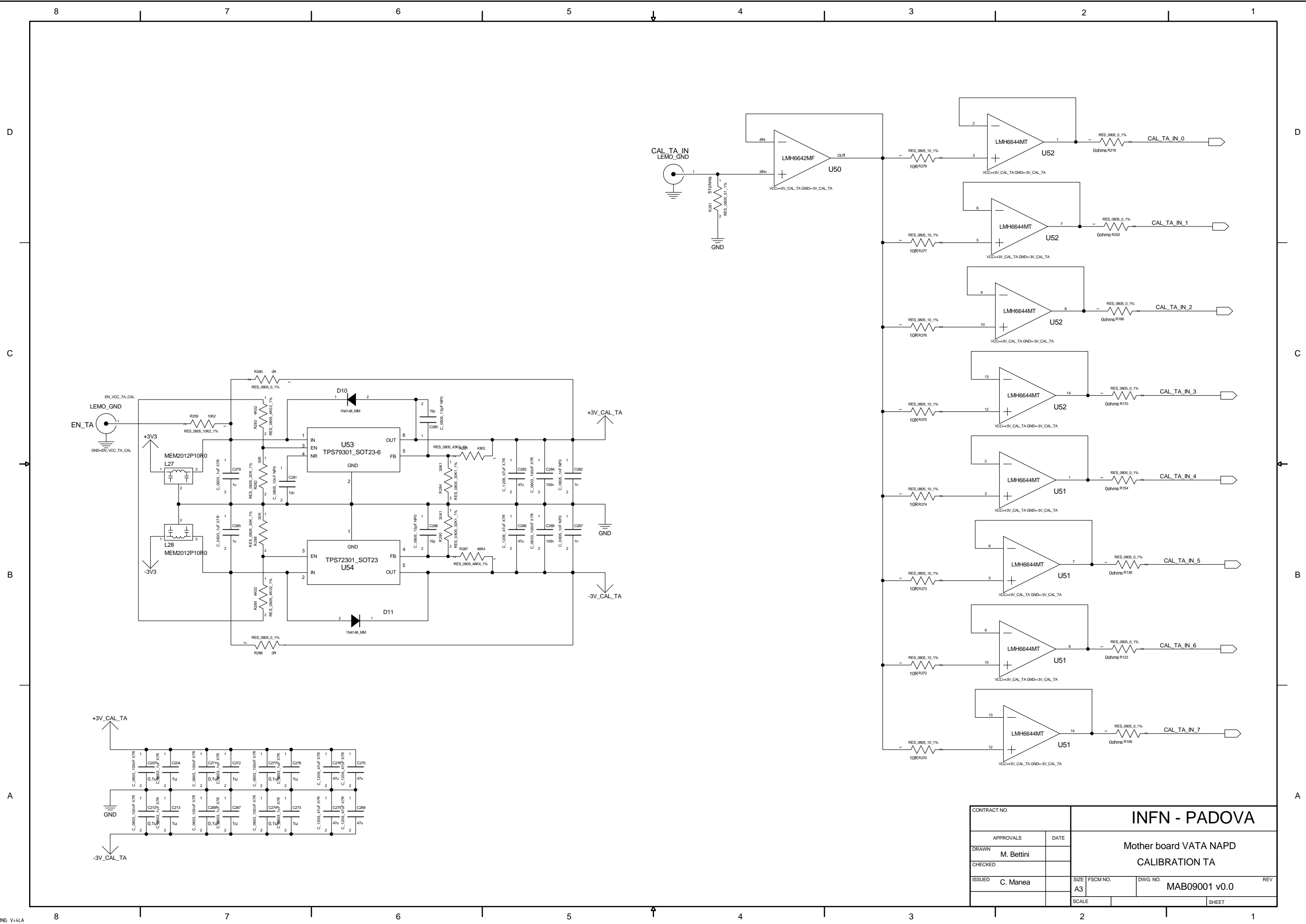
CONTRACT NO.		INFN - PADOVA			
APPROVALS	DATE				
DRAWN	M. Bettini	Mother board VATA NAPD ADC CONNECTOR			
CHECKED					
ISSUED	C. Manea	SIZE	FSCM NO.	DWG. NO.	REV
		A3		MAB09001 v0.0	
		SCALE		SHEET	



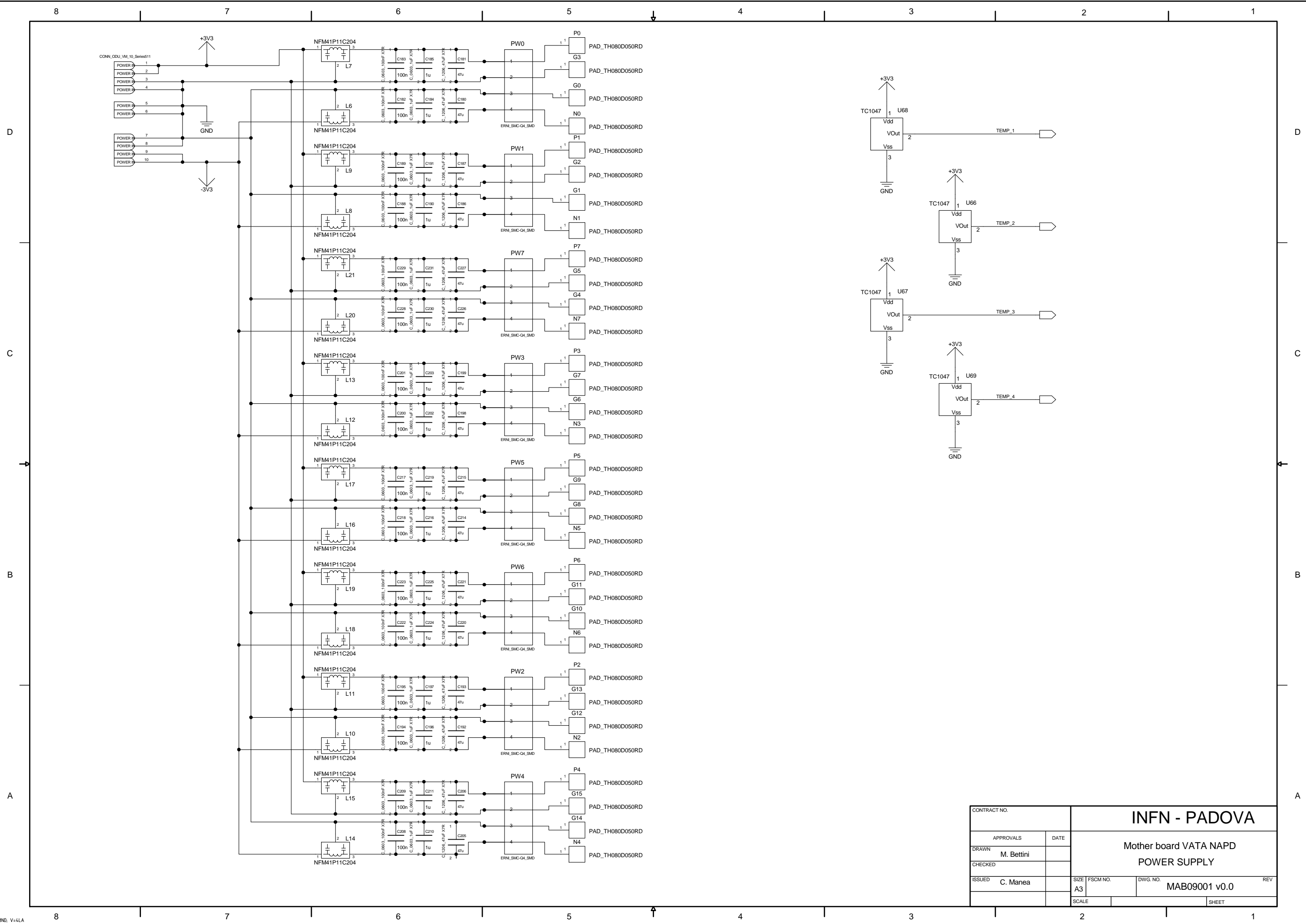
CONTRACT NO.		INFN - PADOVA			
APPROVALS	DATE				
DRAWN	M. Bettini	Mother board VATA NAPD VATA BLOCKS			
CHECKED					
ISSUED	C. Manea	SIZE A3	FSCM NO.	DWG. NO. MAB09001 v0.0	REV
		SCALE	SHEET		



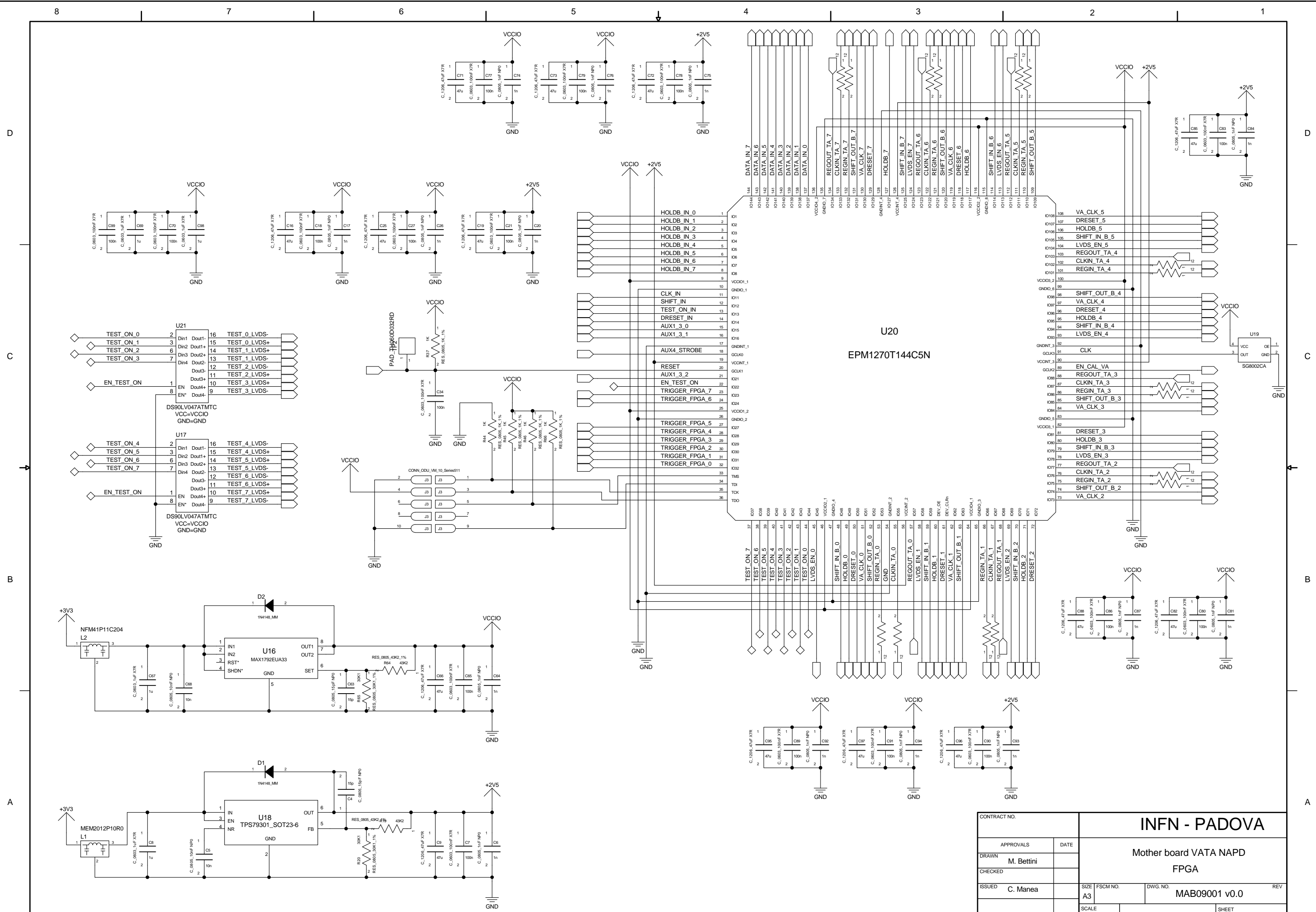
CONTRACT NO.		INFN - PADOVA			
APPROVALS	DATE	Mother board VATA NAPD			
DRAWN	M. Bettini	TEST IN			
CHECKED		SIZE	FSCM NO.	DWG. NO.	REV
ISSUED	C. Manea	A3		MAB09001 v0.0	
		SCALE		SHEET	



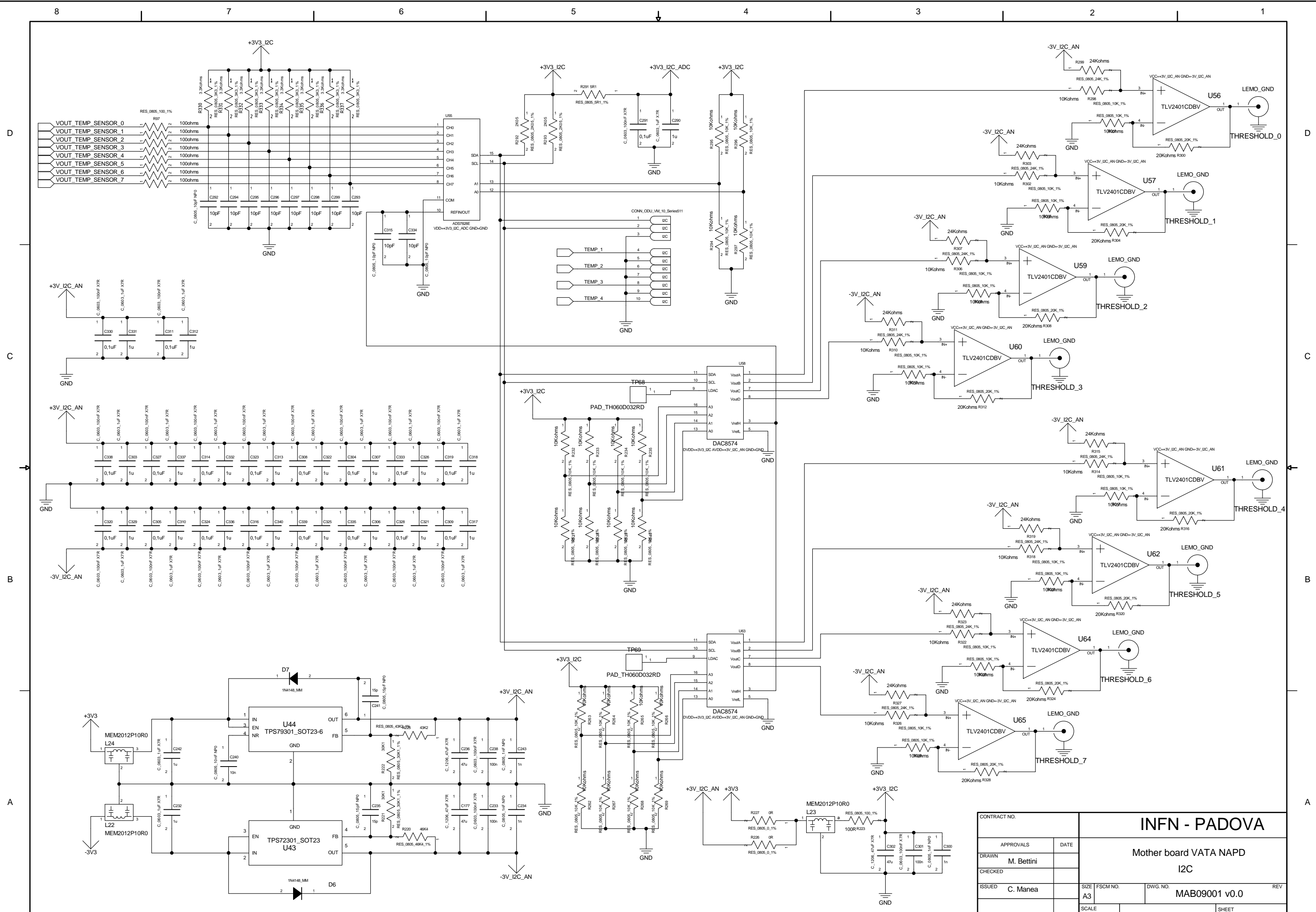
CONTRACT NO.		INFN - PADOVA		
APPROVALS	DATE	Mother board VATA NAPD CALIBRATION TA		
DRAWN	M. Bettini			
CHECKED				
ISSUED	C. Manea	SIZE	FSCM NO.	DWG. NO.
		A3		MAB09001 v0.0
		SCALE		SHEET



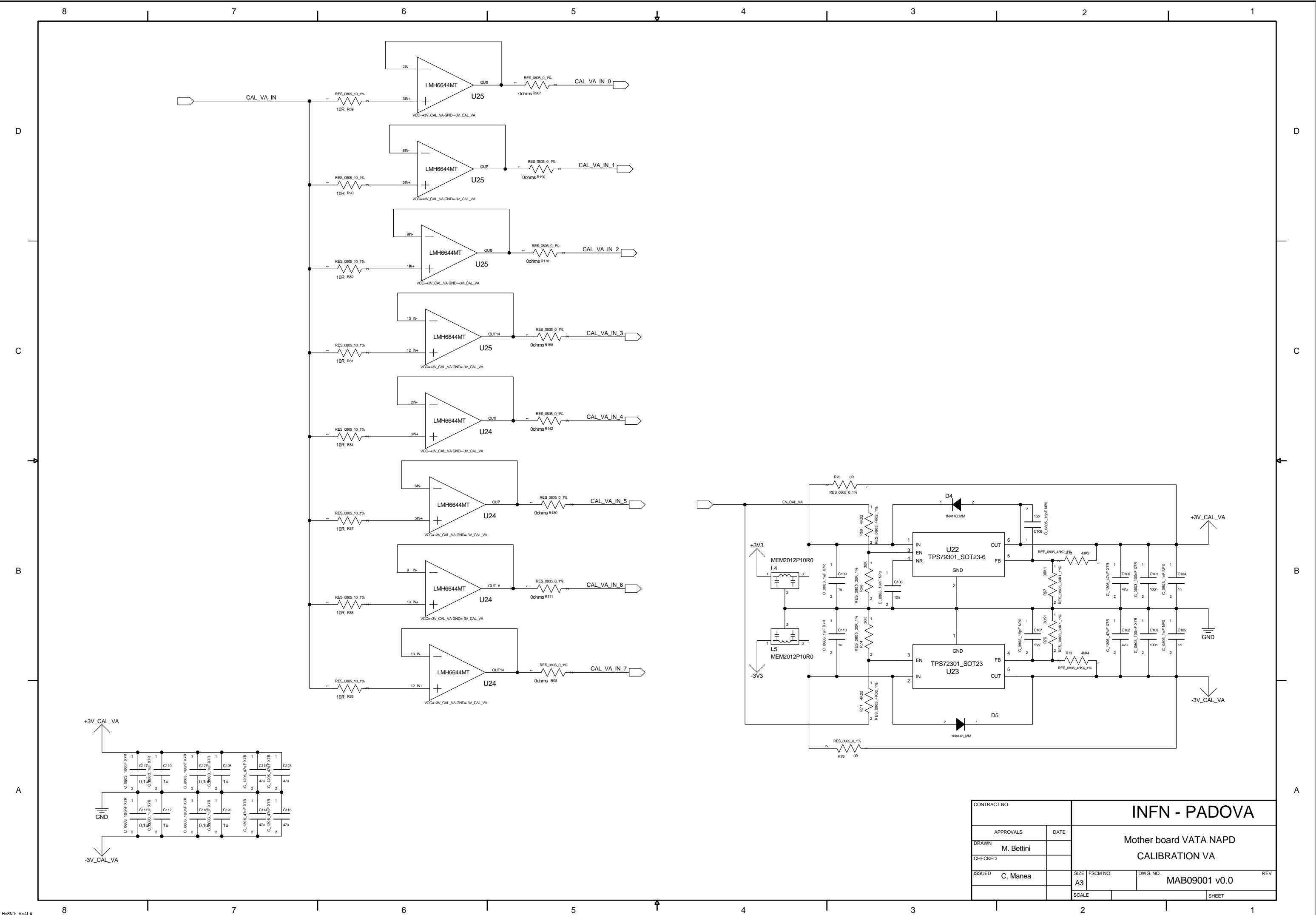
CONTRACT NO.		INFN - PADOVA			
APPROVALS	DATE	Mother board VATA NAPD POWER SUPPLY			
DRAWN M. Bettini					
CHECKED					
ISSUED C. Manea		SIZE A3	FSCM NO.	DWG. NO. MAB09001 v0.0	REV
SCALE					SHEET



CONTRACT NO.		INFN - PADOVA	
APPROVALS	DATE		
DRAWN	M. Bettini	Mother board VATA NAPD	
CHECKED		FPGA	
ISSUED	C. Manea	SIZE	FSCM NO.
		A3	DWG. NO.
			MAB09001 v0.0
		SCALE	SHEET



CONTRACT NO.		INFN - PADOVA Mother board VATA NAPD I2C	
APPROVALS	DATE		
DRAWN	M. Bettini	SIZE	FSCM NO.
CHECKED		ISSUED	C. Manea
		SCALE	
		DWG. NO.	MAB09001 v0.0
		REV	
		SHEET	



CONTRACT NO.		INFN - PADOVA			
APPROVALS	DATE	Mother board VATA NAPD CALIBRATION VA			
DRAWN	M. Bettini				
CHECKED					
ISSUED	C. Manea	SIZE	FSCM NO.	DWG. NO.	REV
		A3		MAB09001 v0.0	
		SCALE		SHEET	