

8 7 6 5 4 3 2 1

D

D

C

C

B

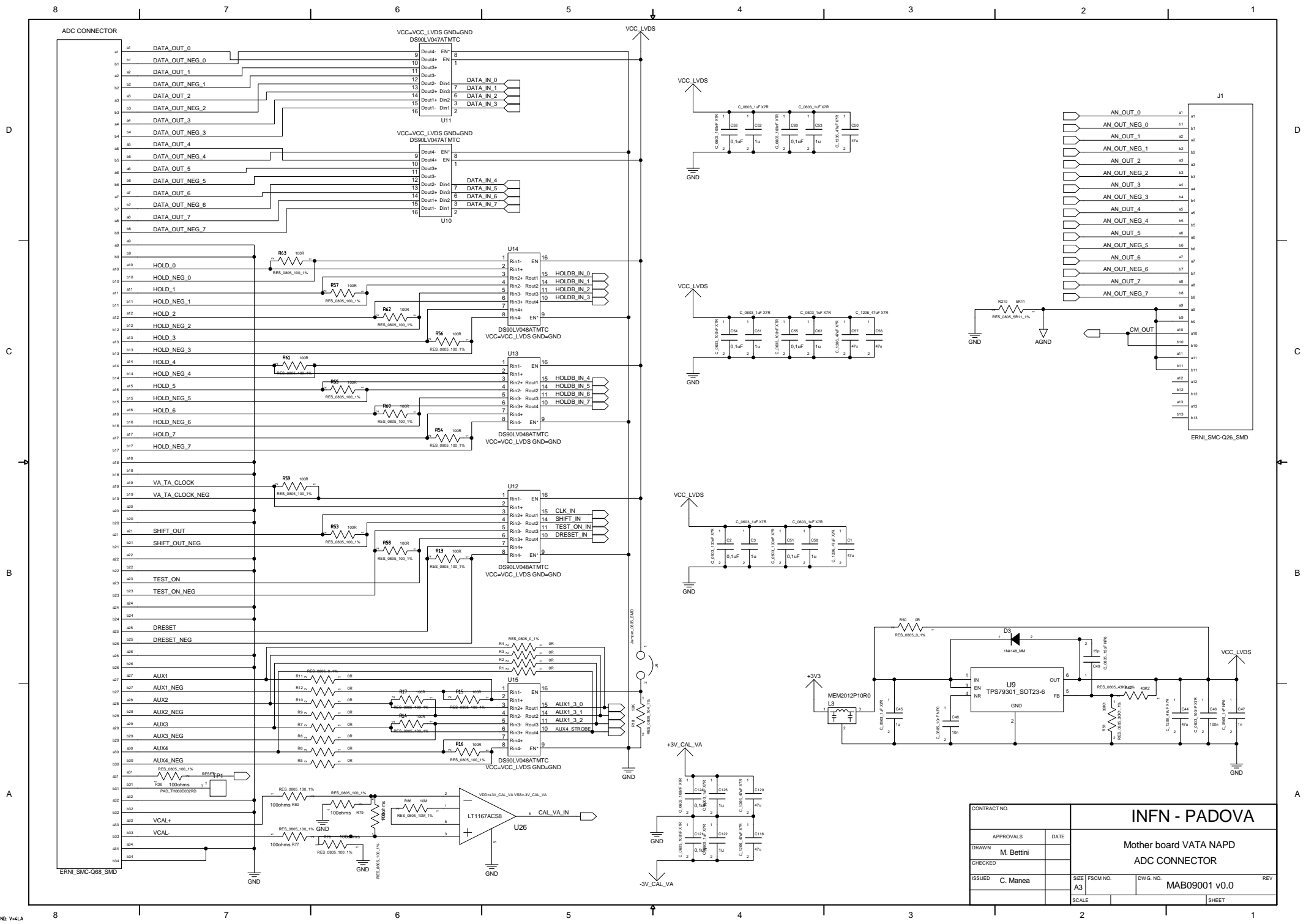
B

A

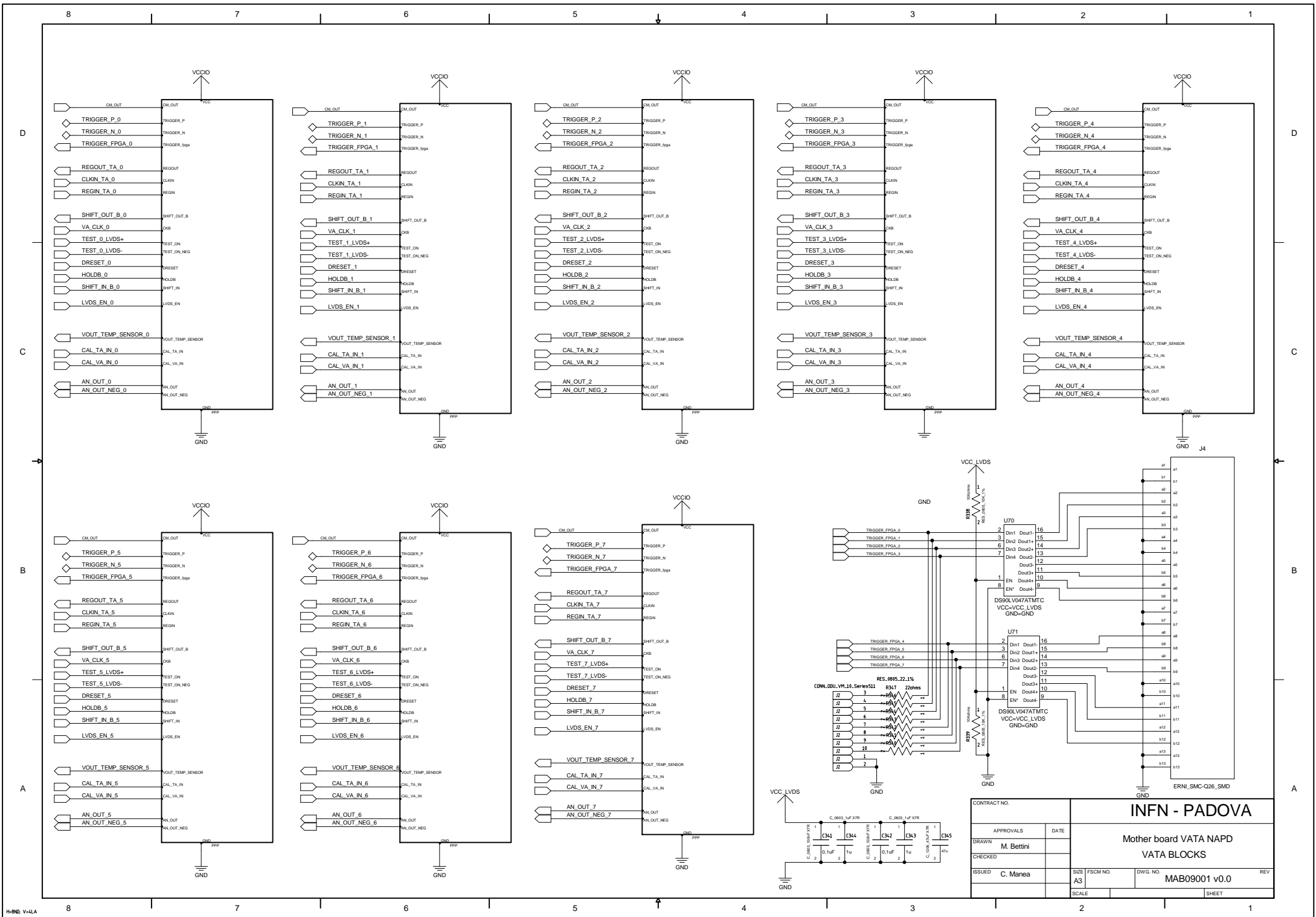
A

CONTRACT NO.		INFN - PADOVA			
APPROVALS	DATE				
DRAWN					
CHECKED					
ISSUED		SIZE	FSCM NO.	DWG. NO.	REV
		A3			
		SCALE			SHEET

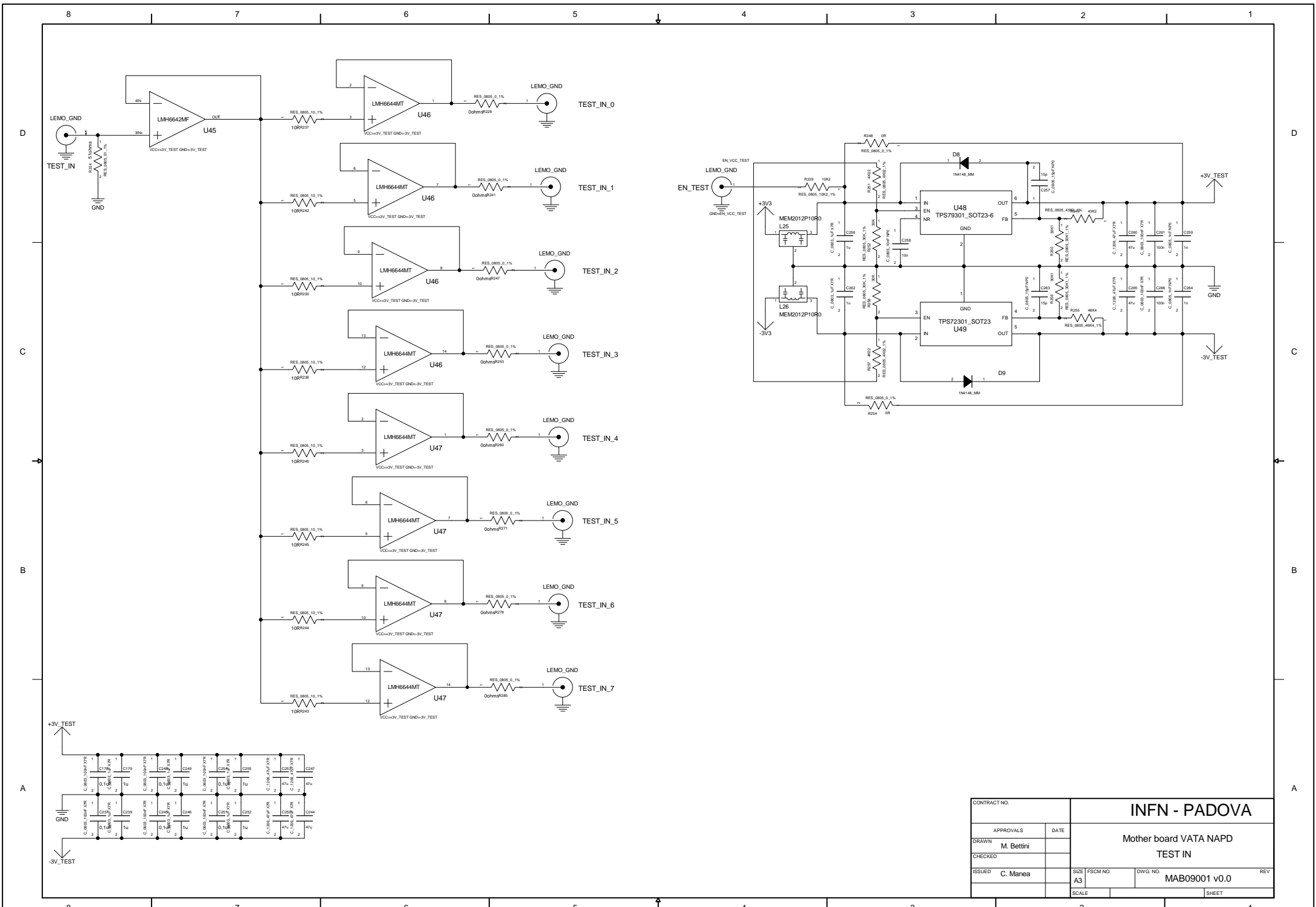
8 7 6 5 4 3 2 1



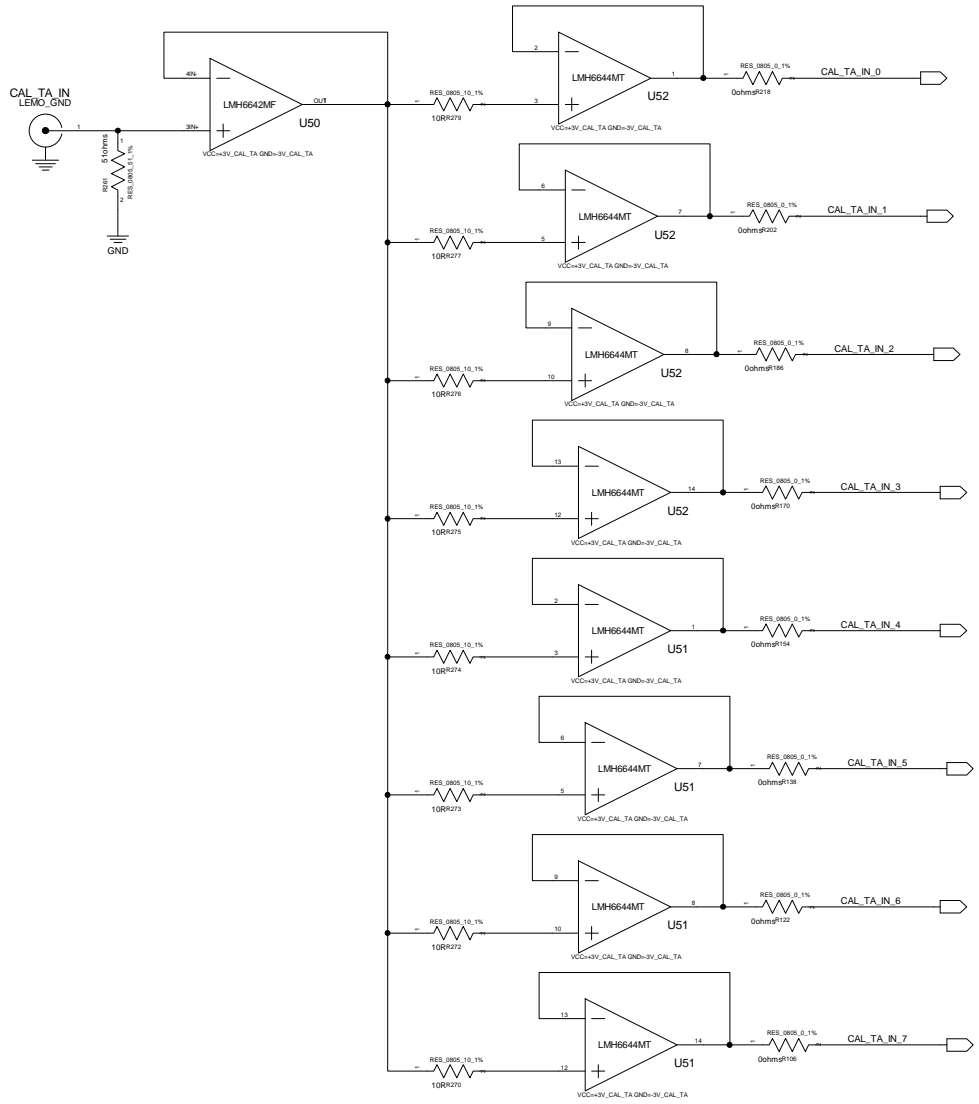
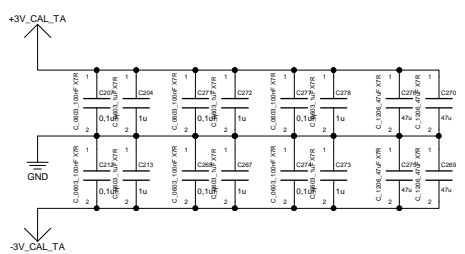
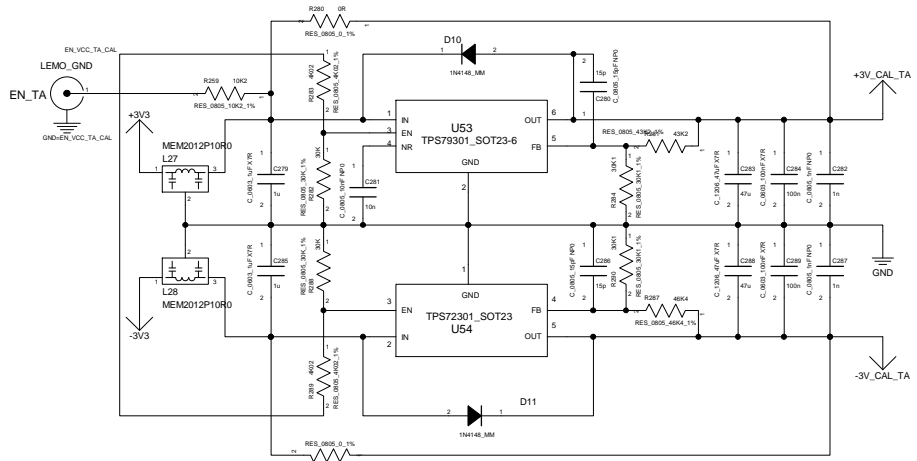
CONTRACT NO.		INFN - PADOVA	
APPROVALS	DATE	<b>Mother board VATA NAPD ADC CONNECTOR</b>	
DRAWN	M. Bettini		
CHECKED			
ISSUED	C. Manea		
SCALE	FSCM NO.	DWG. NO.	MAB09001 v0.0
			REV
			SHEET



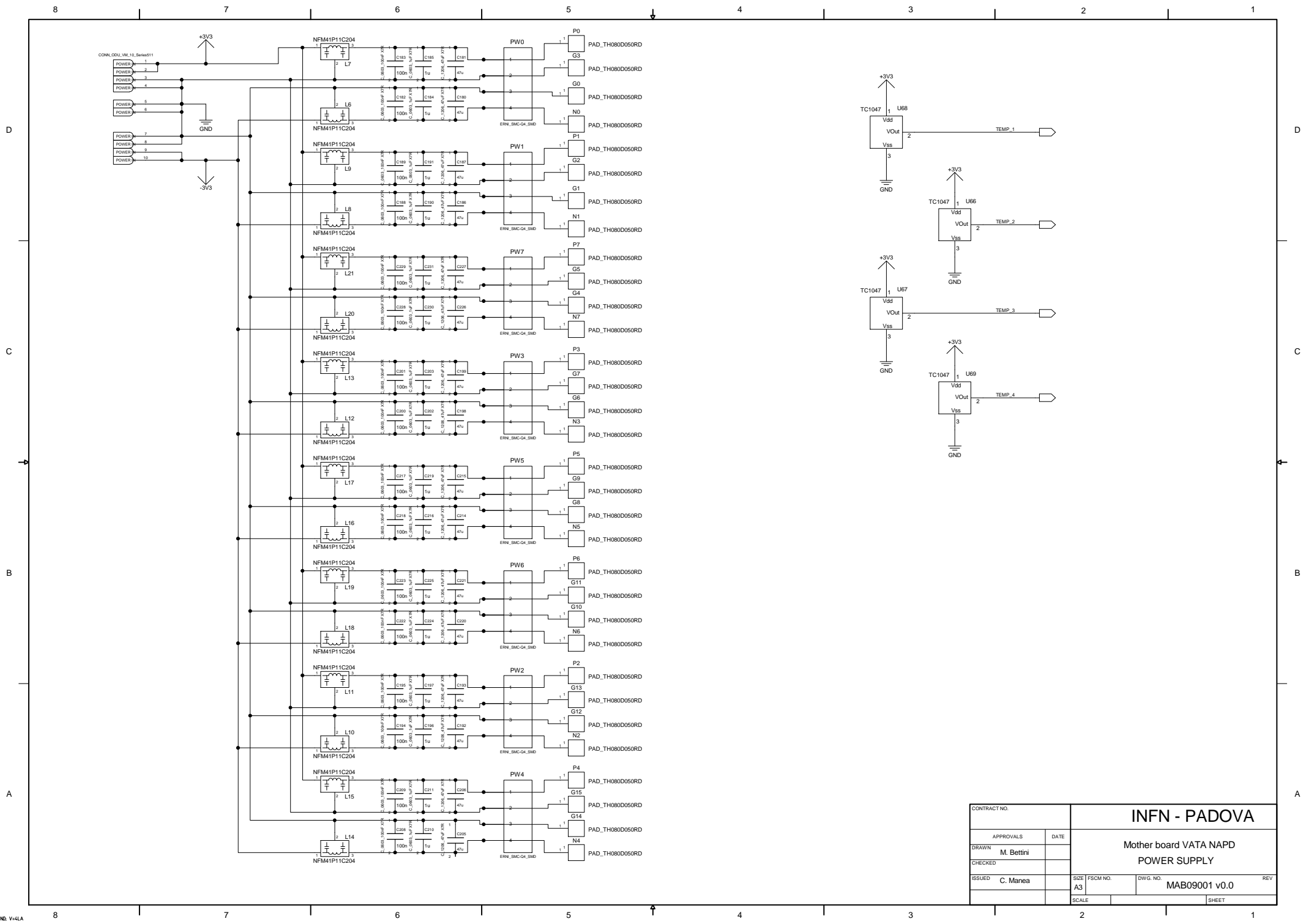
CONTRACT NO.		INFN - PADOVA	
APPROVALS	DATE	Mother board VATA NAPD	
DRAWN	M. Bettini	VATA BLOCKS	
CHECKED			
ISSUED	C. Manea	SIZE	A3
		FSCM NO.	
		DWG. NO.	MAB09001 v0.0
		SCALE	SHEET



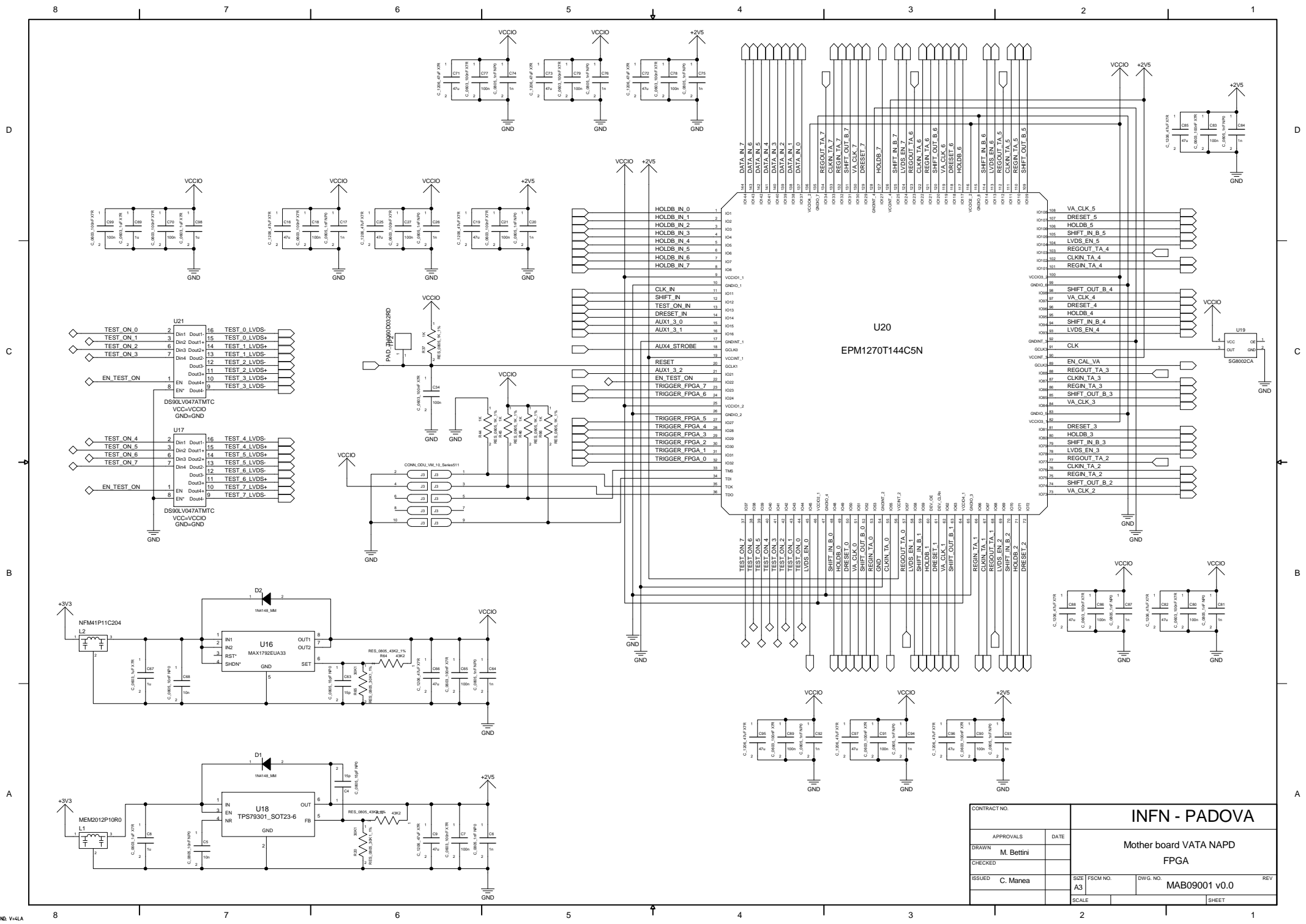
CONTRACT NO.		INFN - PADOVA	
APPROVALS	DATE	Mother board VATA NAPD	
DRAWN	M. Bettini	TEST IN	
CHECKED			
ISSUED	C. Manea	SIZE	FSCM NO.
		DWG. NO.	MAB09001 v0.0
		SCALE	SHEET



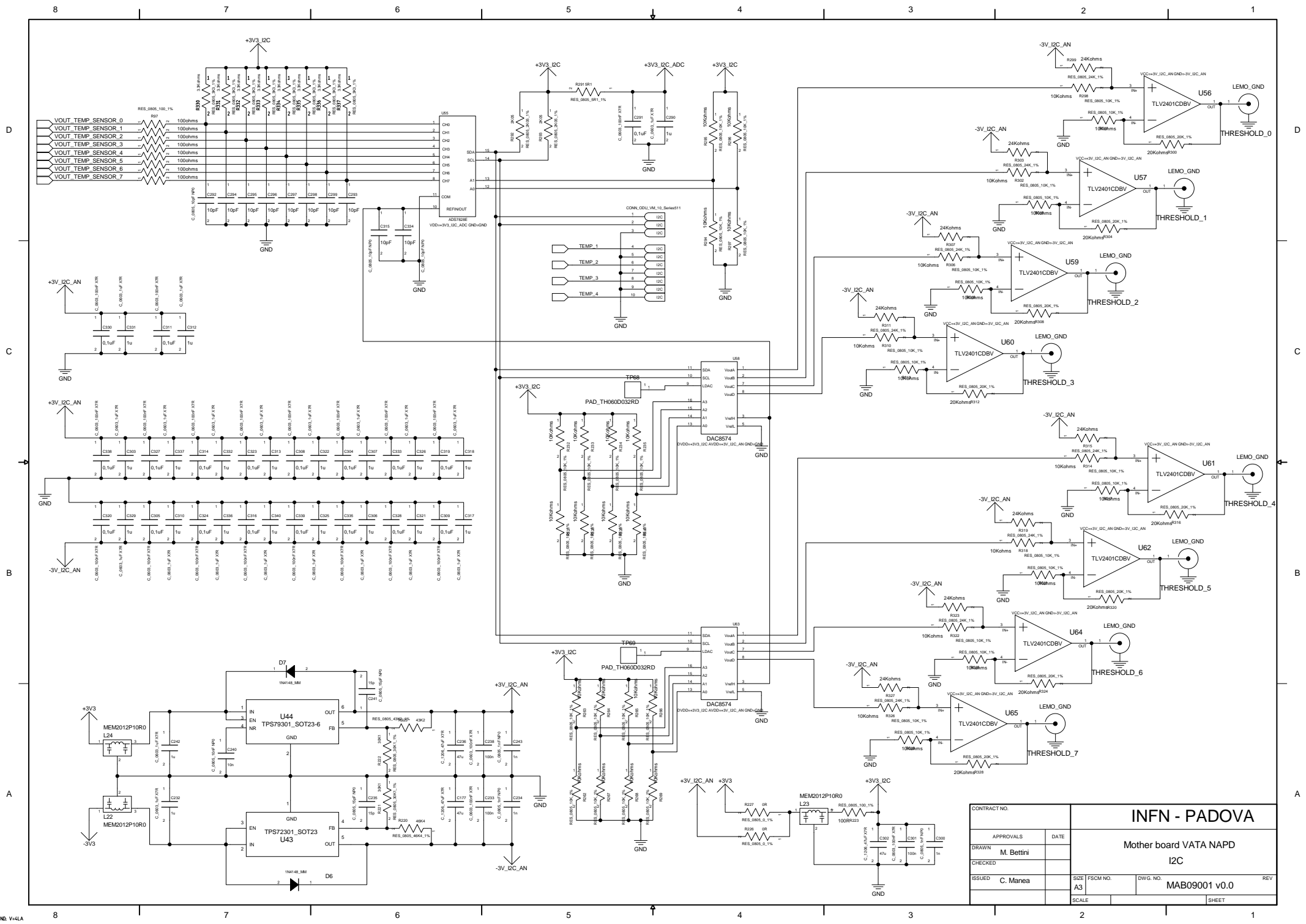
CONTRACT NO.		INFN - PADOVA			
APPROVALS	DATE				
DRAWN	M. Bettini	Mother board VATA NAPD CALIBRATION TA			
CHECKED					
ISSUED	C. Manea	SIZE	FSCM NO.	DWG. NO.	REV
		A3		MAB09001 v0.0	
		SCALE			SHEET



CONTRACT NO.		<b>INFN - PADOVA</b>			
APPROVALS	DATE				
DRAWN	M. Bettini	Mother board VATA NAPD POWER SUPPLY			
CHECKED					
ISSUED	C. Manea	SIZE	FSCM NO.	DWG. NO.	REV
		A3		MAB09001 v0.0	
		SCALE			SHEET

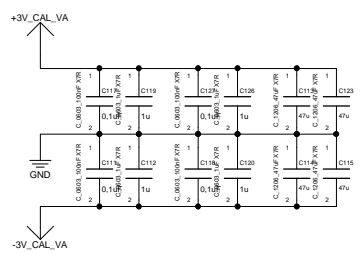
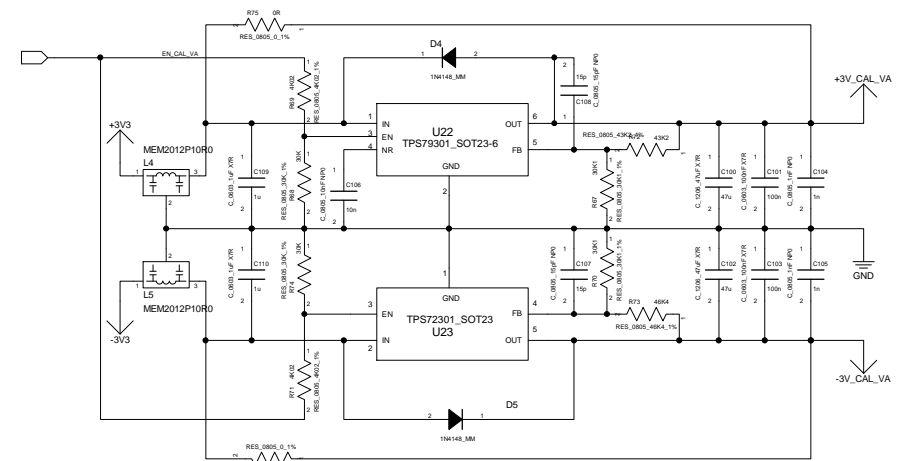
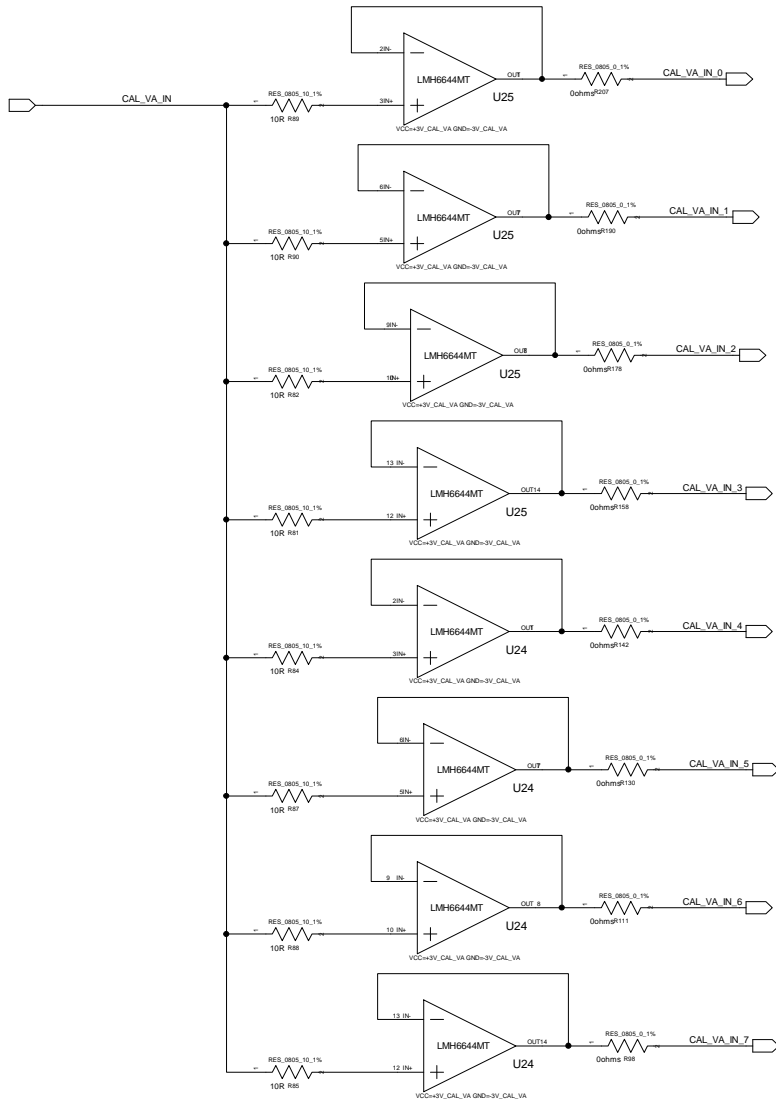


CONTRACT NO.		INFN - PADOVA	
APPROVALS	DATE	Mother board VATA NAPD	
DRAWN M. Bettini		FPGA	
CHECKED		SIZE	FSCM NO.
ISSUED C. Manea		A3	DWG. NO. MAB09001 v0.0
		SCALE	REV SHEET



CONTRACT NO.		INFN - PADOVA	
APPROVALS	DATE	Mother board VATA NAPD	
DRAWN	M. Bettini	I2C	
CHECKED			
ISSUED	C. Manea	SIZE	FSCM NO.
		A3	DWG. NO.
		MAB09001 v0.0	
		SCALE	SHEET





CONTRACT NO.		INFN - PADOVA	
APPROVALS	DATE	Mother board VATA NAPD CALIBRATION VA	
DRAWN	M. Bettini		
CHECKED			
ISSUED	C. Manea		
SIZE	FSCM NO.	DWG. NO.	REV
A3		MAB09001 v0.0	
SCALE			SHEET