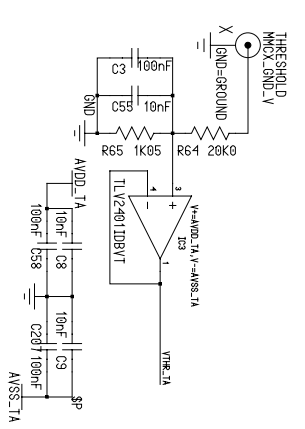
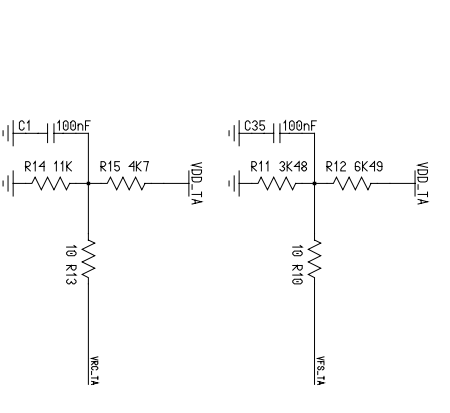
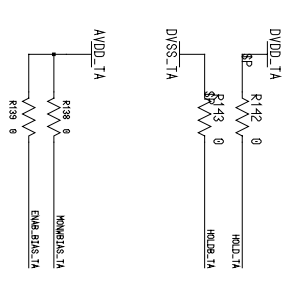
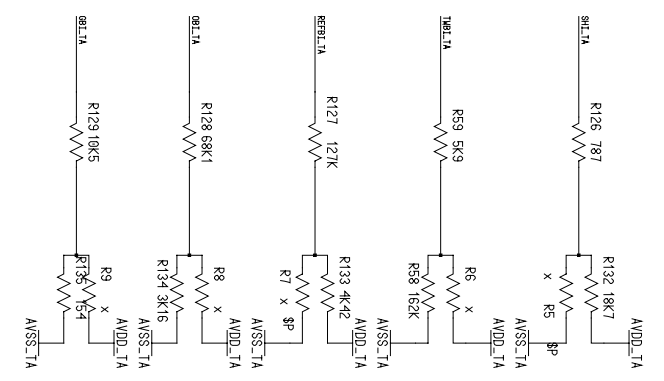


VA ANALOG OUTPUT  
VA BIAS



Changed by Date Changed 02/09/2008 Time Changed 0A:CHK  
Sheet 3 of 4

ENGINTECH	INFN
DESIGN	Sez. di PADOVA
PROJ. N°	
RXD CHK	TITLE:
DOC CTRL CHK	EXOTIC_Va.ta.NHPD
WFS ENGR CHK	Versione 1
	Rev. Draw: 02/09/2008
	0A:CHK