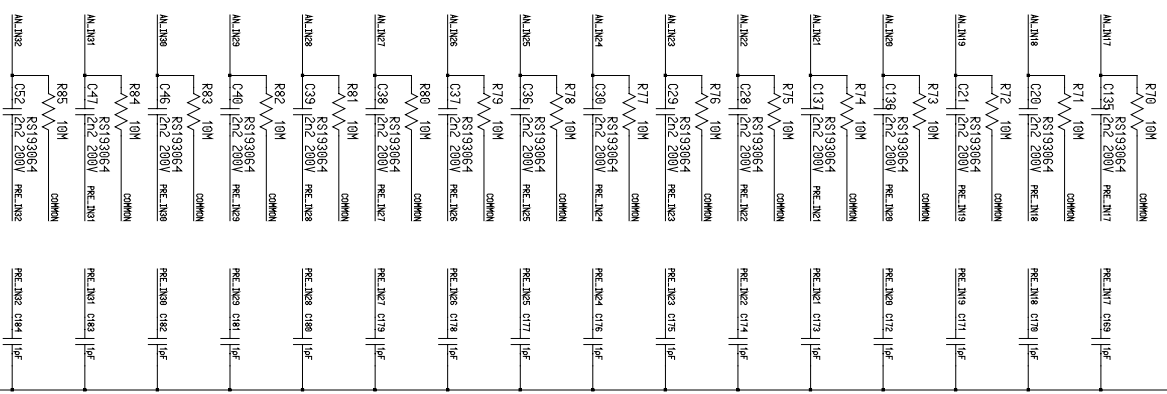
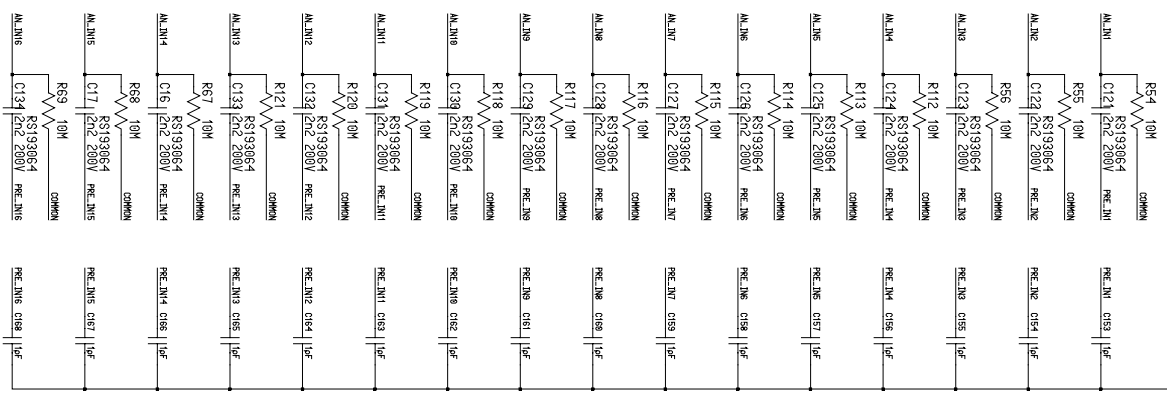
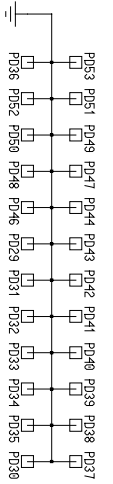


CONN AVX 40 PIN



Changed by Date Changed 02/09/2008

The Changed DA CHK

REV 0.0

ENGINTECH
 Drawn By
 RAO CHK
 DDC CTRL CHK
 MFG ENGR CHK
 TITLE: EXOTIC_V1a1-MPD
 Version: 1
 INFN
 Sez. di PADOVA
 S.13e