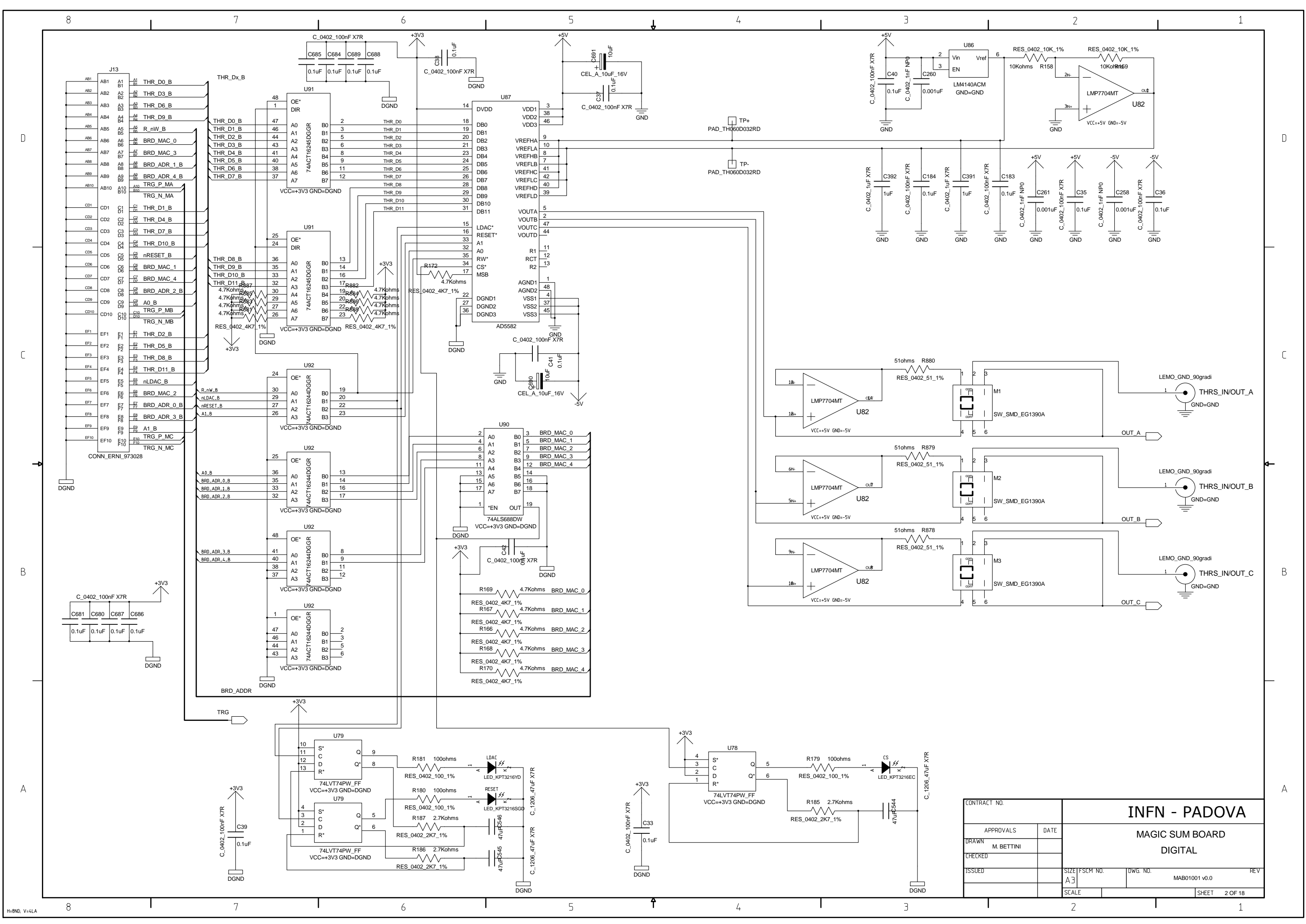
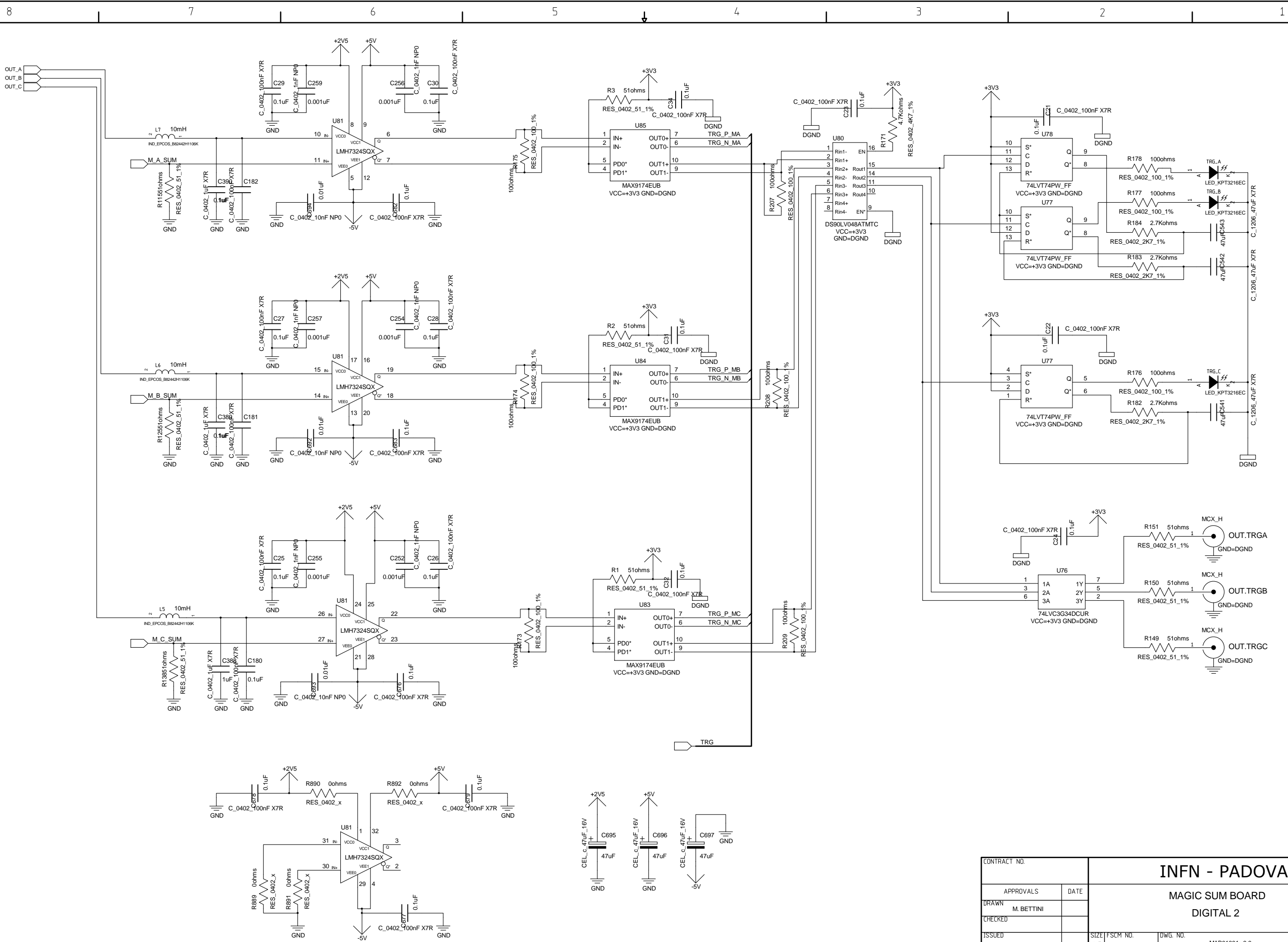


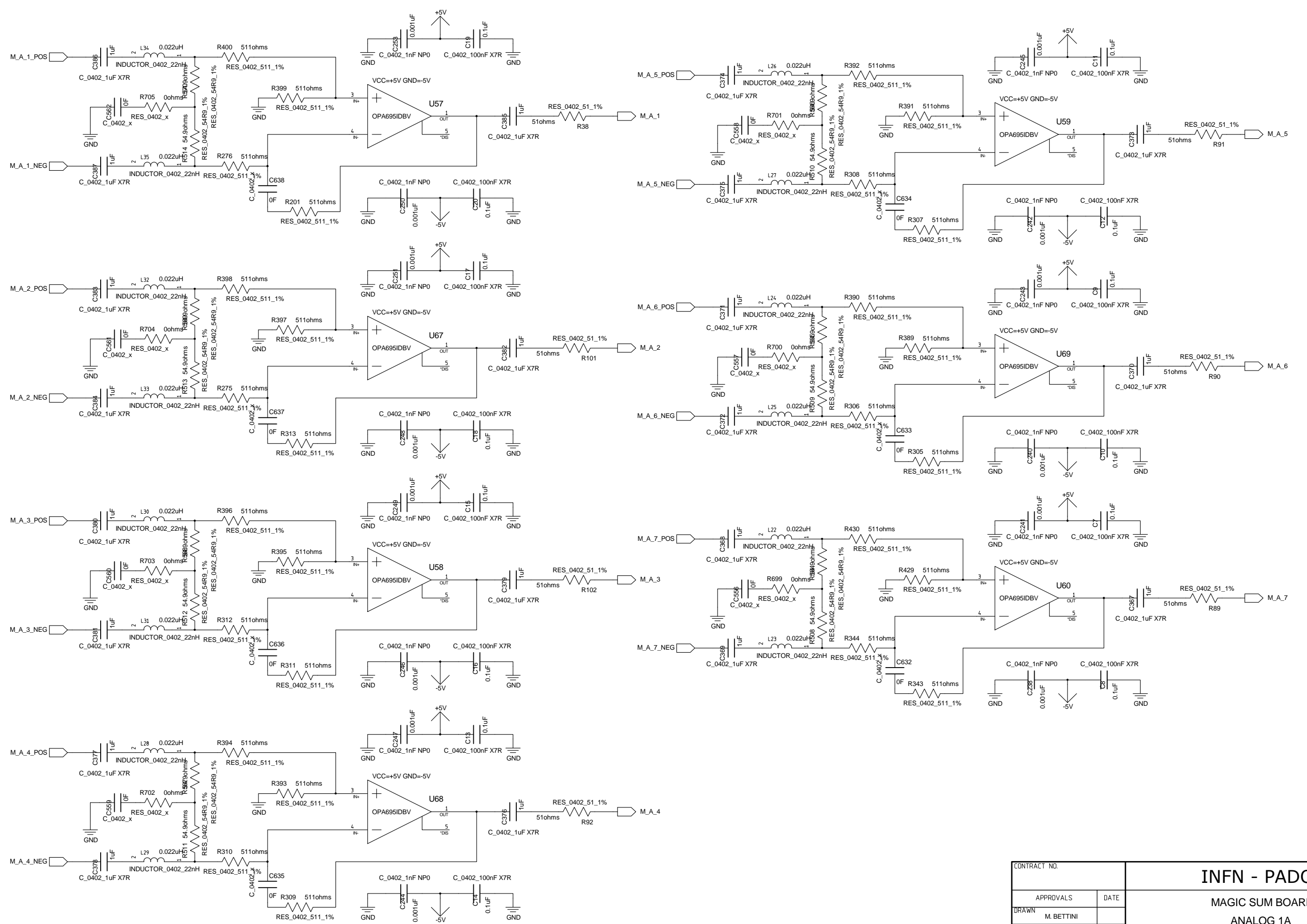
CONTRACT NO.		INFN - PADOVA	
APPROVALS	DATE		
DRAWN	M. BETTINI	MAGIC SUM BOARD	
CHECKED			
ISSUED		SIZE	FSCM NO.
		A3	
		DWG. NO.	MAB01001 v0.0
		SCALE	SHEET 1 OF 18



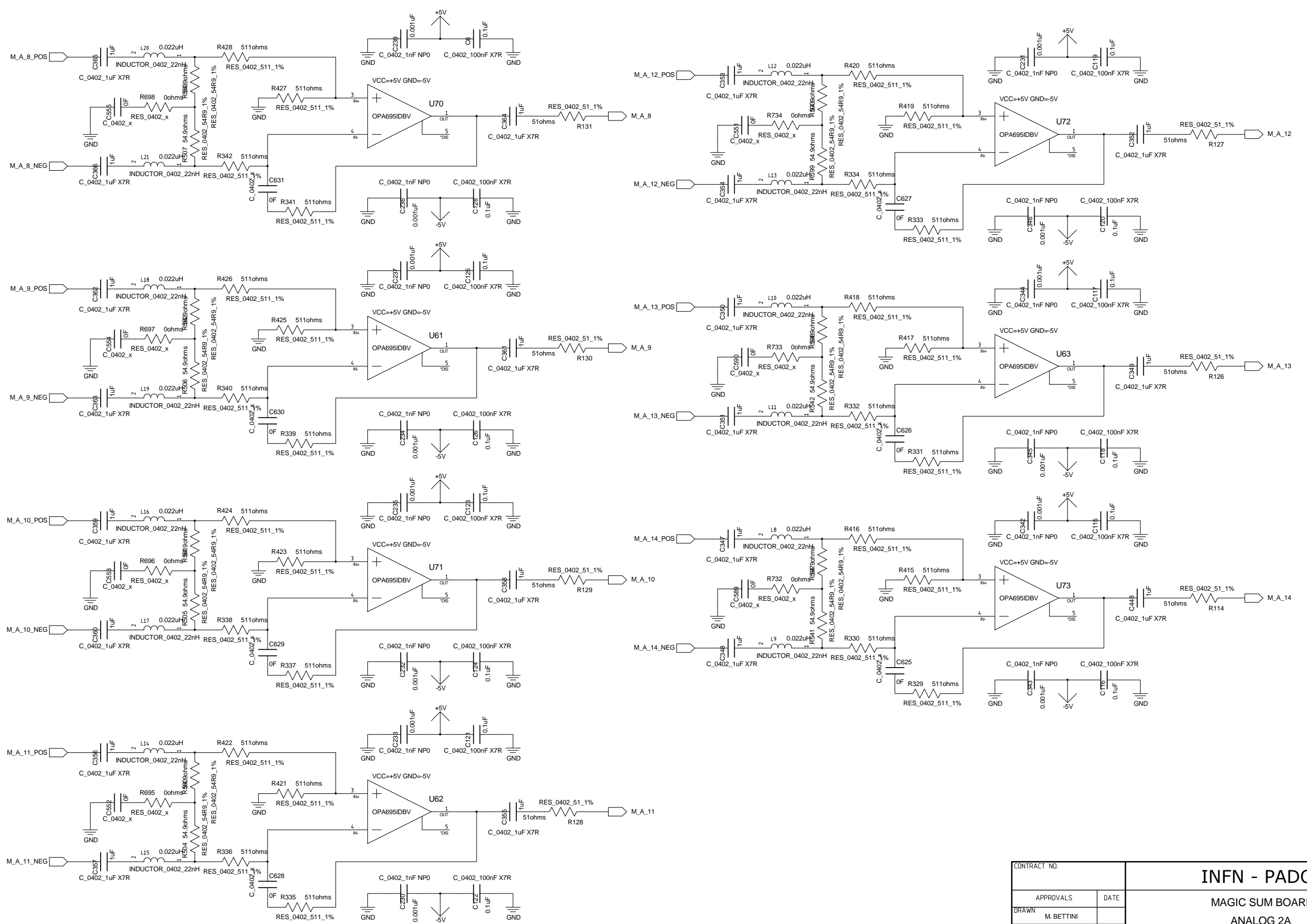
CONTRACT NO.		INFN - PADOVA			
APPROVALS	DATE				
DRAWN	M. BETTINI	MAGIC SUM BOARD			
CHECKED					
ISSUED		SIZE	FSCM NO.	DWG. NO.	REV
		A3		MAB01001 v0.0	
		SCALE	SHEET 2 OF 18		



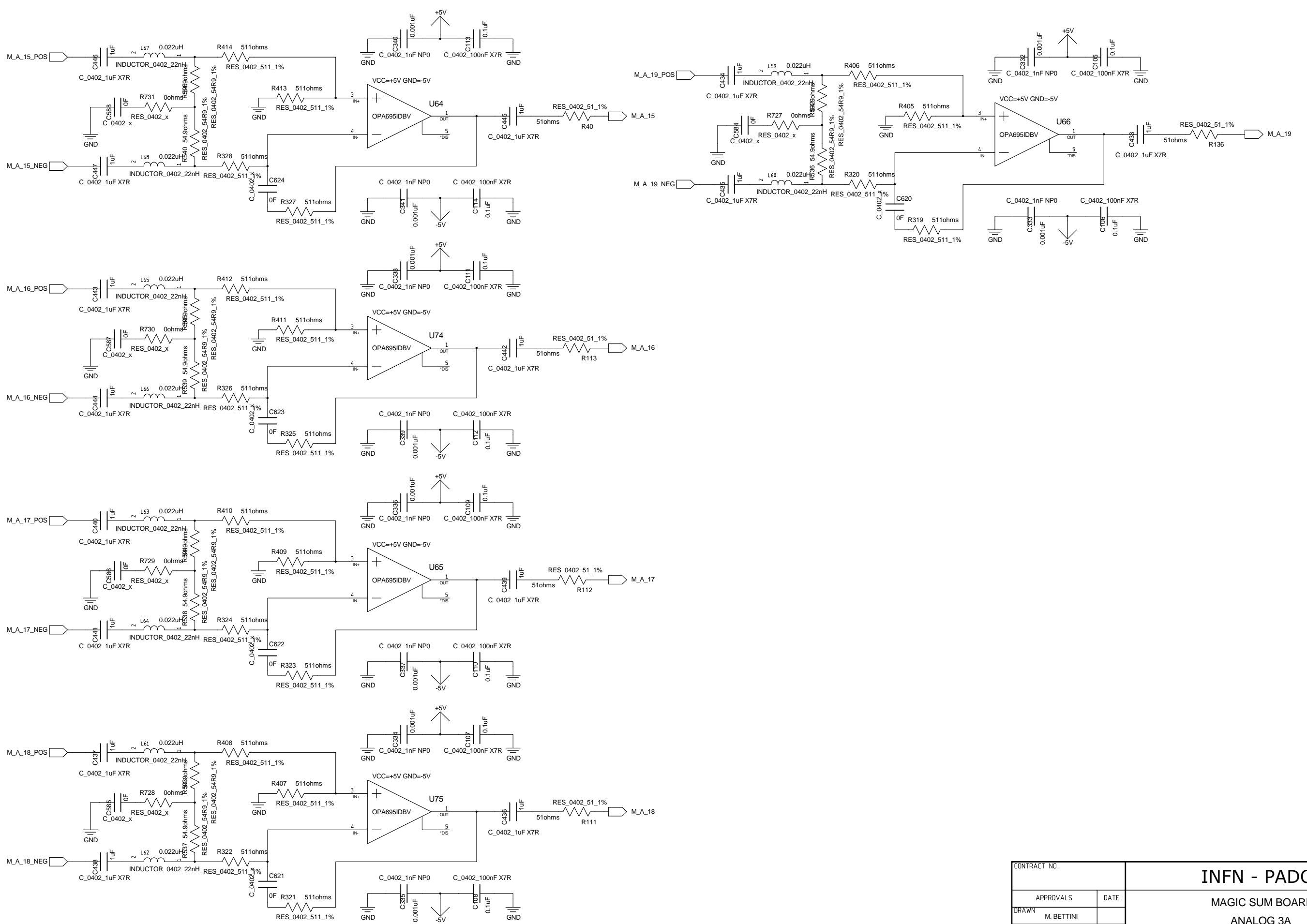
CONTRACT NO.		INFN - PADOVA MAGIC SUM BOARD DIGITAL 2	
APPROVALS	DATE		
DRAWN	M. BETTINI	SIZE	FSCM NO.
CHECKED		DWG. NO.	MAB01001 v0.0
ISSUED		SCALE	REV
		SHEET 3 OF 18	



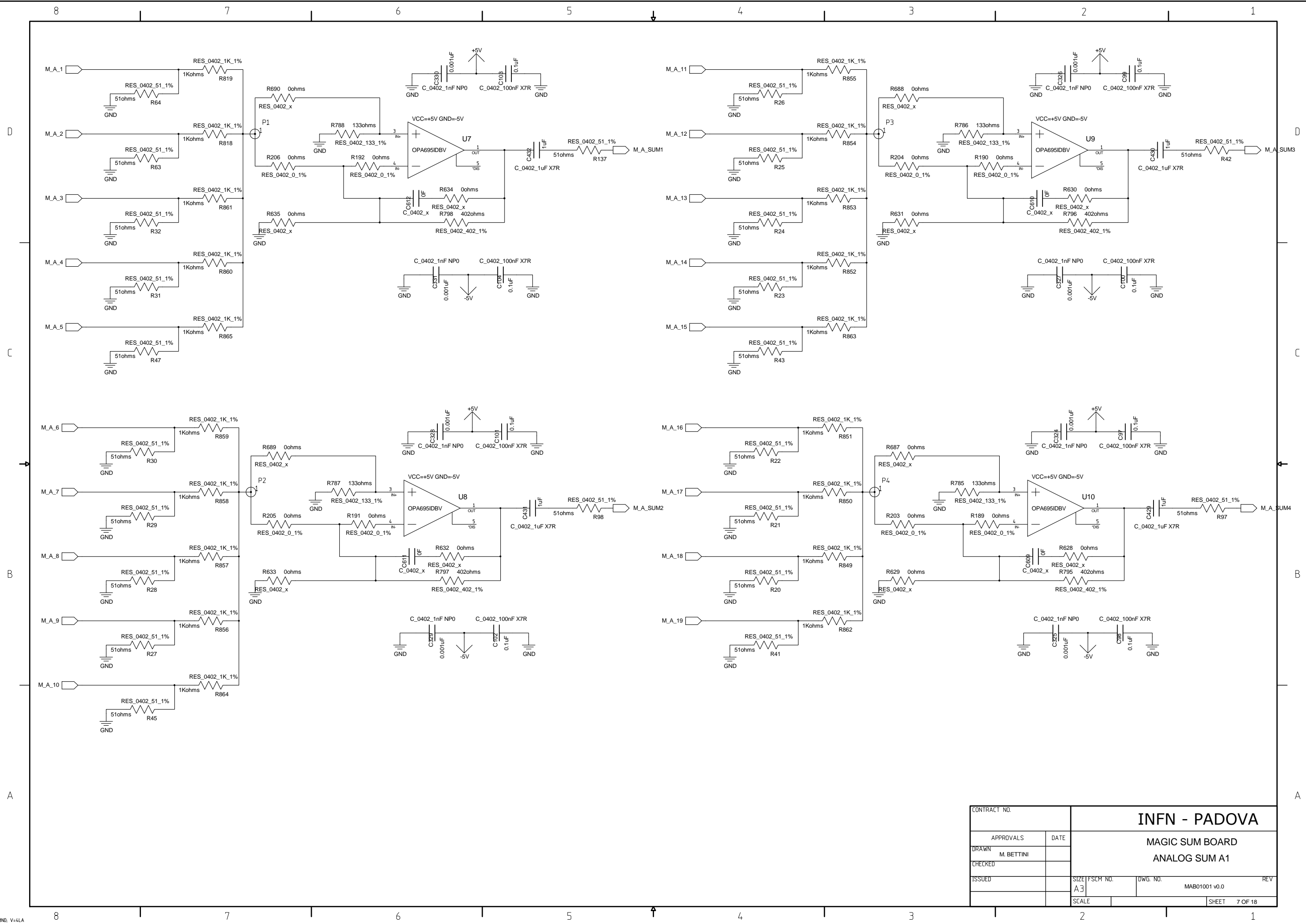
CONTRACT NO.		INFN - PADOVA	
APPROVALS	DATE		
DRAWN M. BETTINI		MAGIC SUM BOARD ANALOG 1A	
CHECKED			
ISSUED	SIZE A3	FSCM NO.	DWG. NO. MAB01001 v0.0
	SCALE		REV
			SHEET 4 OF 18



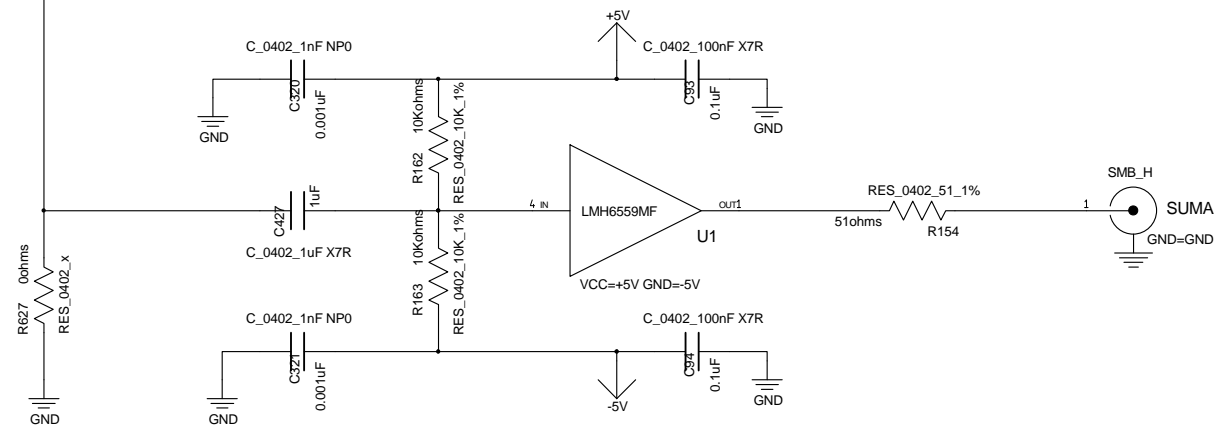
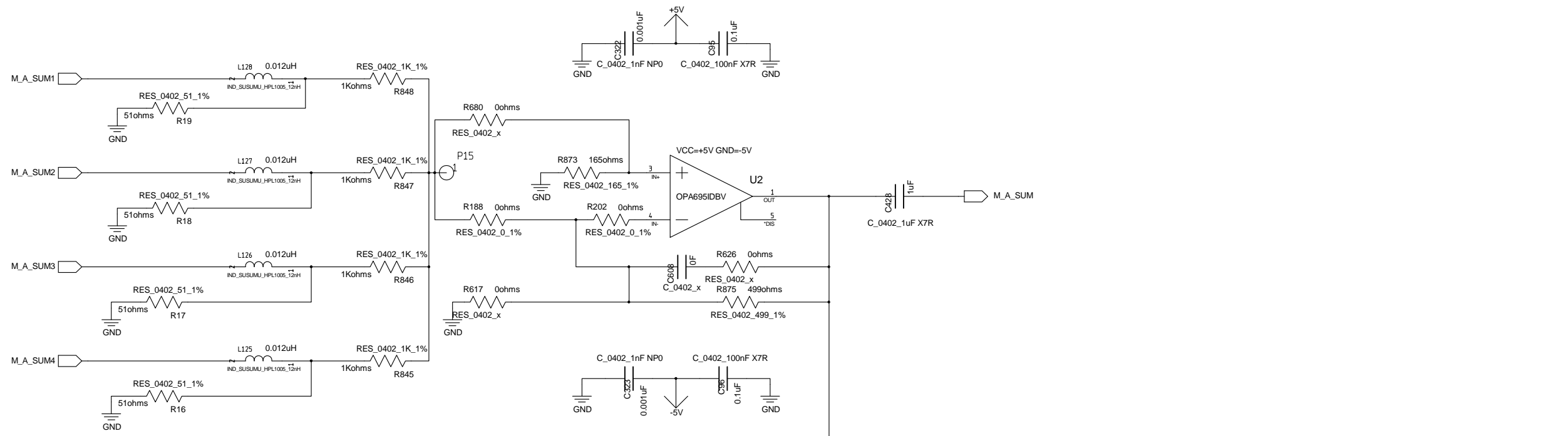
CONTRACT NO.		INFN - PADOVA		
APPROVALS	DATE			
DRAWN M. BETTINI		MAGIC SUM BOARD ANALOG 2A		
CHECKED				
ISSUED	SIZE A3	FSCM NO.	DWG. NO. MAB01001 v0.0	REV
	SCALE		SHEET	5 OF 18



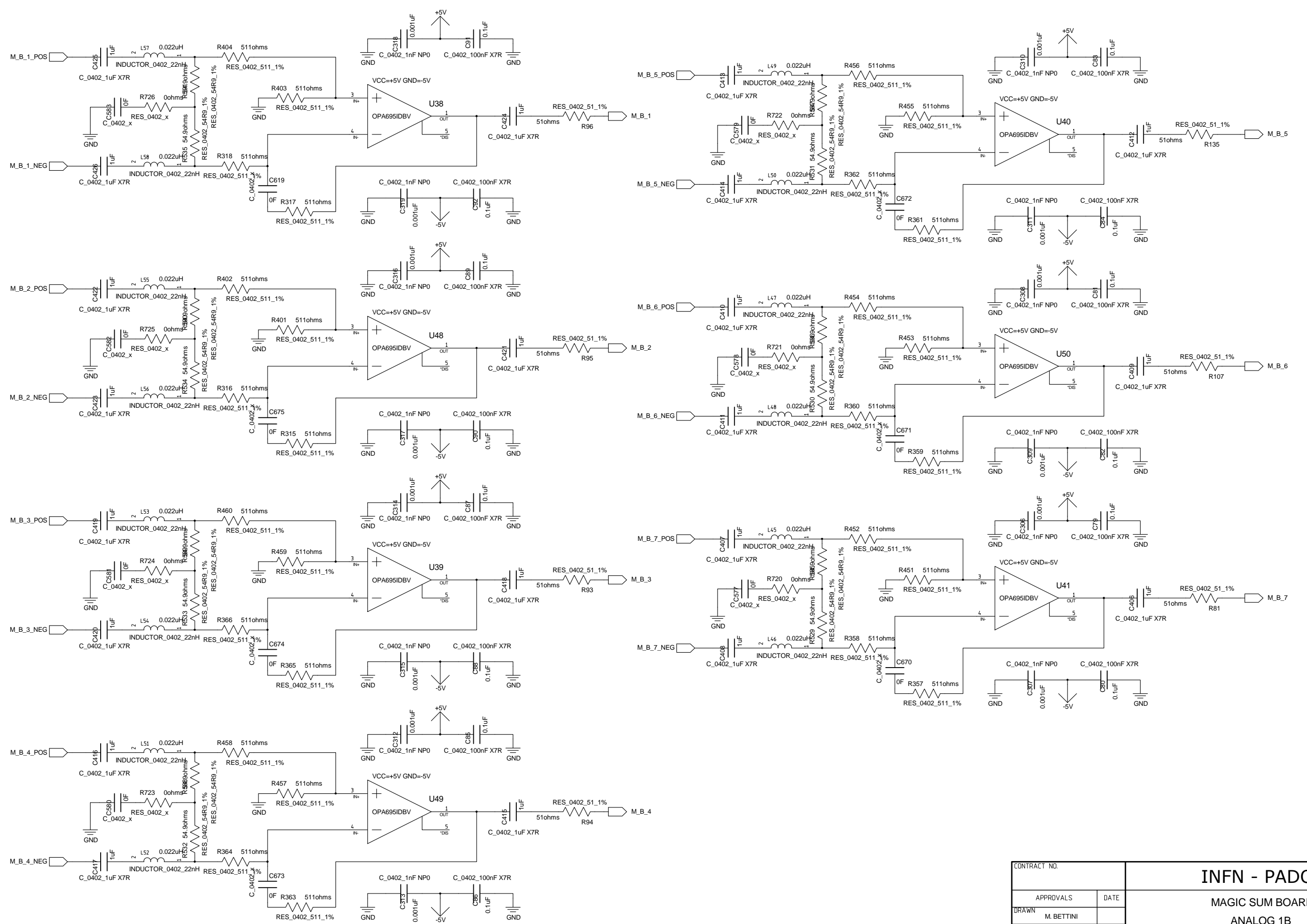
CONTRACT NO.		INFN - PADOVA MAGIC SUM BOARD ANALOG 3A	
APPROVALS	DATE		
DRAWN	M. BETTINI	SIZE	FSCM NO.
CHECKED		DWG. NO.	REV
ISSUED		A3	MAB01001 v0.0
SCALE		SHEET 6 OF 18	



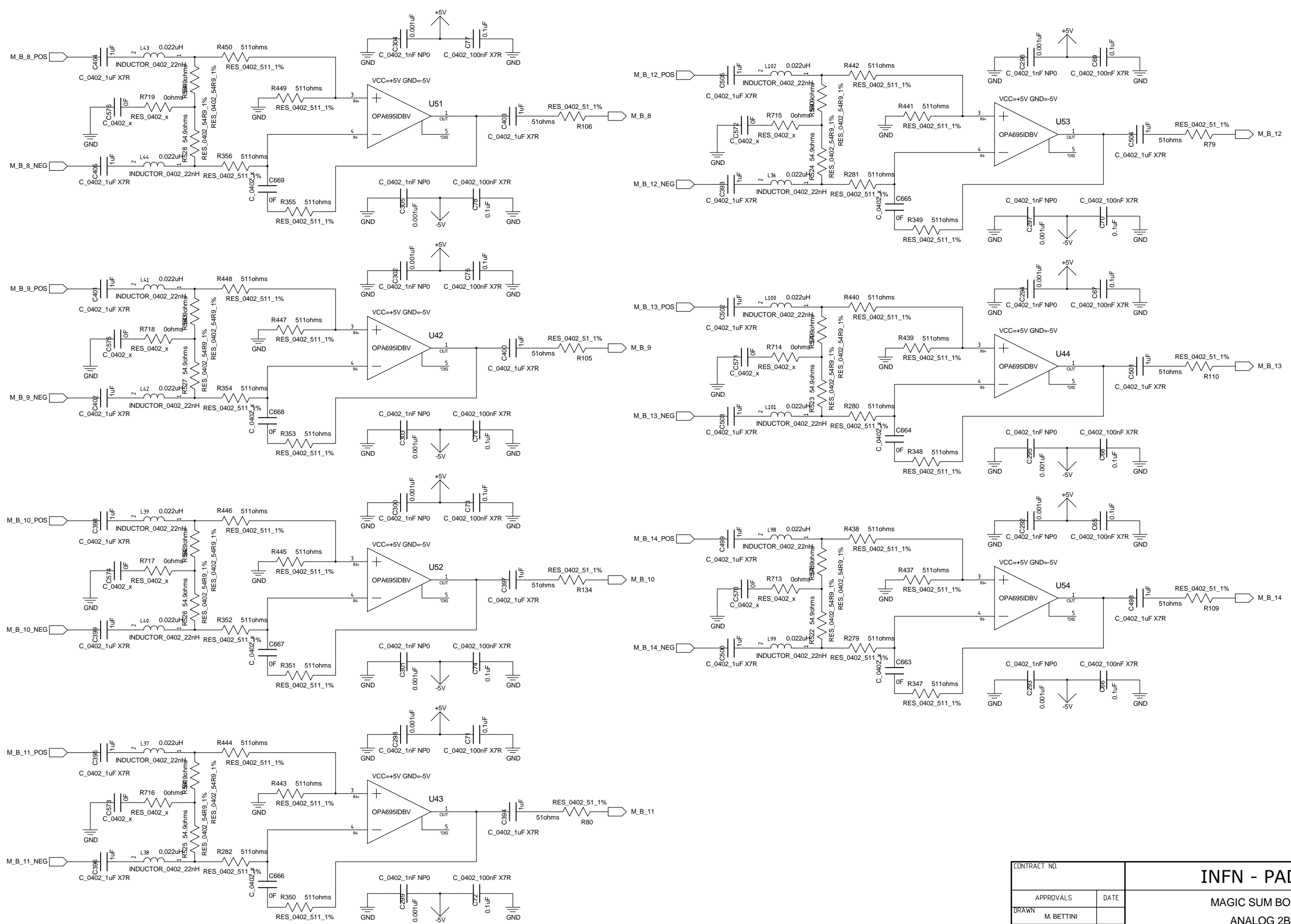
CONTRACT NO.		INFN - PADOVA			
APPROVALS	DATE				
DRAWN	M. BETTINI	MAGIC SUM BOARD			
CHECKED					
ISSUED		SIZE	FSCM NO.	DWG. NO.	REV
		A3		MAB01001 v.0.0	
		SCALE		SHEET	7 OF 18



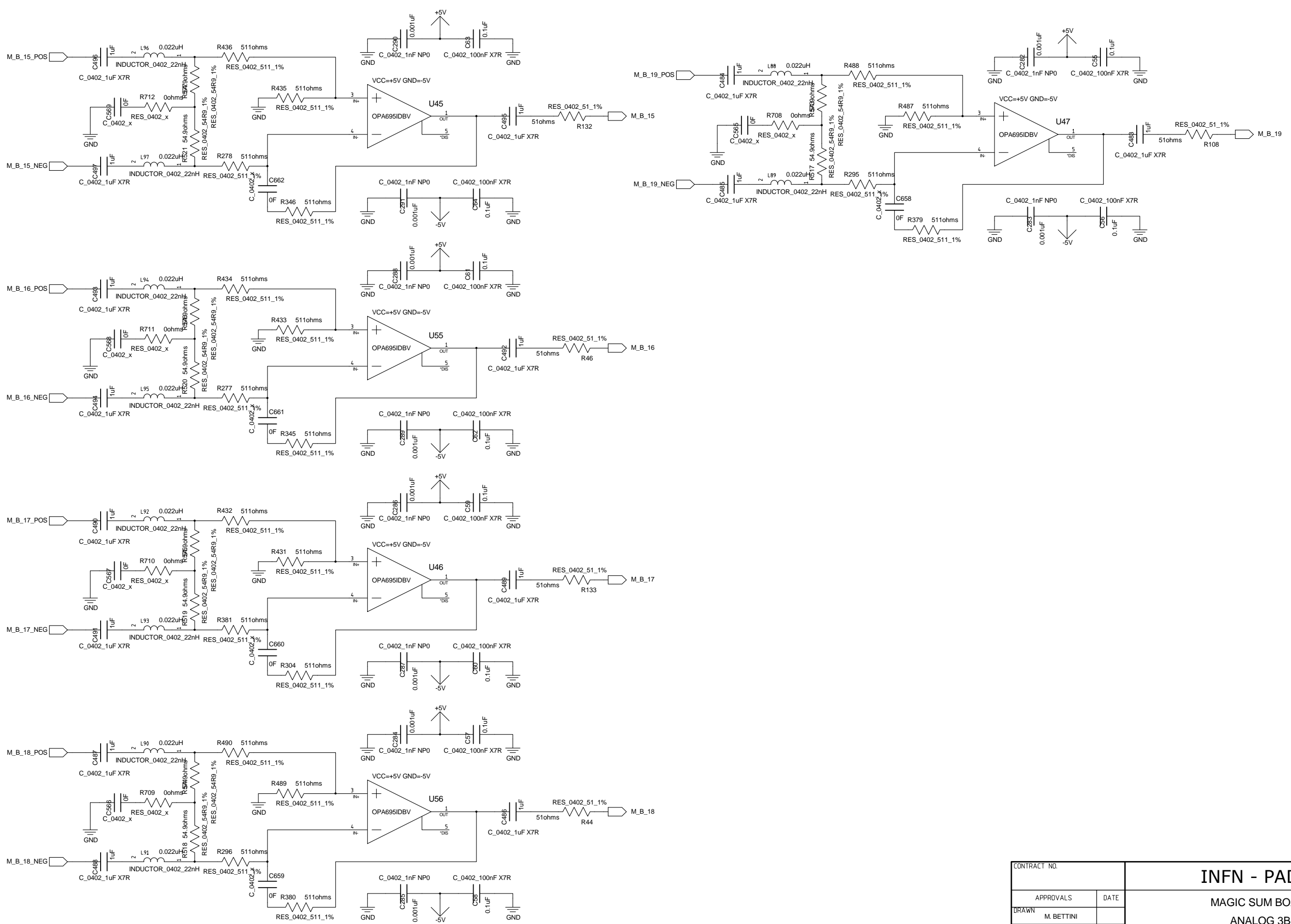
CONTRACT NO.		INFN - PADOVA			
APPROVALS	DATE				
DRAWN M. BETTINI		MAGIC SUM BOARD ANALOG SUM A2			
CHECKED					
ISSUED		SIZE A3	FSCM NO.	DWG. NO.	REV
		SCALE	SHEET		8 OF 18



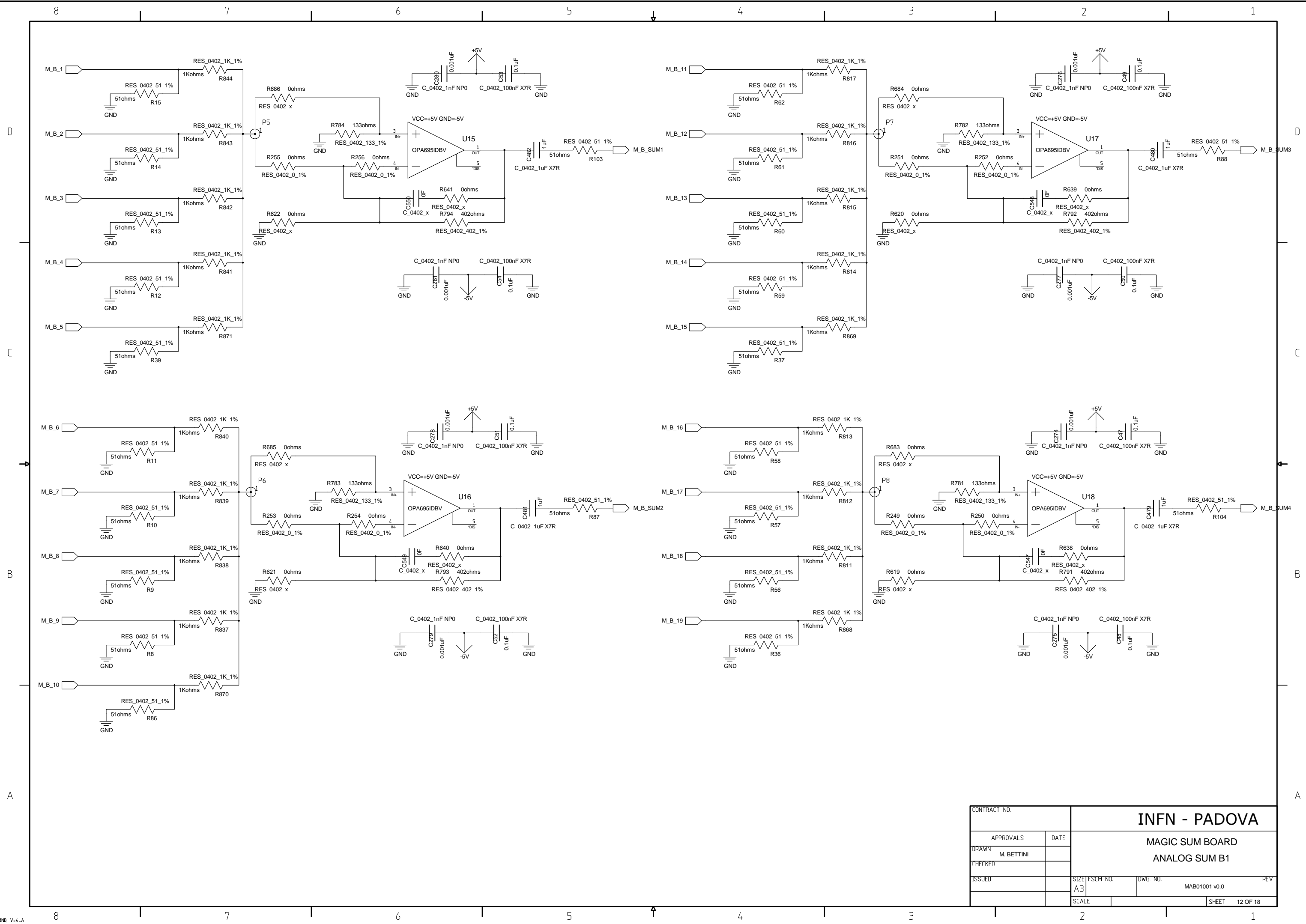
CONTRACT NO.		INFN - PADOVA	
APPROVALS	DATE		
DRAWN M. BETTINI		MAGIC SUM BOARD ANALOG 1B	
CHECKED			
ISSUED	SIZE A3	FSCM NO.	DWG. NO. MAB01001 v0.0
	SCALE		REV
			SHEET 9 OF 18



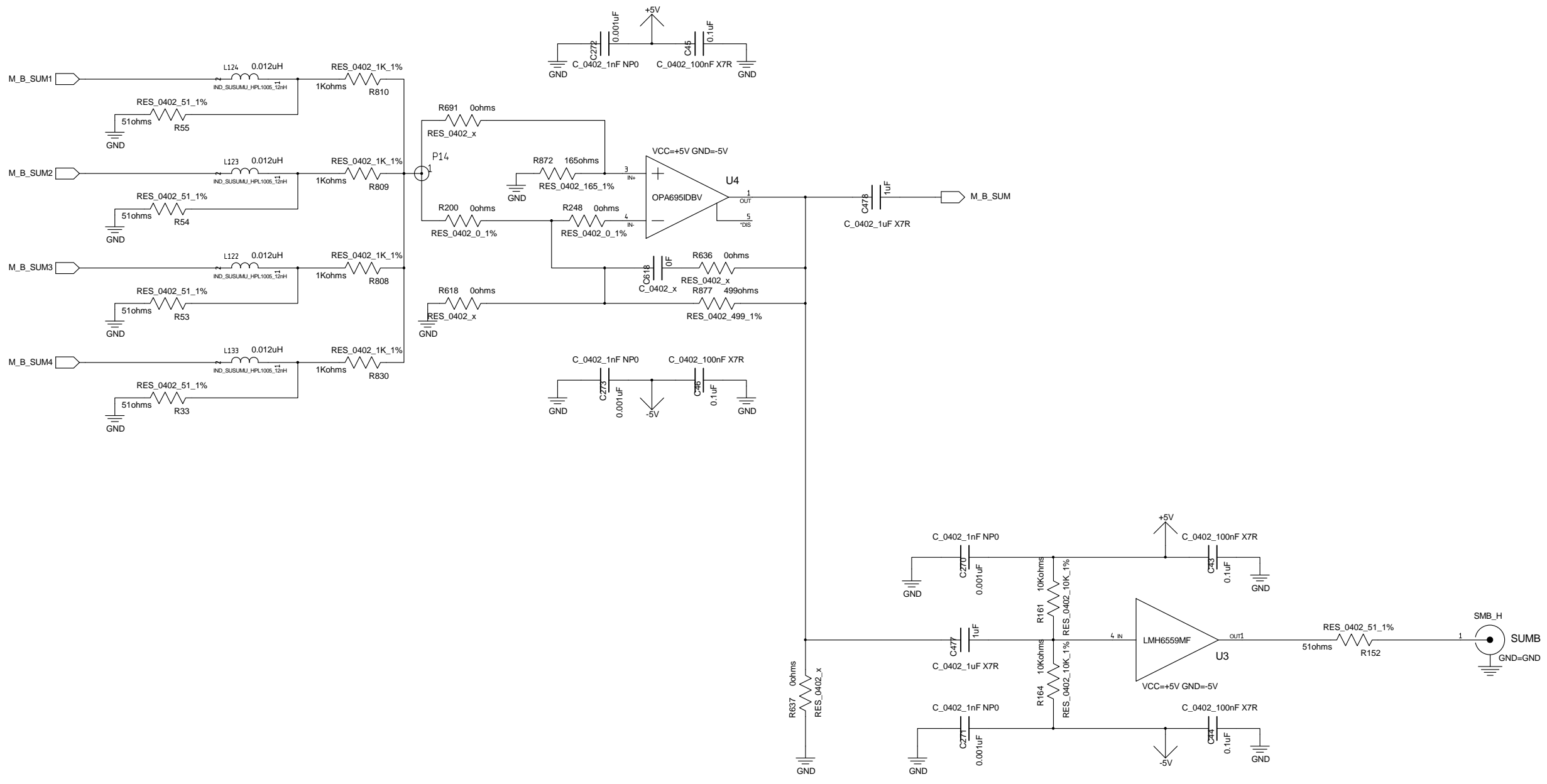
CONTRACT NO.		INFN - PADOVA	
APPROVALS	DATE		
DRAWN M. BETTINI		MAGIC SUM BOARD ANALOG 2B	
CHECKED			
ISSUED	SIZE A3	FSCM NO.	DWG. NO. MAB01001 v0.0
	SCALE		REV
		SHEET	10 OF 18



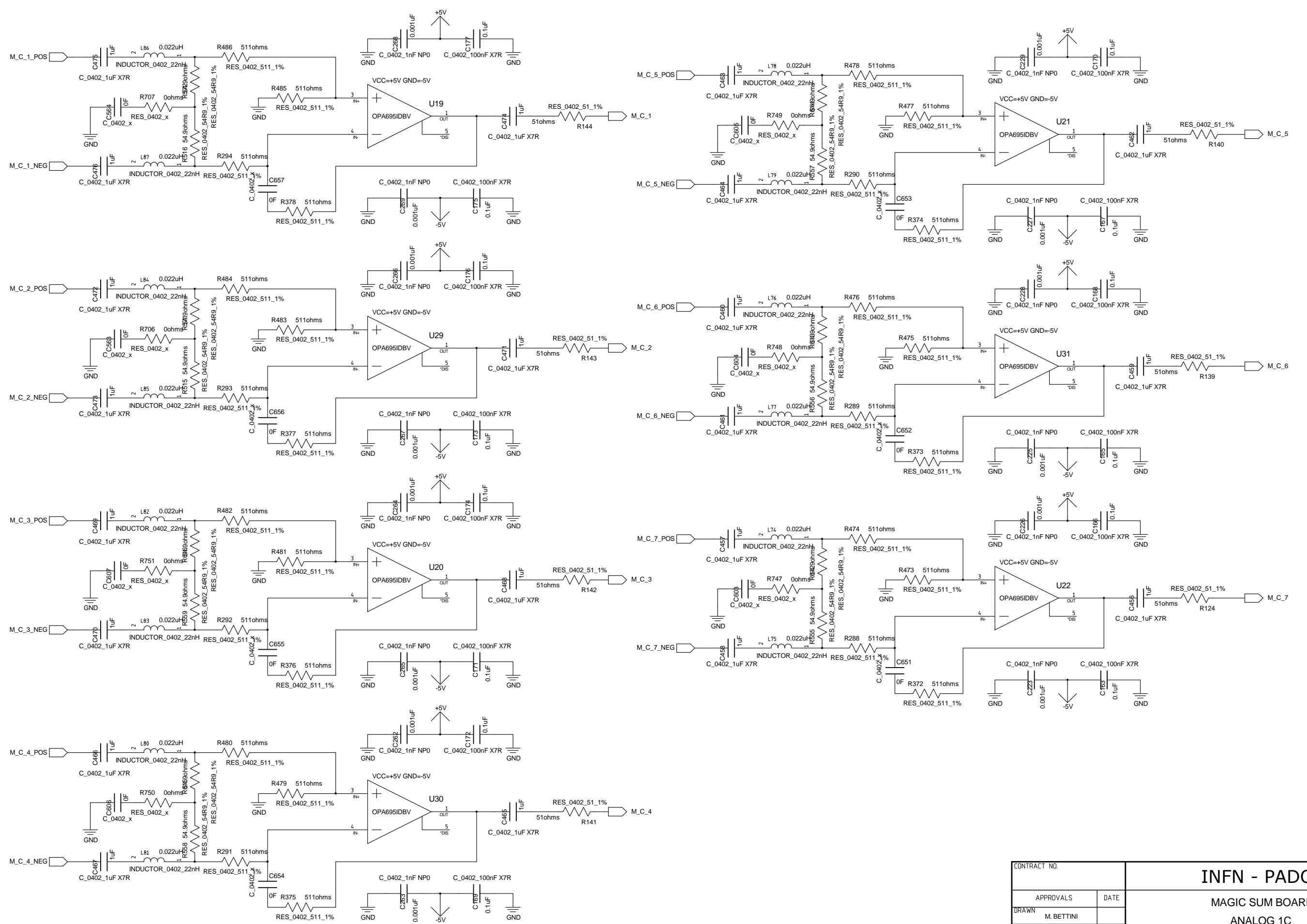
CONTRACT NO.		INFN - PADOVA	
APPROVALS	DATE		
DRAWN M. BETTINI		MAGIC SUM BOARD	
CHECKED			
ISSUED		SIZE A3	FSCM NO.
		DWG. NO.	REV
		MAB01001 v0.0	
		SCALE	SHEET 11 OF 18



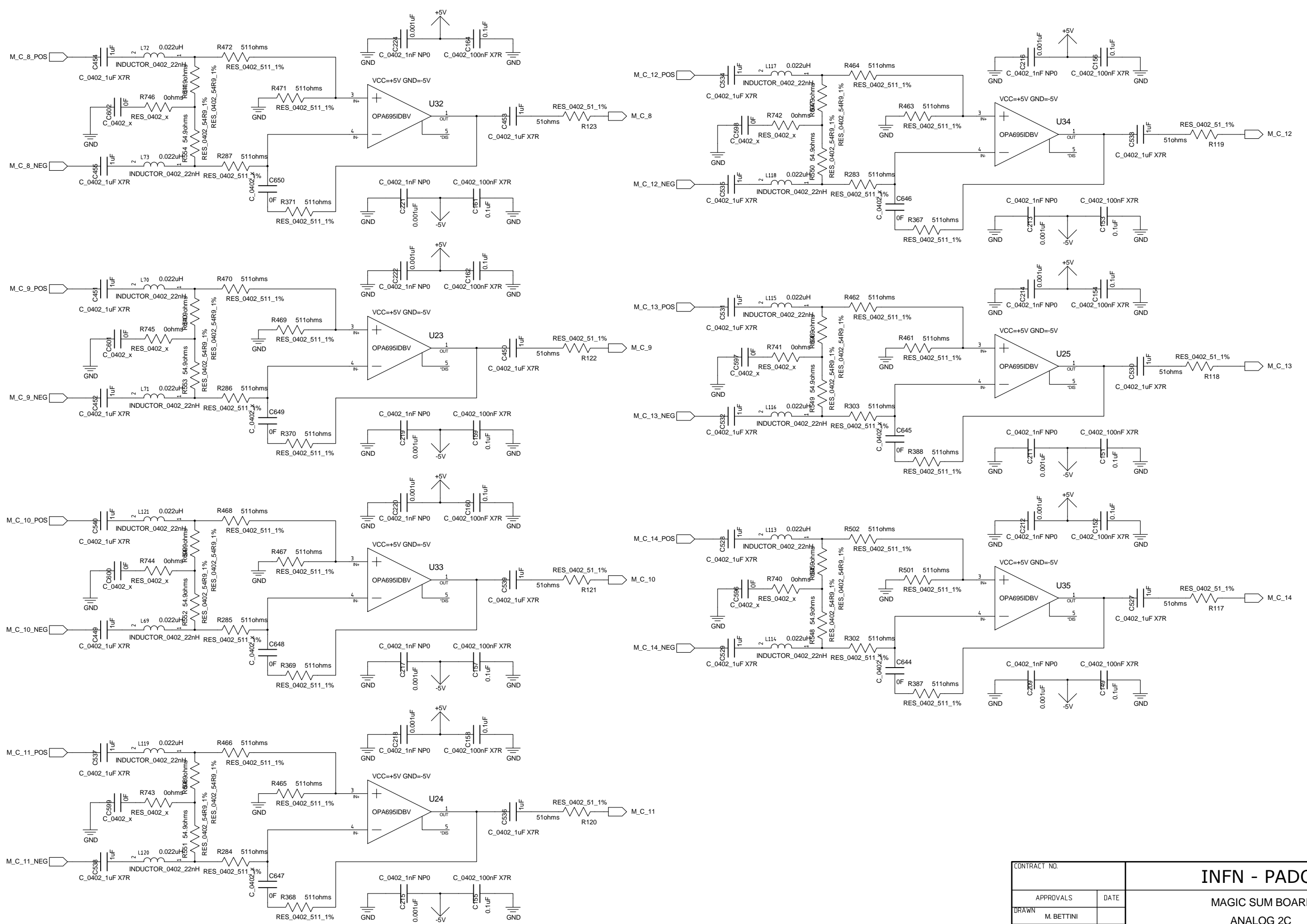
CONTRACT NO.		INFN - PADOVA			
APPROVALS	DATE				
DRAWN	M. BETTINI	MAGIC SUM BOARD ANALOG SUM B1			
CHECKED					
ISSUED		SIZE	FSCM NO.	DWG. NO.	REV
		A3		MAB01001 v.0.0	
		SCALE		SHEET	12 OF 18



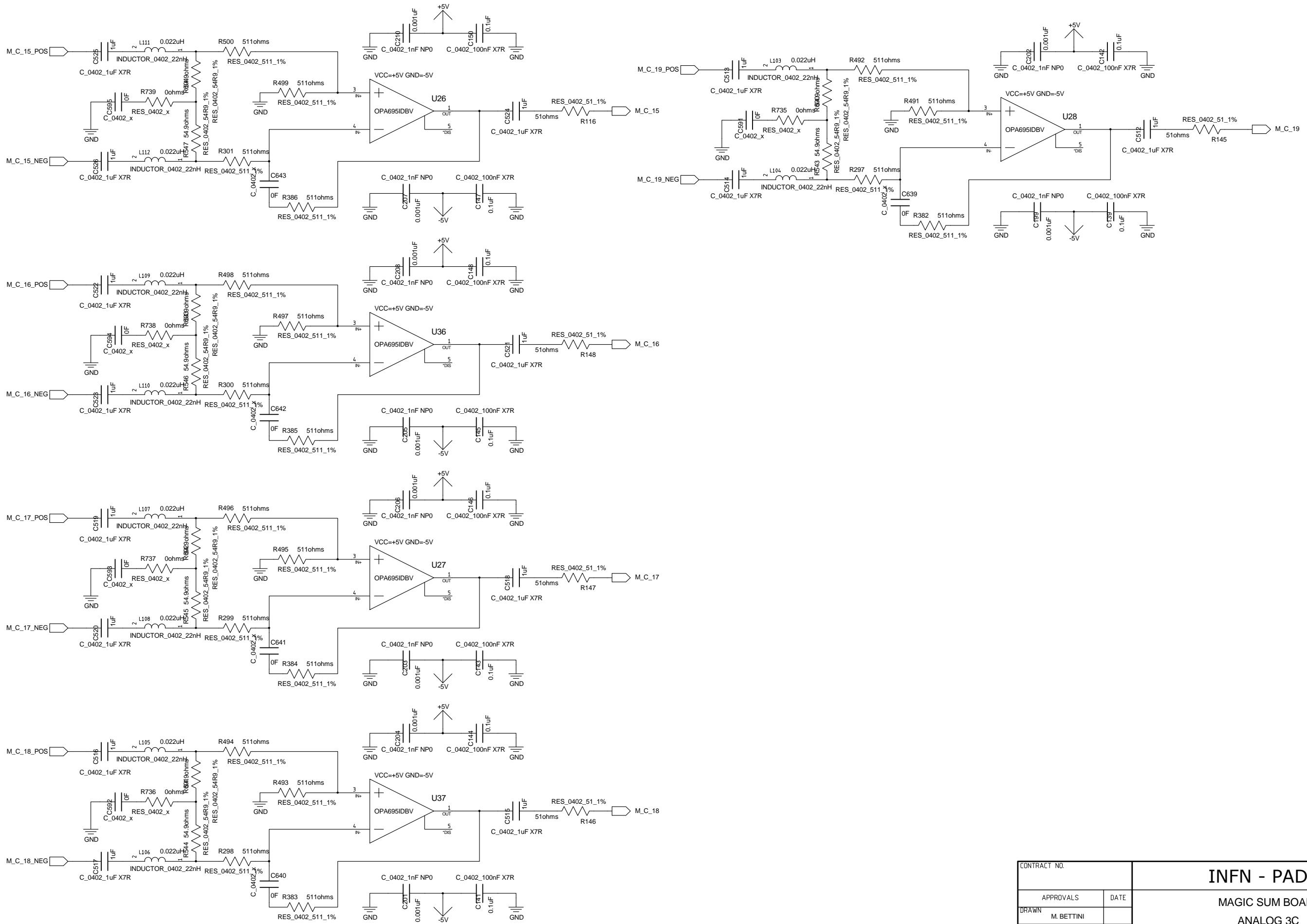
CONTRACT NO.		INFN - PADOVA	
APPROVALS	DATE		
DRAWN M. BETTINI		MAGIC SUM BOARD ANALOG SUM B2	
CHECKED			
ISSUED	SIZE A3	FSCM NO.	DWG. NO. MAB01001 v0.0
SCALE		SHEET 13 OF 18	



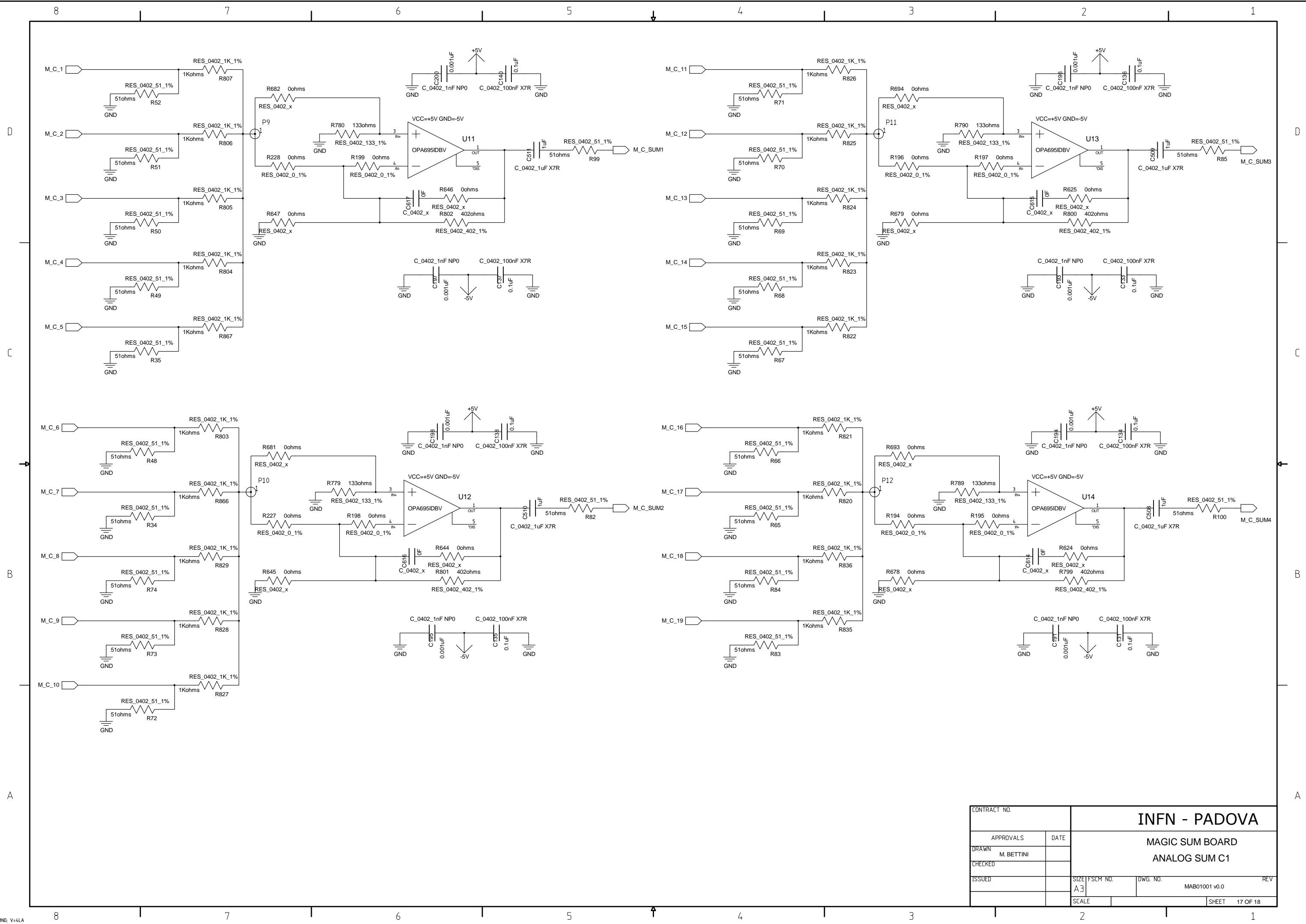
CONTRACT NO.		INFN - PADOVA			
APPROVALS	DATE				
DRAWN M. BETTINI		MAGIC SUM BOARD ANALOG 1C			
CHECKED					
ISSUED		SIZE A3	FSCM NO.	DWG. NO. MAB01001 v0.0	REV
		SCALE		SHEET 14 OF 18	



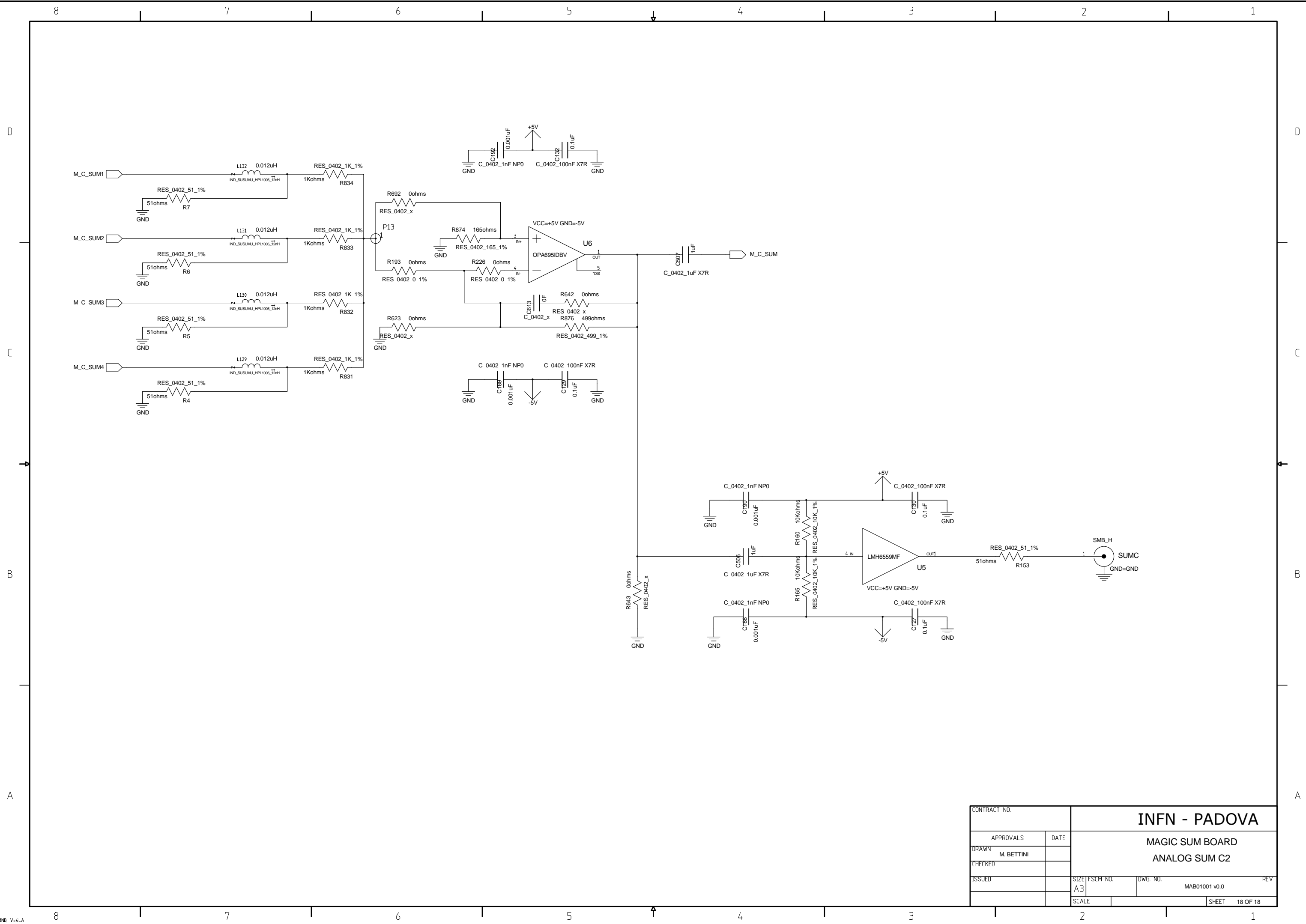
CONTRACT NO.		INFN - PADOVA	
APPROVALS	DATE		
DRAWN M. BETTINI		MAGIC SUM BOARD ANALOG 2C	
CHECKED			
ISSUED	SIZE A3	FSCM NO.	DWG. NO. MAB01001 v0.0
	SCALE		REV
			SHEET 15 OF 18



CONTRACT NO.		INFN - PADOVA MAGIC SUM BOARD ANALOG 3C	
APPROVALS	DATE		
DRAWN	M. BETTINI	SIZE	FSCM NO.
CHECKED		DWG. NO.	REV
ISSUED		A3	MAB01001 v0.0
		SCALE	SHEET 16 OF 18



CONTRACT NO.		INFN - PADOVA			
APPROVALS	DATE				
DRAWN	M. BETTINI	MAGIC SUM BOARD			
CHECKED					
ISSUED		SIZE	FSCM NO.	DWG. NO.	REV
		A3		MAB01001 v.0.0	
		SCALE		SHEET	17 OF 18



CONTRACT NO.		INFN - PADOVA	
APPROVALS	DATE		
DRAWN M. BETTINI		MAGIC SUM BOARD	
CHECKED			
ISSUED		SIZE A3	FSCM NO.
		DWG. NO.	REV
		SCALE	SHEET 18 OF 18