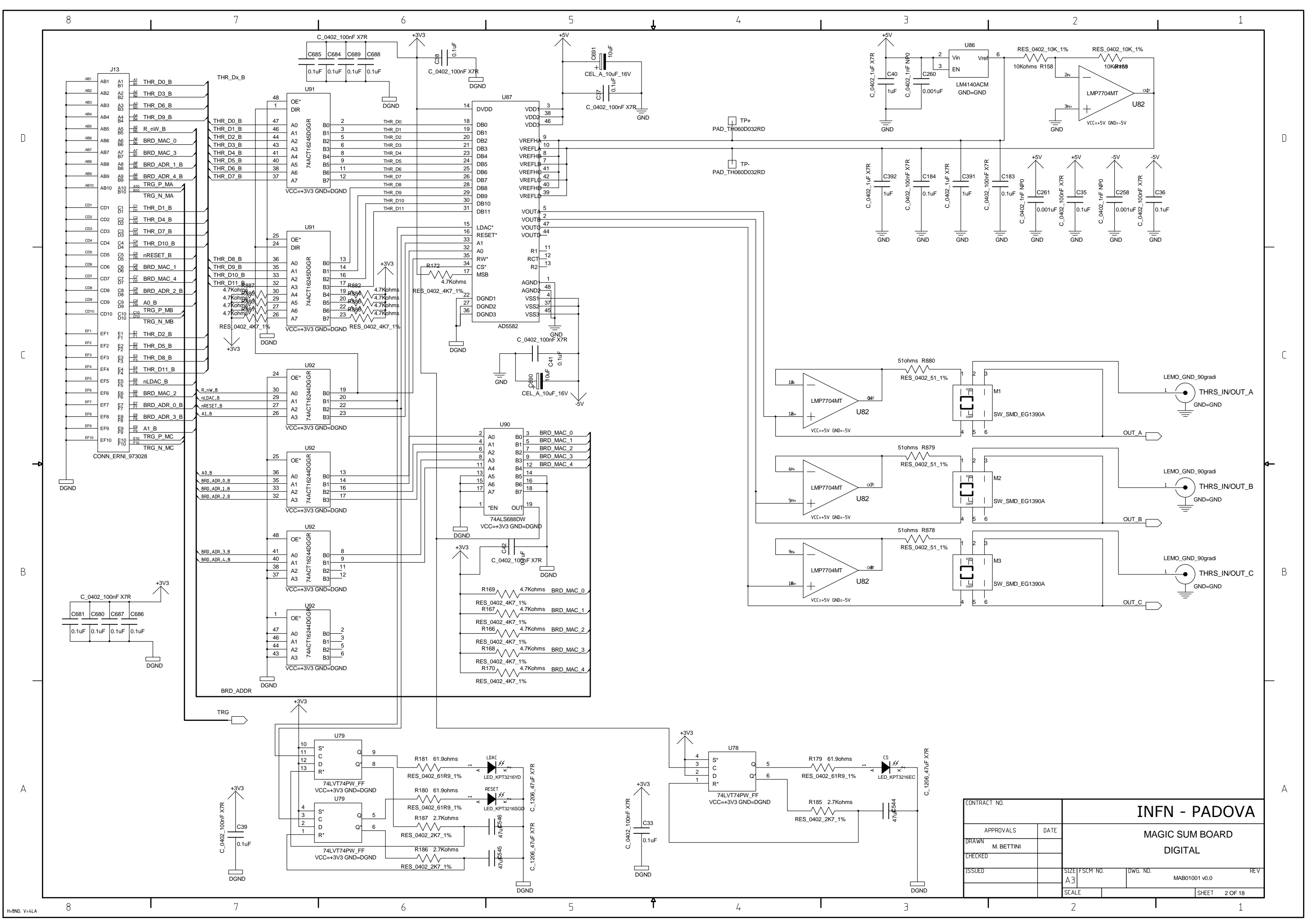
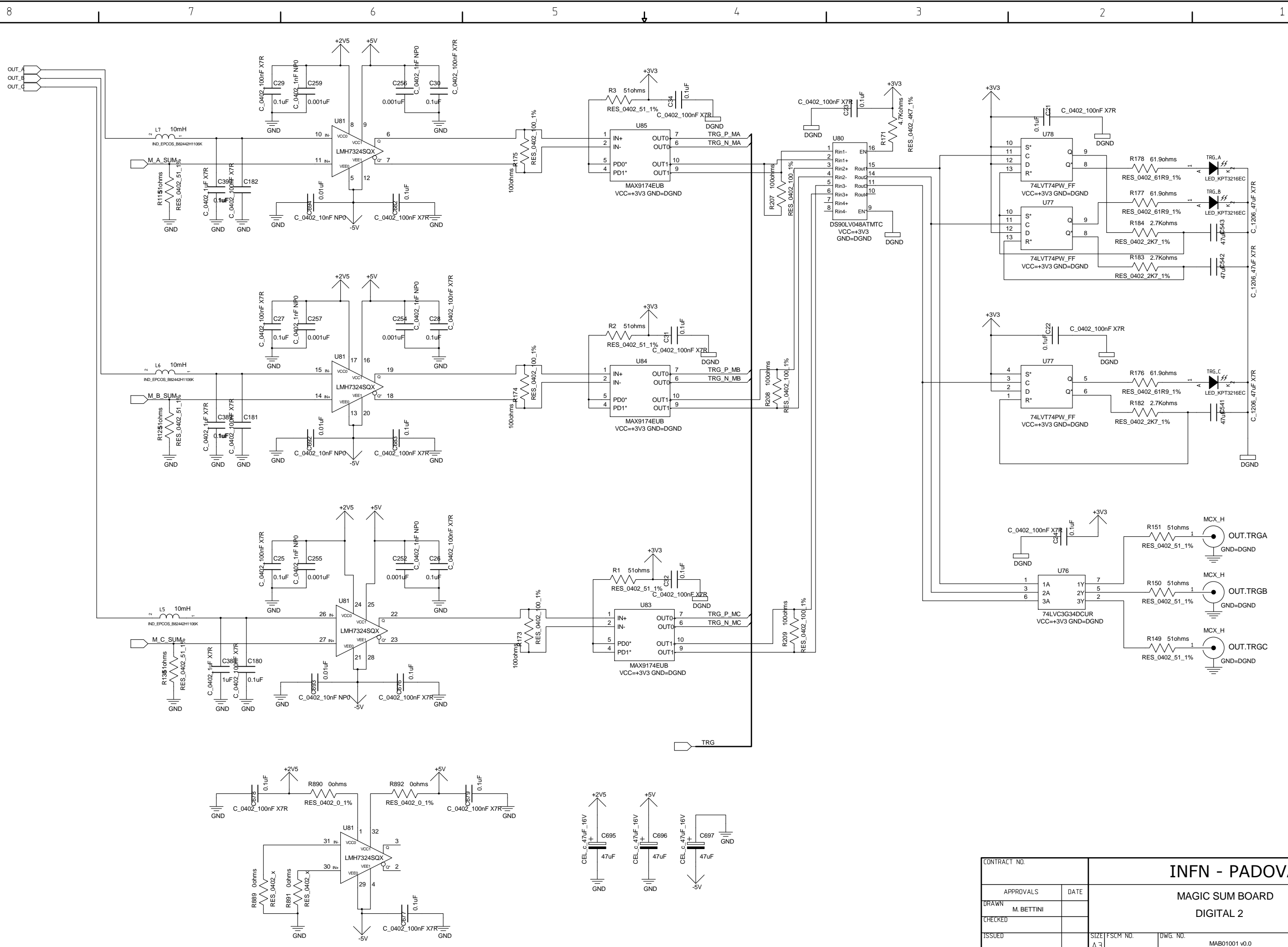


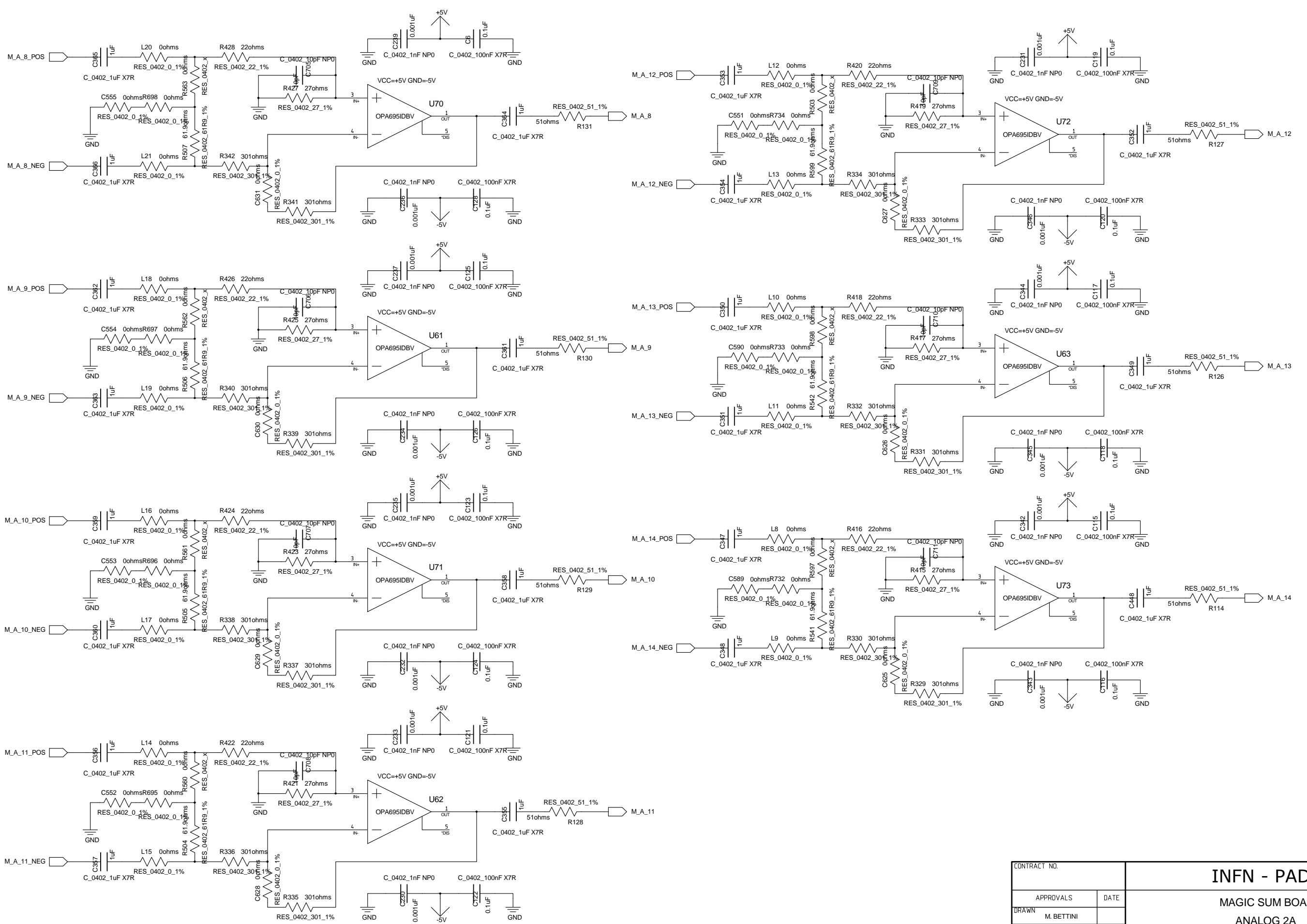
CONTRACT NO.		INFN - PADOVA	
APPROVALS	DATE		
DRAWN M. BETTINI		MAGIC SUM BOARD POWER SUPPLY	
CHECKED			
ISSUED	SIZE A3	FSCM NO.	DWG. NO. MAB01001 v0.0
SCALE		SHEET 1 OF 18	



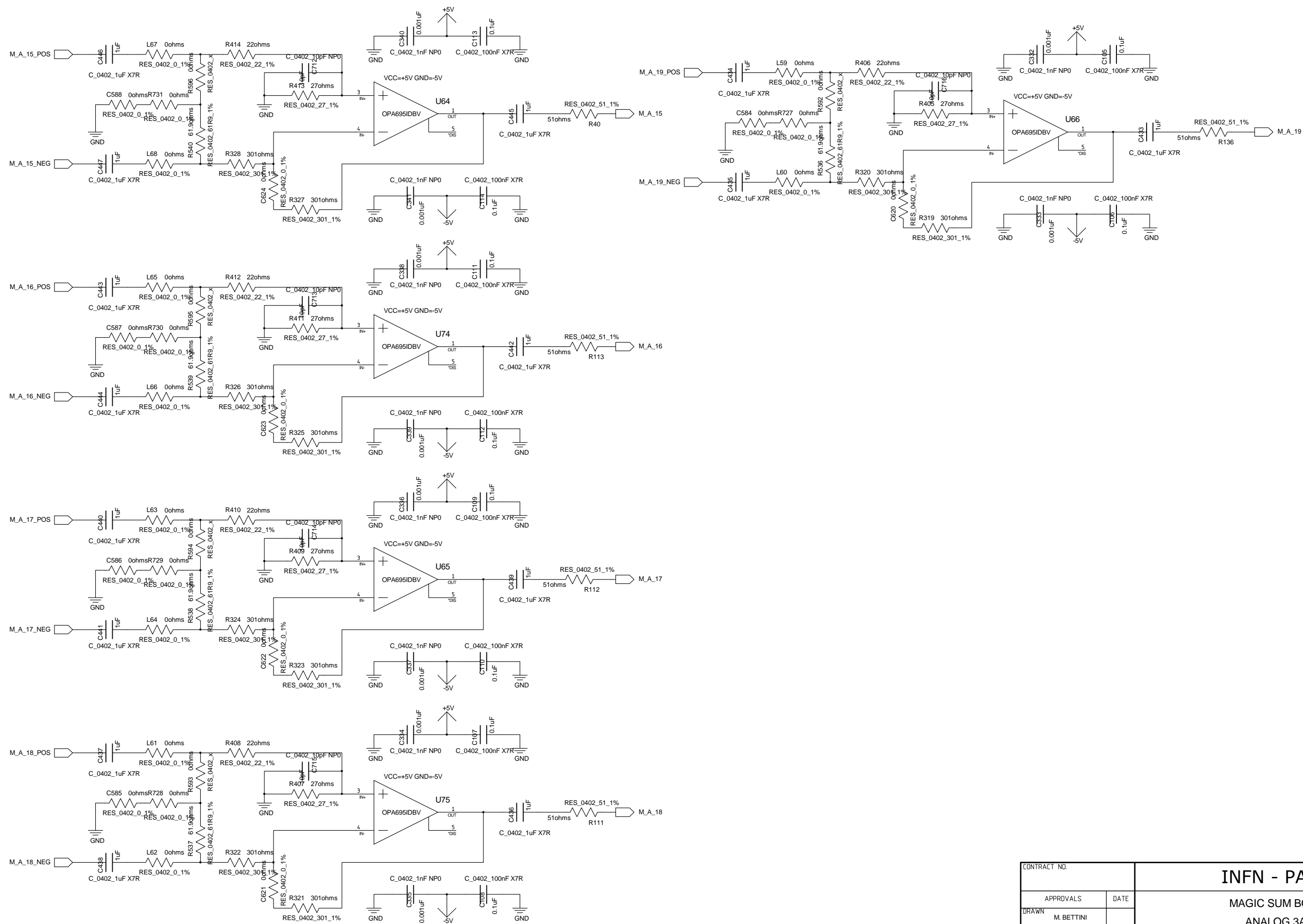
CONTRACT NO.		INFN - PADOVA			
APPROVALS	DATE				
DRAWN	M. BETTINI	MAGIC SUM BOARD			
CHECKED				DIGITAL	
ISSUED		SIZE	FSCM NO.		
		A3		MAB01001 v0.0	
		SCALE		SHEET 2 OF 18	



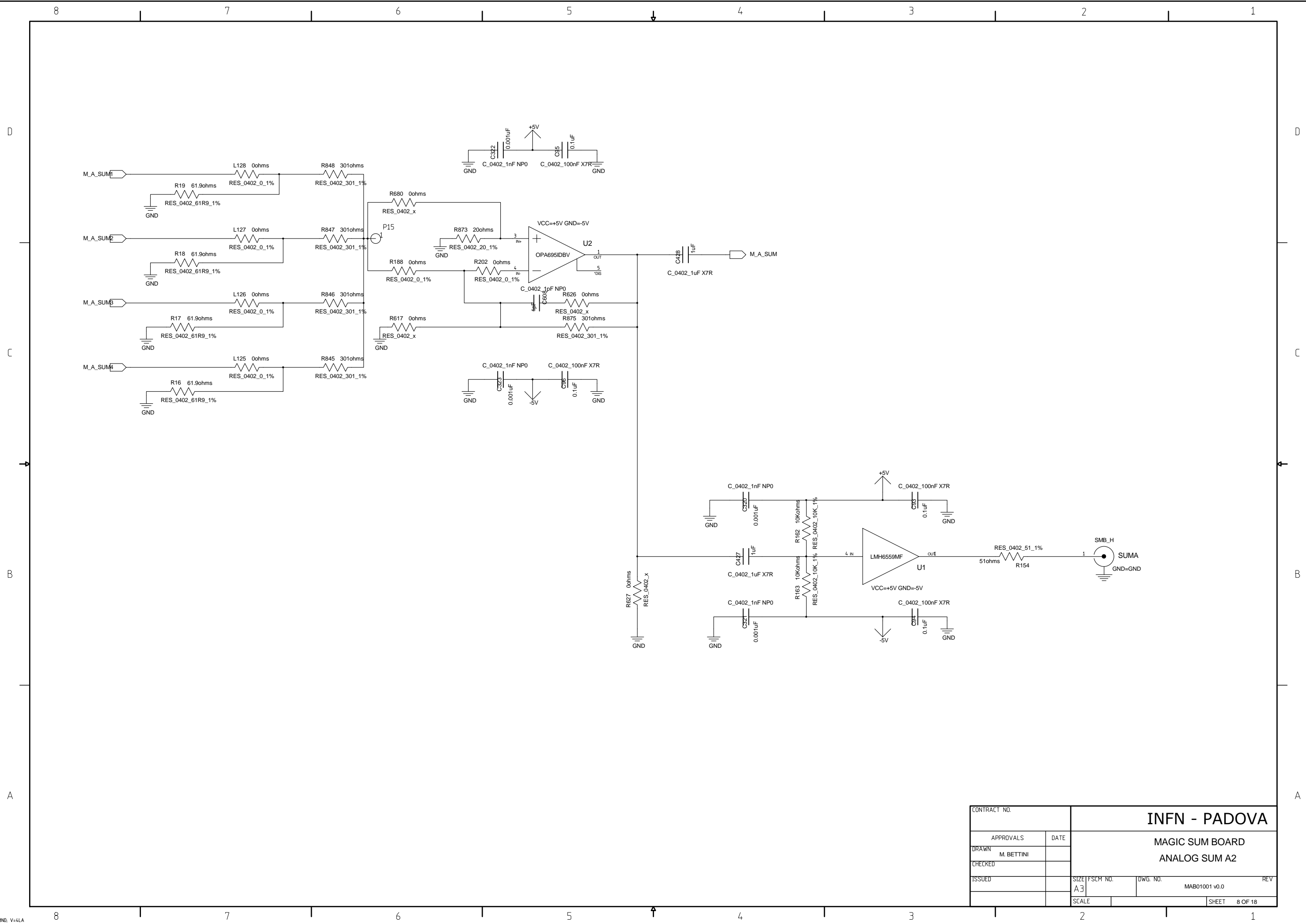
CONTRACT NO.		INFN - PADOVA	
APPROVALS	DATE		
DRAWN	M. BETTINI	MAGIC SUM BOARD	
CHECKED		DIGITAL 2	
ISSUED		SIZE	FSCM NO.
		A3	MAB01001 v0.0
		DWG. NO.	REV
		SCALE	SHEET 3 OF 18



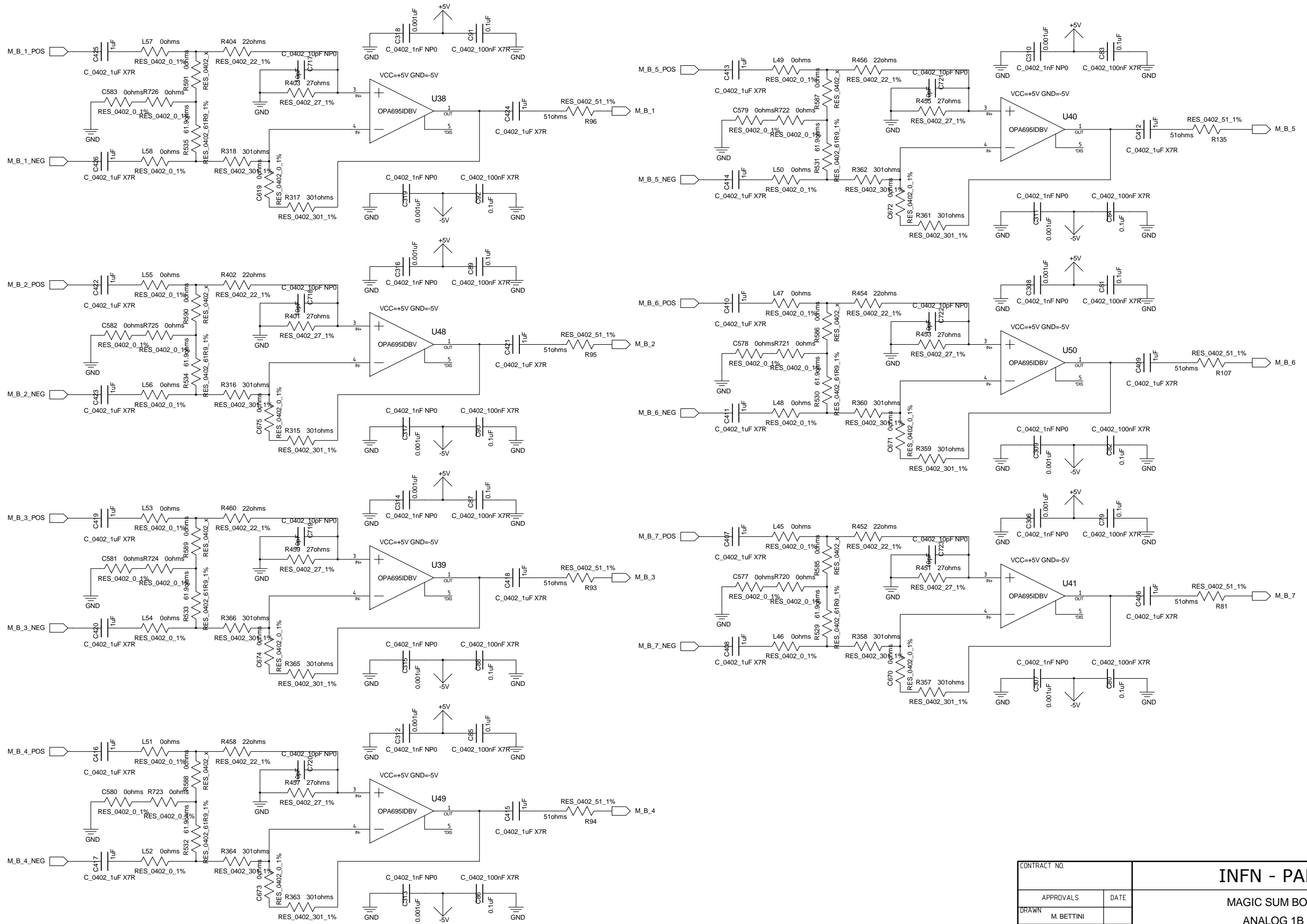
CONTRACT NO.		INFN - PADOVA			
APPROVALS	DATE				
DRAWN M. BETTINI		MAGIC SUM BOARD ANALOG 2A			
CHECKED					
ISSUED		SIZE A3	FSCM NO.	DWG. NO. MAB01001 v0.0	REV
		SCALE		SHEET 5 OF 18	



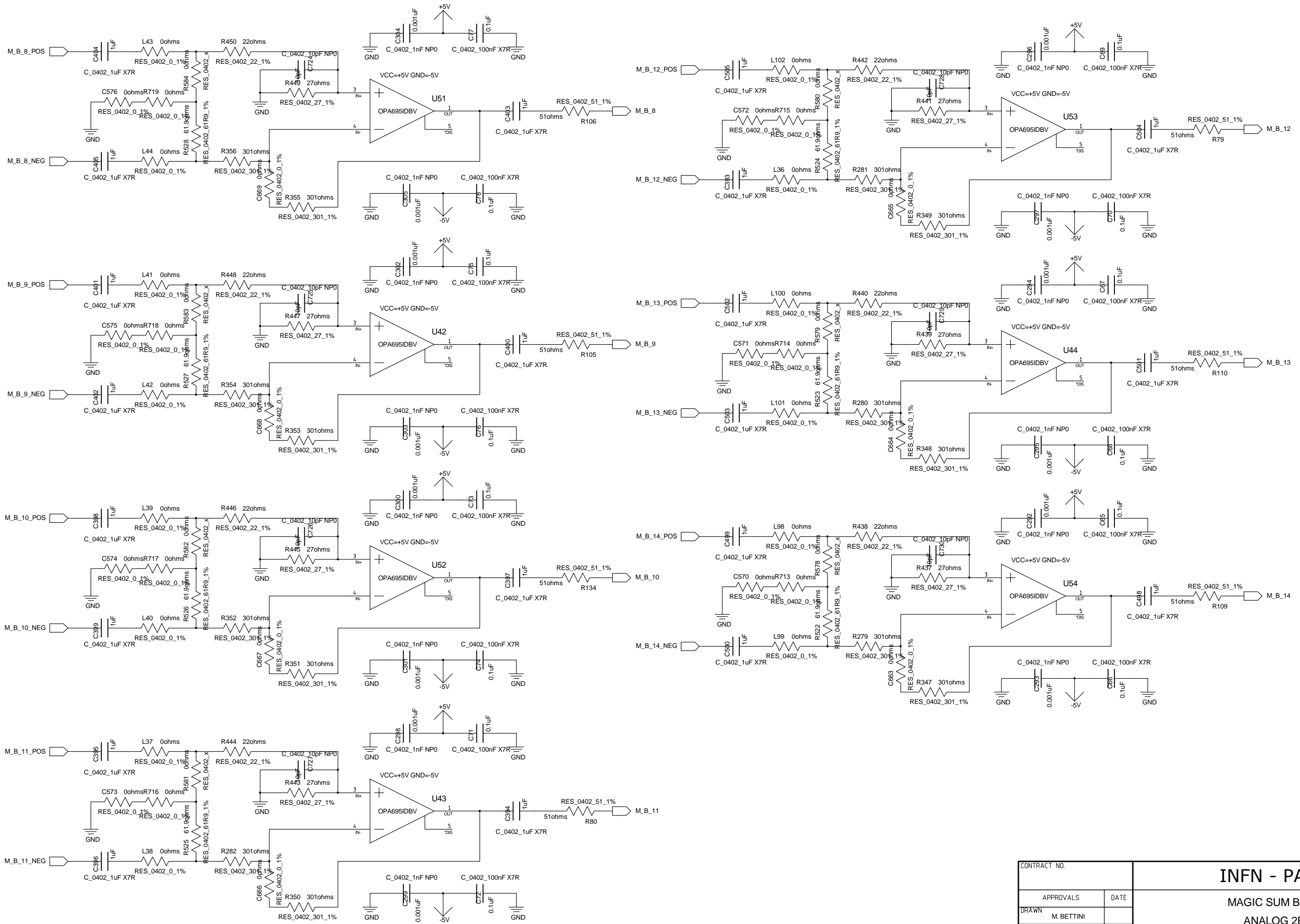
CONTRACT NO.		INFN - PADOVA	
APPROVALS	DATE		
DRAWN M. BETTINI		MAGIC SUM BOARD	
CHECKED			
ISSUED		SIZE A3	FSCM NO.
		DWG. NO.	REV
		MAB01001 v0.0	
		SCALE	SHEET 6 OF 18



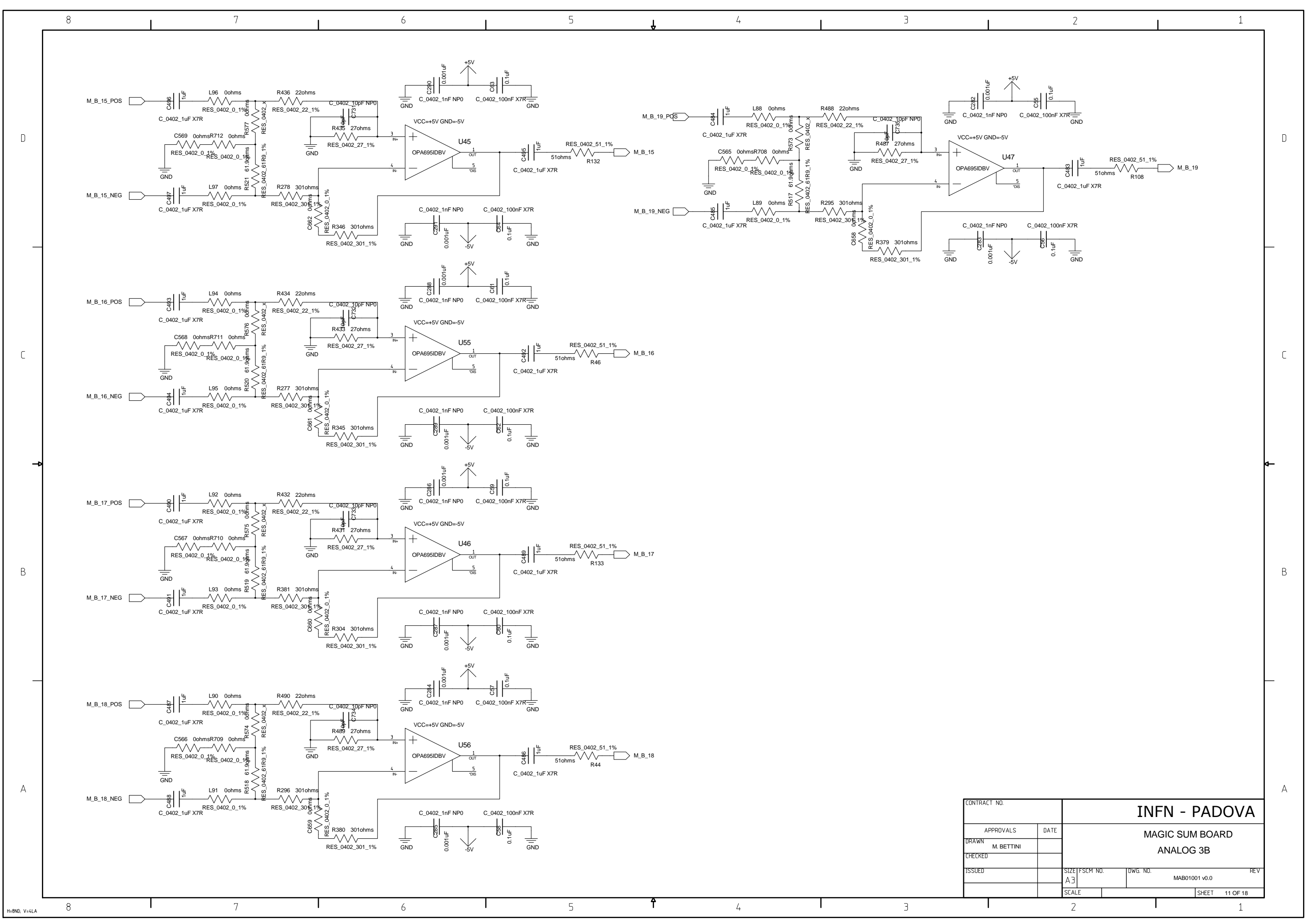
CONTRACT NO.		INFN - PADOVA			
APPROVALS	DATE				
DRAWN	M. BETTINI	MAGIC SUM BOARD ANALOG SUM A2			
CHECKED					
ISSUED		SIZE	FSCM NO.	DWG. NO.	REV
		A3		MAB01001 v0.0	
		SCALE		SHEET	8 OF 18



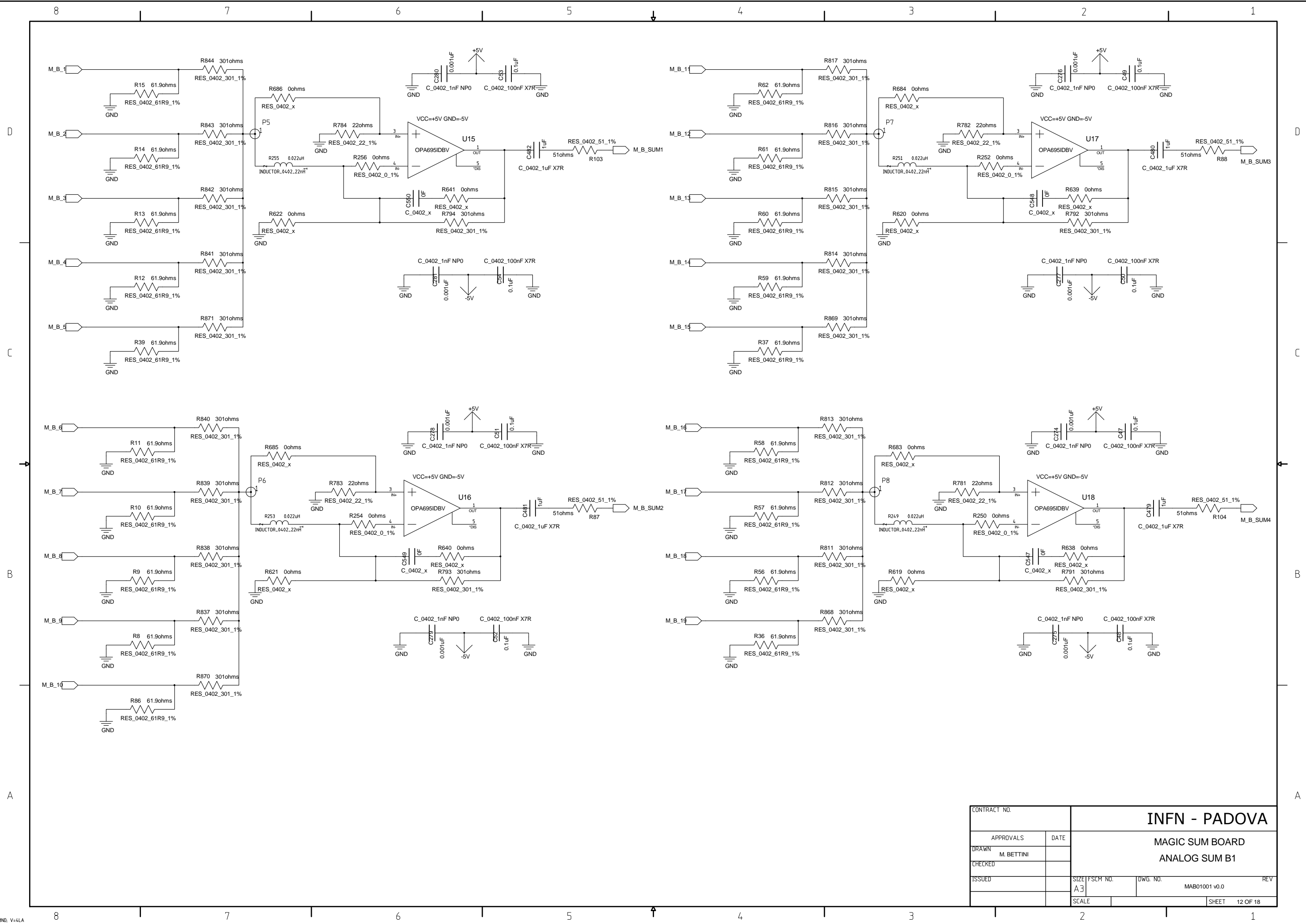
CONTRACT NO.		INFN - PADOVA MAGIC SUM BOARD ANALOG 1B	
APPROVALS	DATE		
DRAWN	M. BETTINI	SIZE	FSCM NO.
CHECKED		DWG. NO.	REV
ISSUED		A3	MAB01001 v0.0
		SCALE	SHEET 9 OF 18



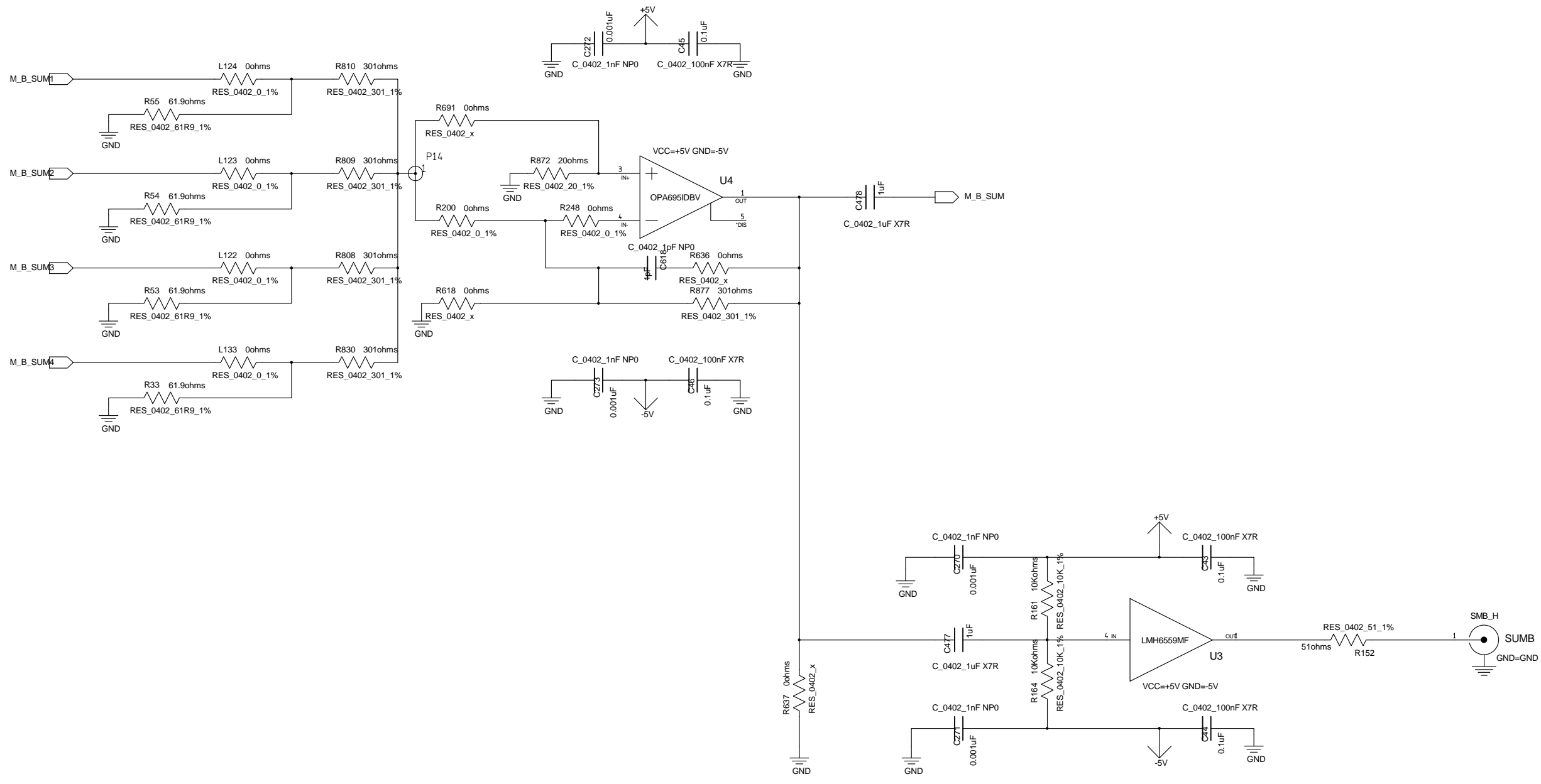
CONTRACT NO.		INFN - PADOVA MAGIC SUM BOARD ANALOG 2B	
APPROVALS	DATE		
DRAWN	M. BETTINI	SIZE	F5CM NO.
CHECKED		DWG. NO.	MAB01001 v0.0
ISSUED		SCALE	REV
			SHEET 10 OF 18



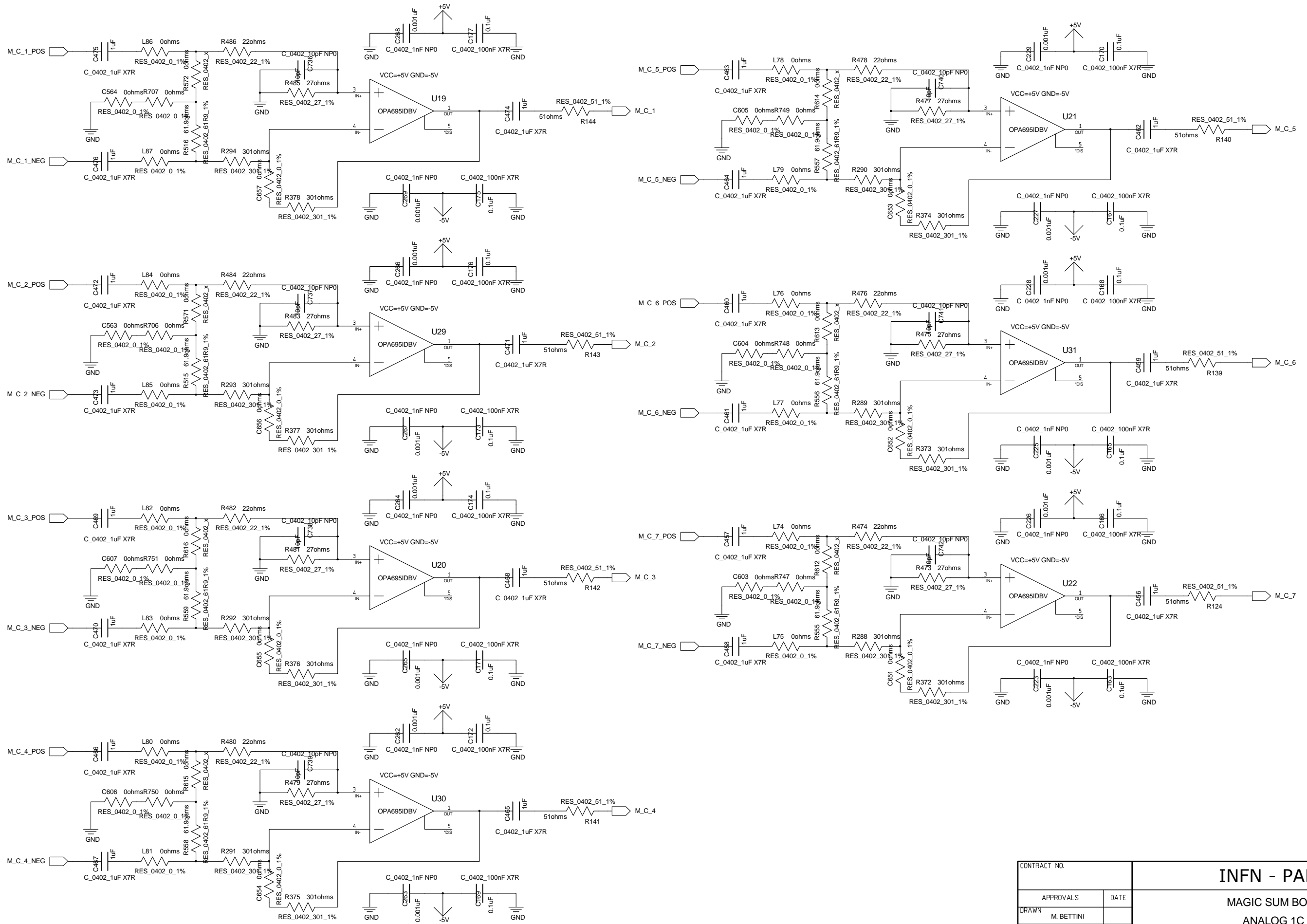
CONTRACT NO.		INFN - PADOVA	
APPROVALS	DATE		
DRAWN M. BETTINI		MAGIC SUM BOARD	
CHECKED			
ISSUED		SIZE A3	FSCM NO.
		DWG. NO.	REV
		MAB01001 v0.0	
		SCALE	SHEET 11 OF 18



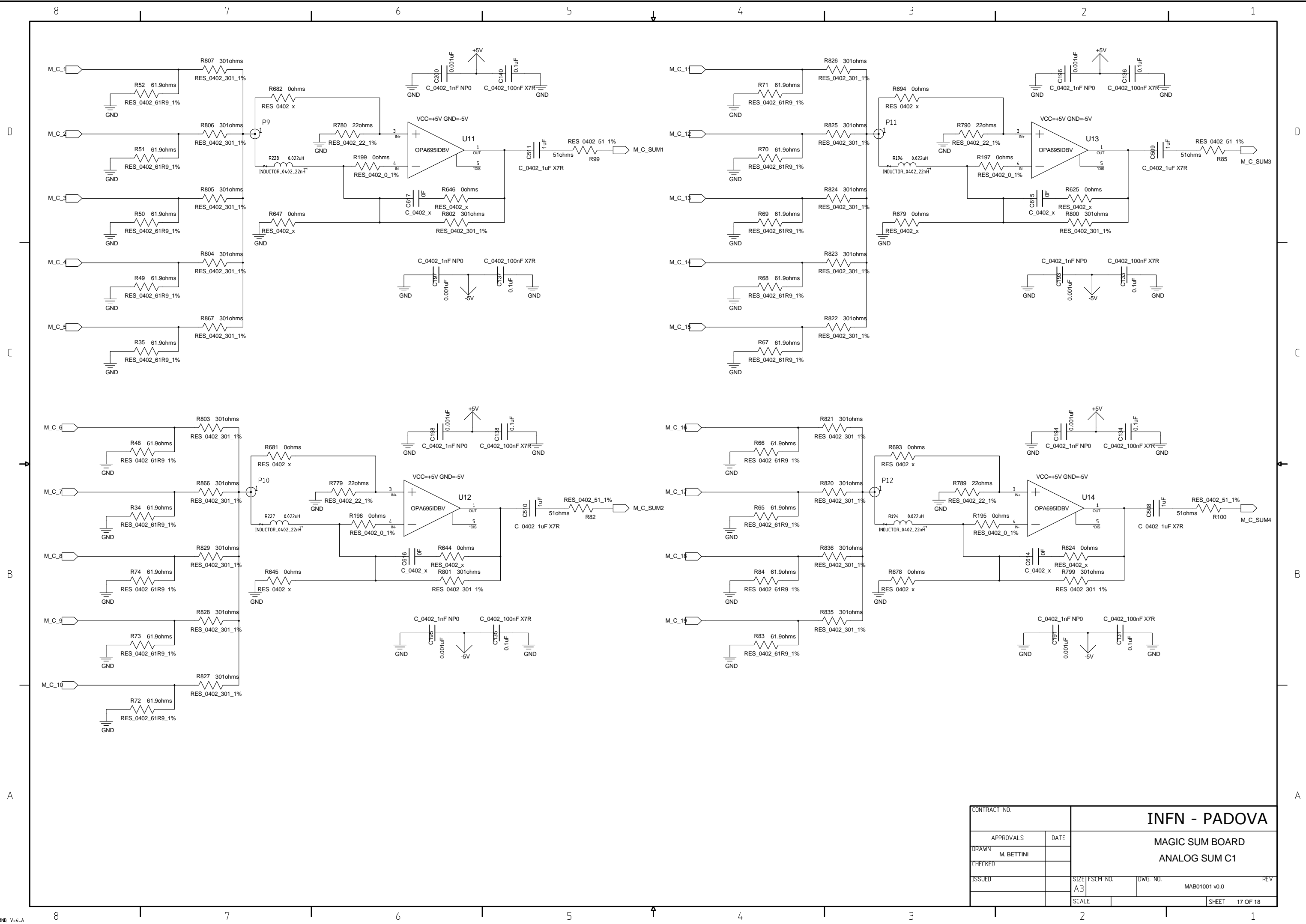
CONTRACT NO.		INFN - PADOVA			
APPROVALS	DATE				
DRAWN	M. BETTINI	MAGIC SUM BOARD ANALOG SUM B1			
CHECKED					
ISSUED		SIZE	FSCM NO.	DWG. NO.	REV
		A3		MAB01001 v0.0	
		SCALE		SHEET	12 OF 18



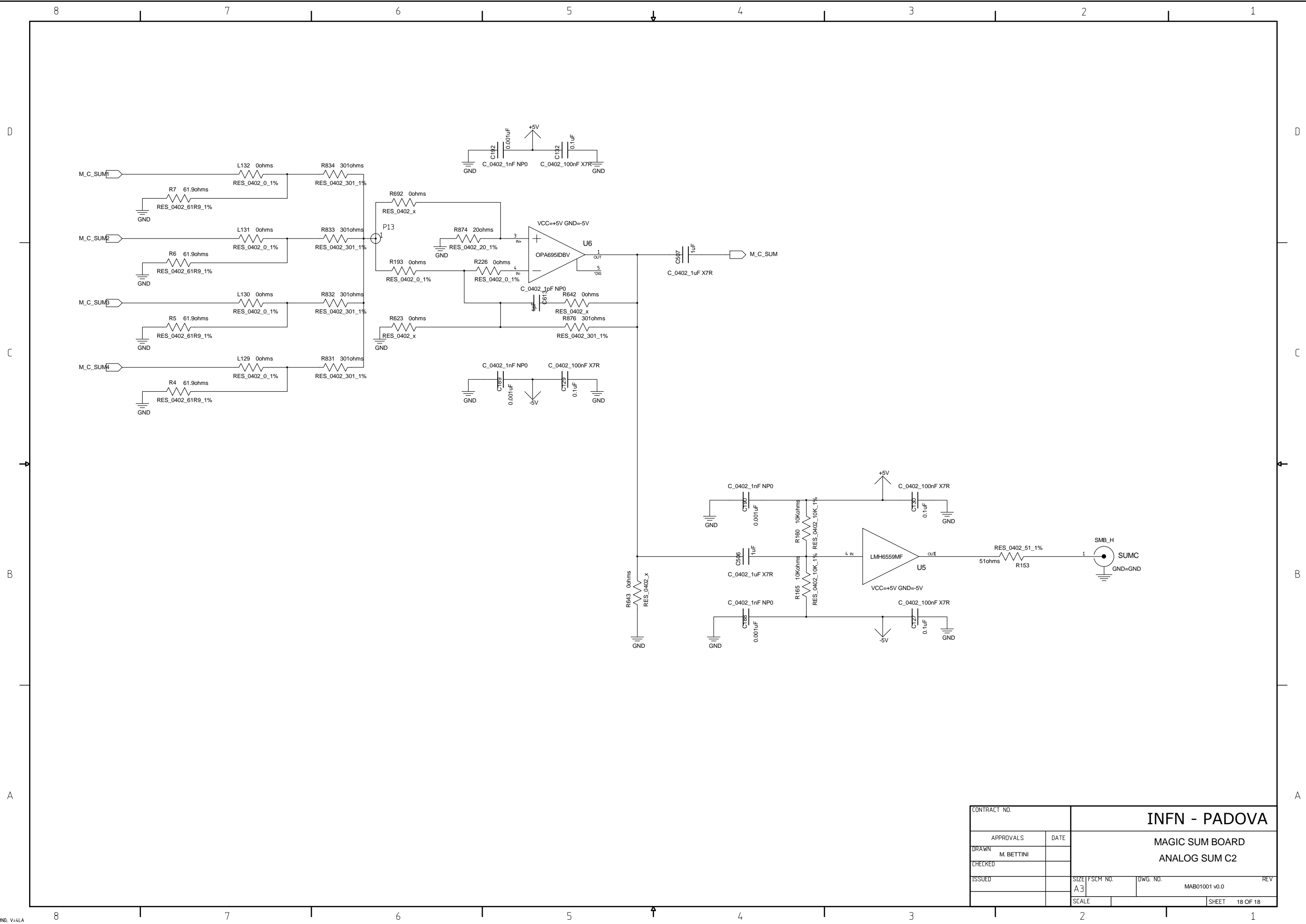
CONTRACT NO.		INFN - PADOVA			
APPROVALS	DATE				
DRAWN	M. BETTINI	MAGIC SUM BOARD ANALOG SUM B2			
CHECKED					
ISSUED		SIZE	FSCM NO.	DWG. NO.	REV
		A3		MAB01001 v0.0	
		SCALE		SHEET	13 OF 18



CONTRACT NO.		INFN - PADOVA MAGIC SUM BOARD ANALOG 1C	
APPROVALS	DATE		
DRAWN	M. BETTINI	SIZE	FSCM NO.
CHECKED		DWG. NO.	REV
ISSUED		A3	MAB01001 v0.0
		SCALE	SHEET 14 OF 18



CONTRACT NO.		INFN - PADOVA			
APPROVALS	DATE				
DRAWN	M. BETTINI	MAGIC SUM BOARD ANALOG SUM C1			
CHECKED					
ISSUED		SIZE	FSCM NO.	DWG. NO.	REV
		A3		MAB01001 v0.0	
		SCALE		SHEET	17 OF 18



CONTRACT NO.		INFN - PADOVA	
APPROVALS	DATE	MAGIC SUM BOARD	
DRAWN M. BETTINI		ANALOG SUM C2	
CHECKED		SIZE A3	FSCM NO. DWG. NO. MAB01001 v0.0
ISSUED		SCALE	REV 18 OF 18