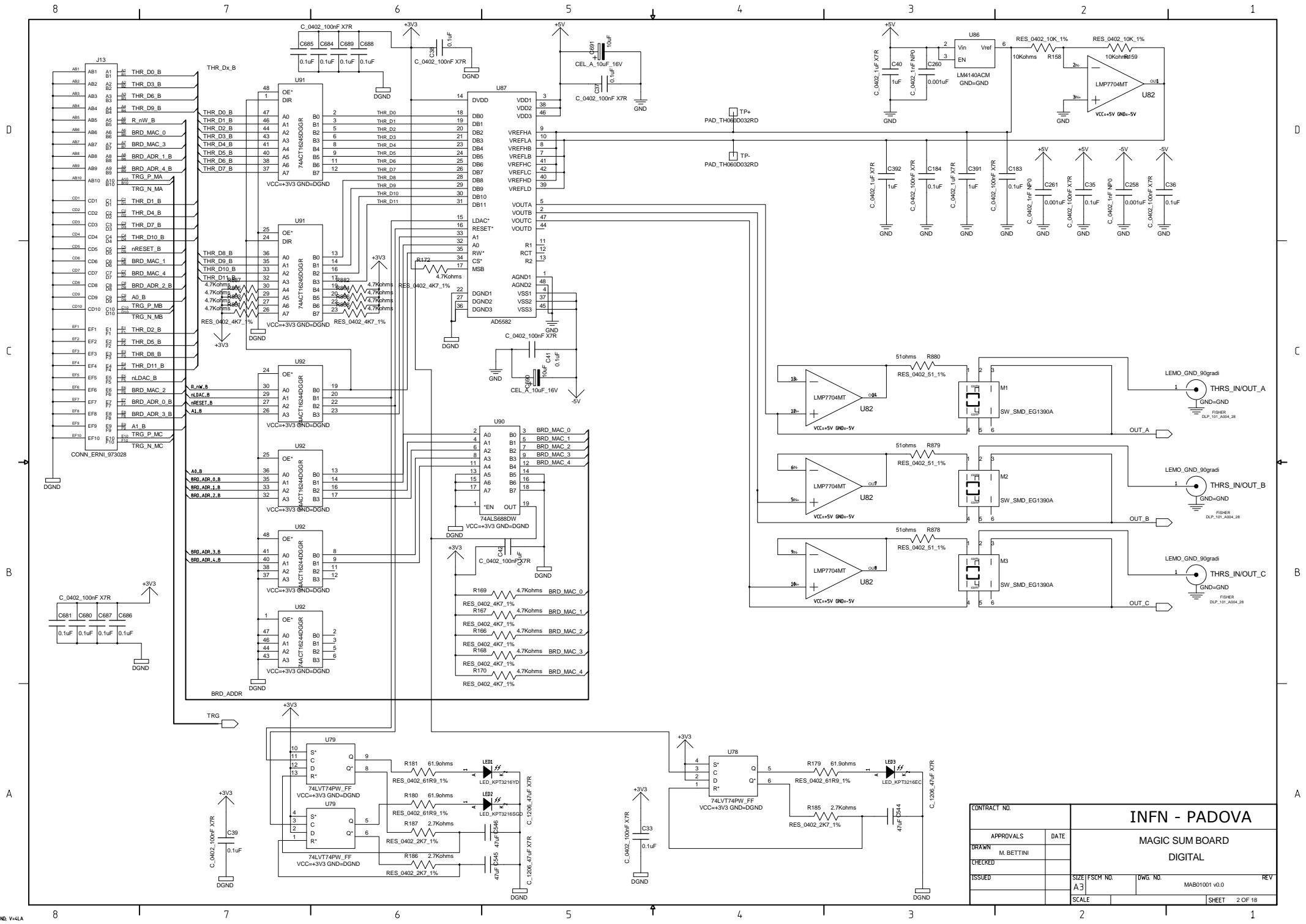
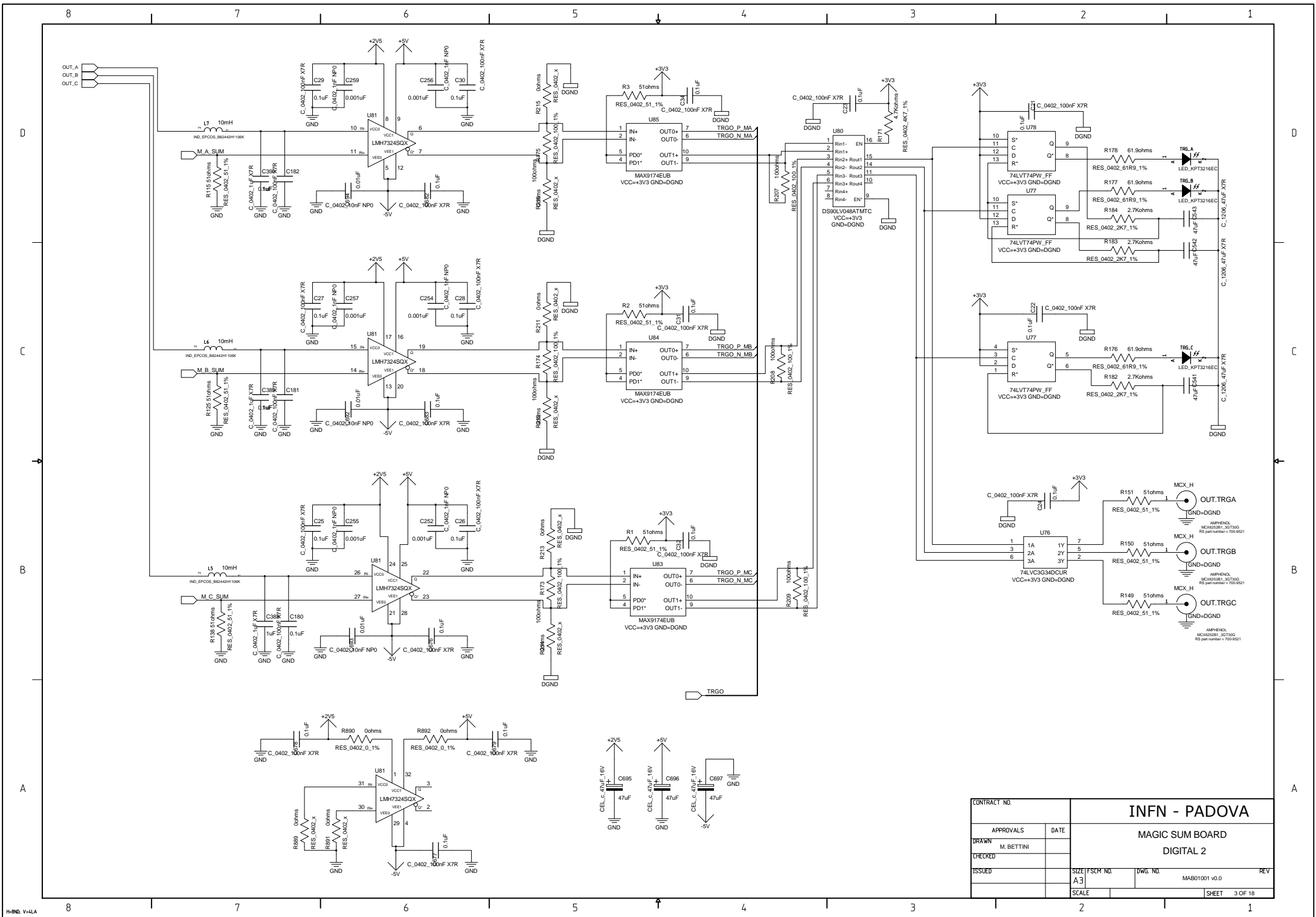


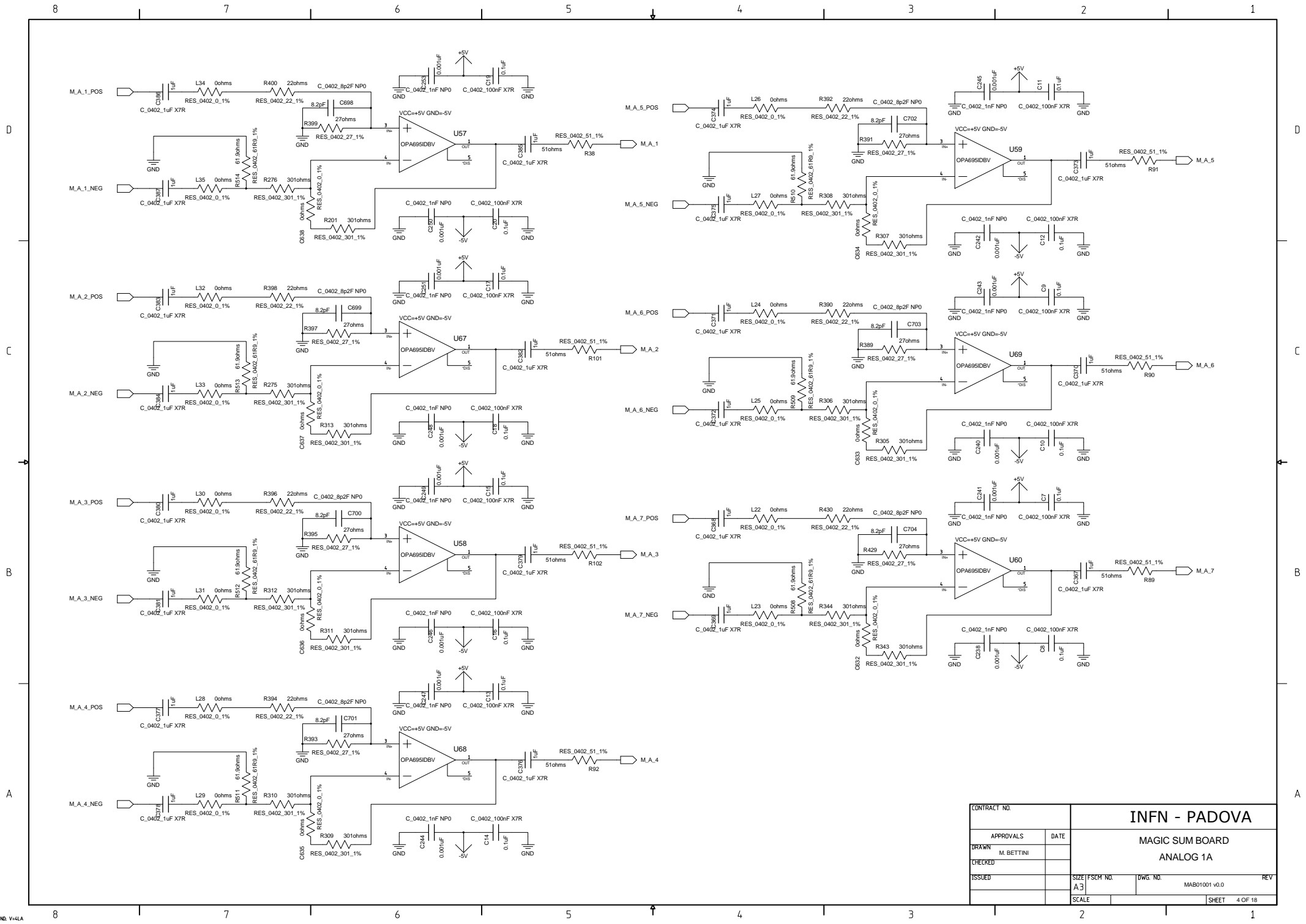
CONTRACT NO.		INFN - PADOVA	
APPROVALS	DATE		
DRAWN M. BETTINI		MAGIC SUM BOARD POWER SUPPLY	
CHECKED			
ISSUED		SIZE FSCM NO.	DWG. NO.
		A3	MAB01001 v0.0
SCALE		SHEET 1 OF 18	



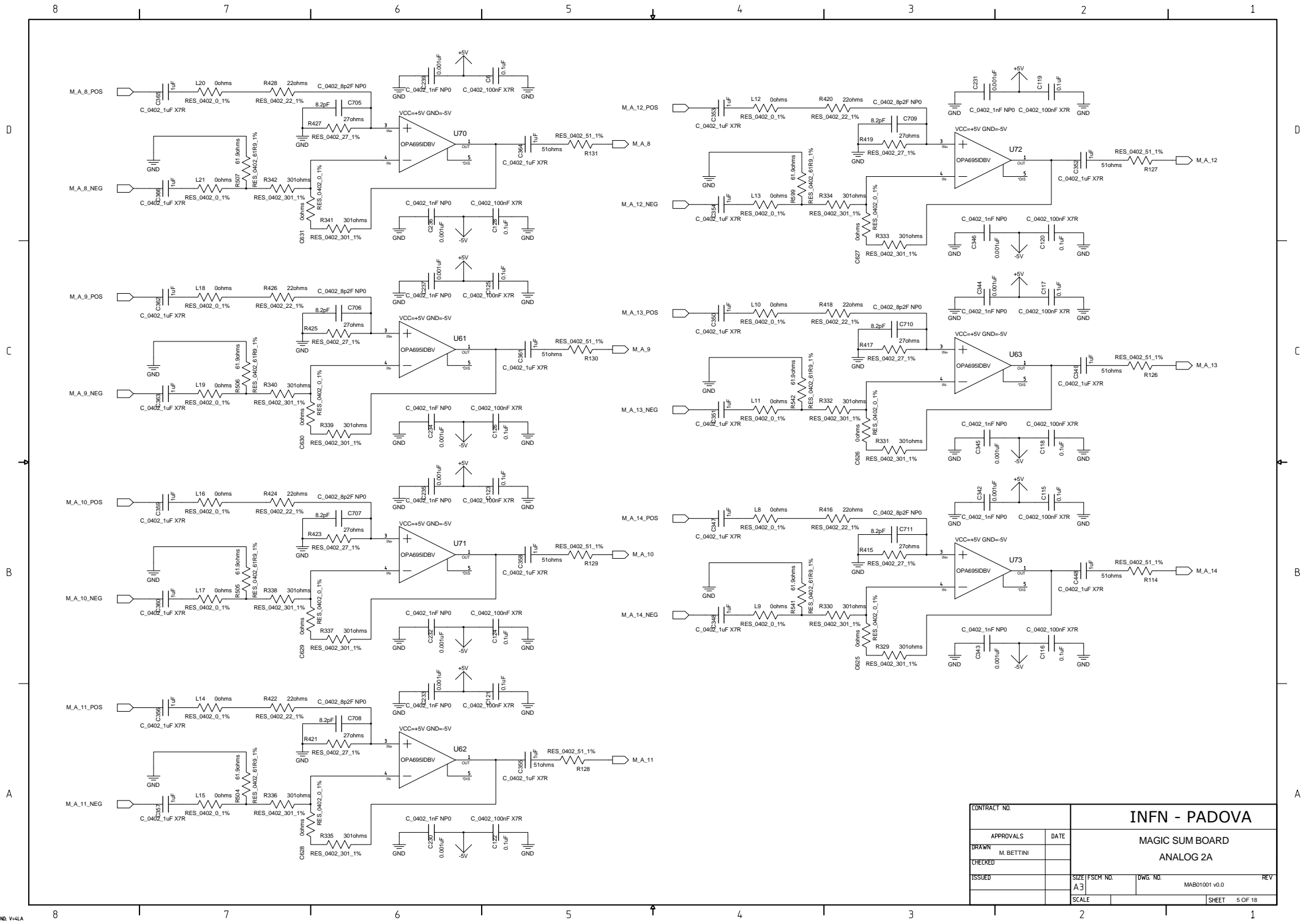
CONTRACT NO.		INFN - PADOVA	
APPROVALS	DATE	MAGIC SUM BOARD	
DRAWN	M. BETTINI	DIGITAL	
CHECKED		SIZE FSCM NO.	DWG. NO.
ISSUED		A3	MAB01001 v0.0
SCALE		SHEET 2 OF 18	



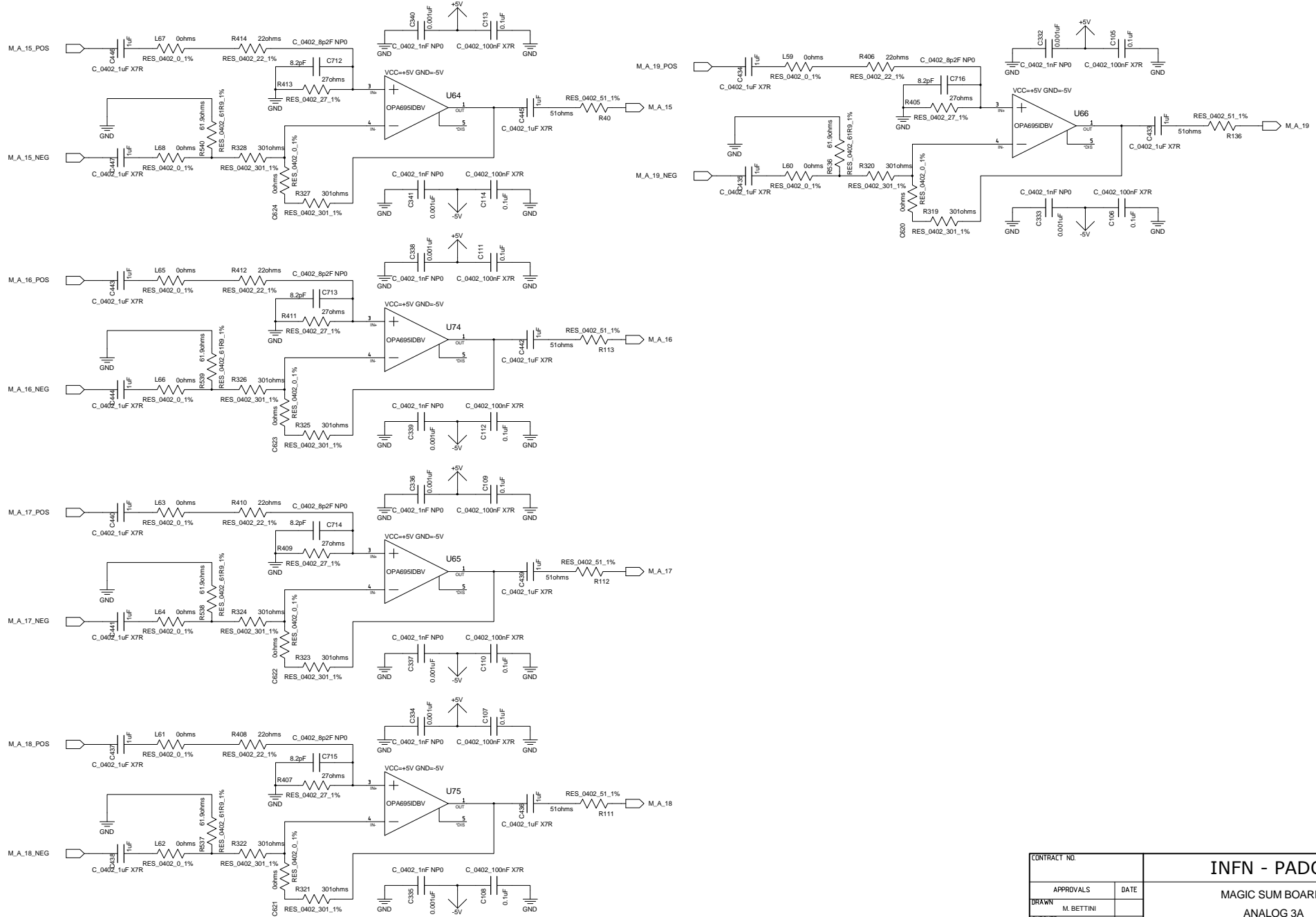
CONTRACT NO.		INFN - PADOVA MAGIC SUM BOARD DIGITAL 2	
APPROVALS	DATE		
DRAWN	M. BETTINI	SIZE	FSCM NO.
CHECKED		DWG NO.	REV
ISSUED		MAB01001 v0.0	
SCALE		SHEET 3 OF 18	



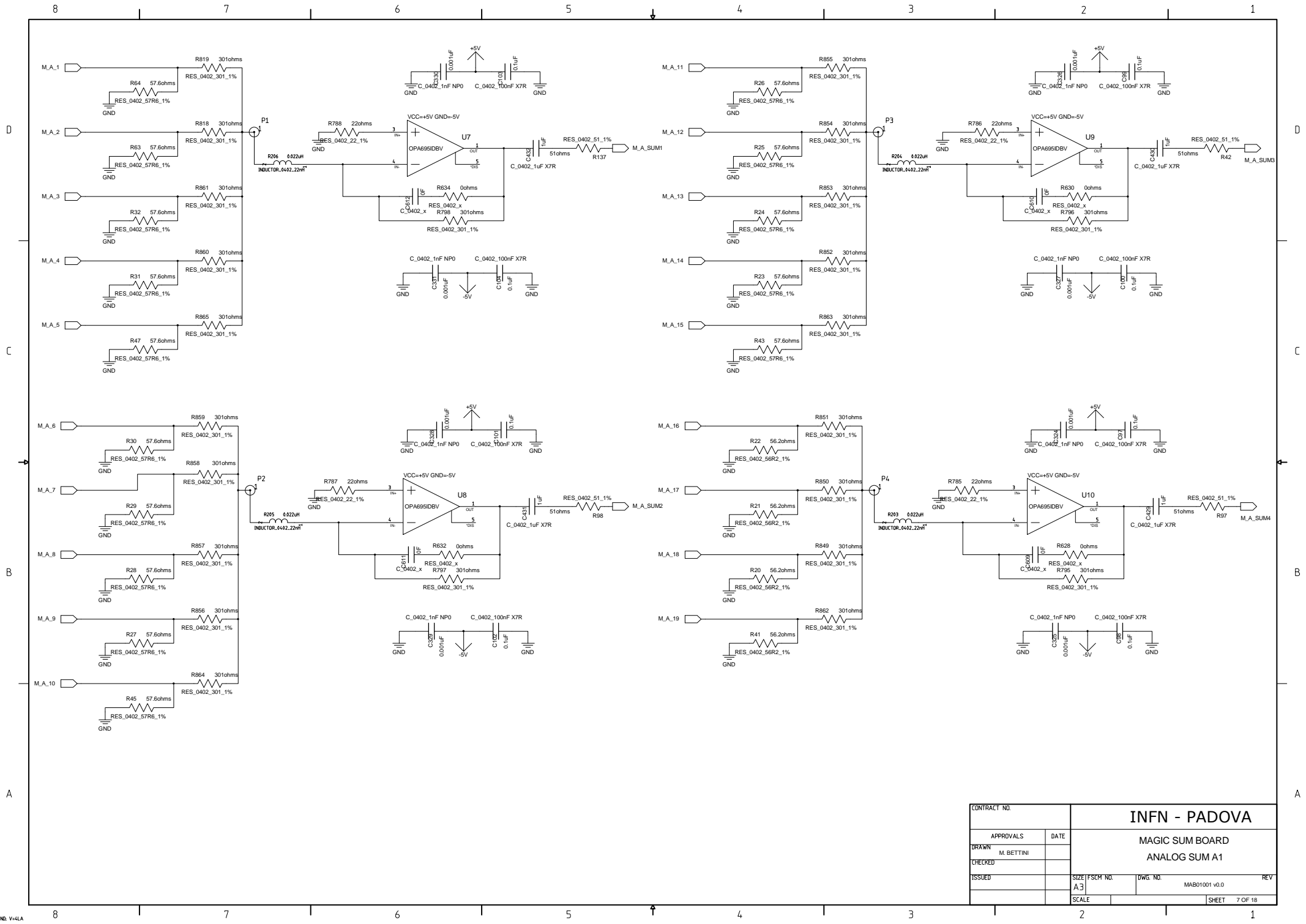
CONTRACT NO.		INFN - PADOVA		
APPROVALS	DATE			
DRAWN M. BETTINI		MAGIC SUM BOARD ANALOG 1A		
CHECKED				
ISSUED		SIZE SCM NO.	DWG NO.	REV
		A3	MAB01001 v.0.0	
SCALE		SHEET 4 OF 18		



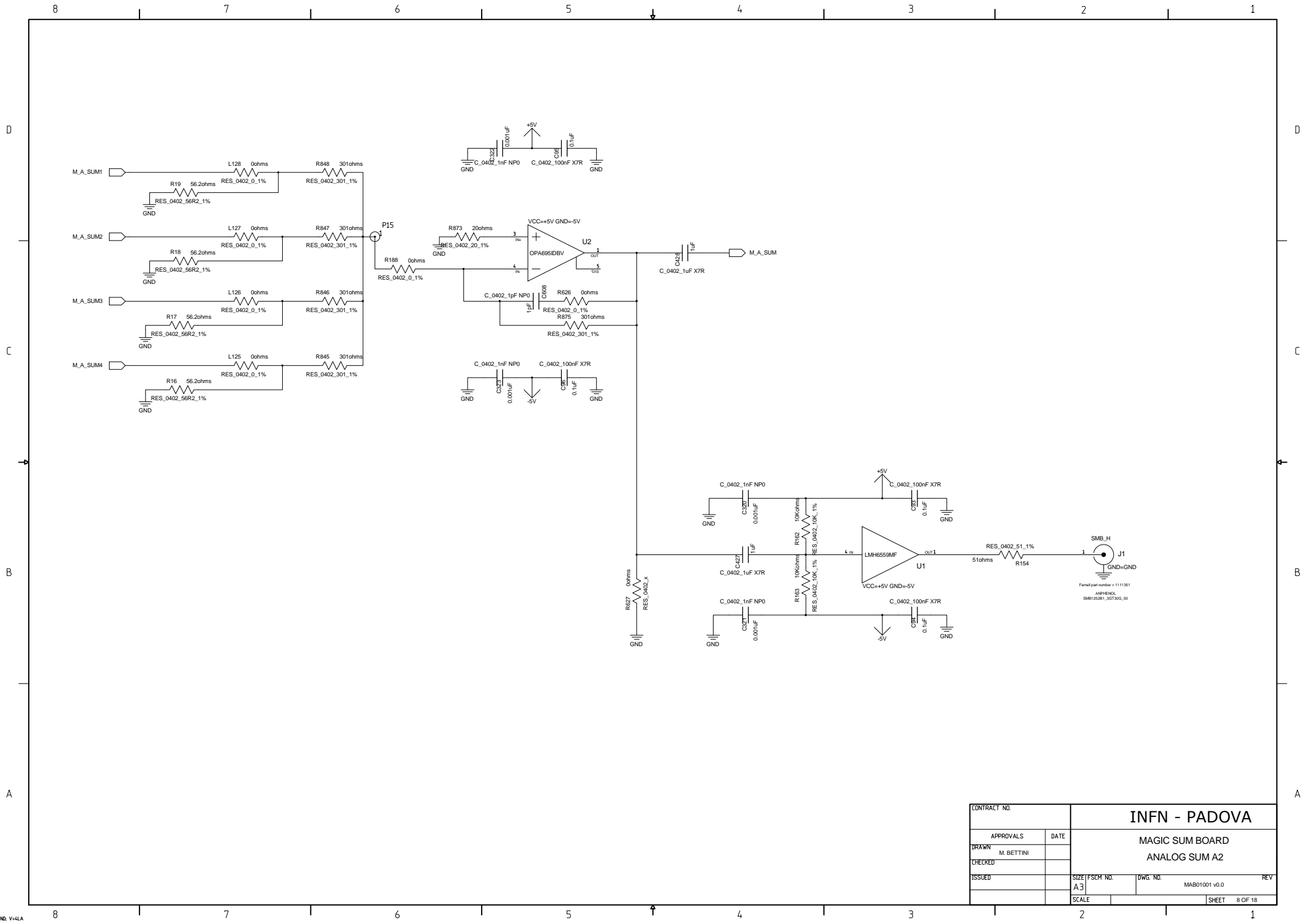
CONTRACT NO.		INFN - PADOVA		
APPROVALS	DATE			
DRAWN M. BETTINI		MAGIC SUM BOARD ANALOG 2A		
CHECKED				
ISSUED		SIZE FSCM NO.	DWG. NO.	REV.
		A3	MAB01001 v0.0	
SCALE		SHEET 5 OF 18		



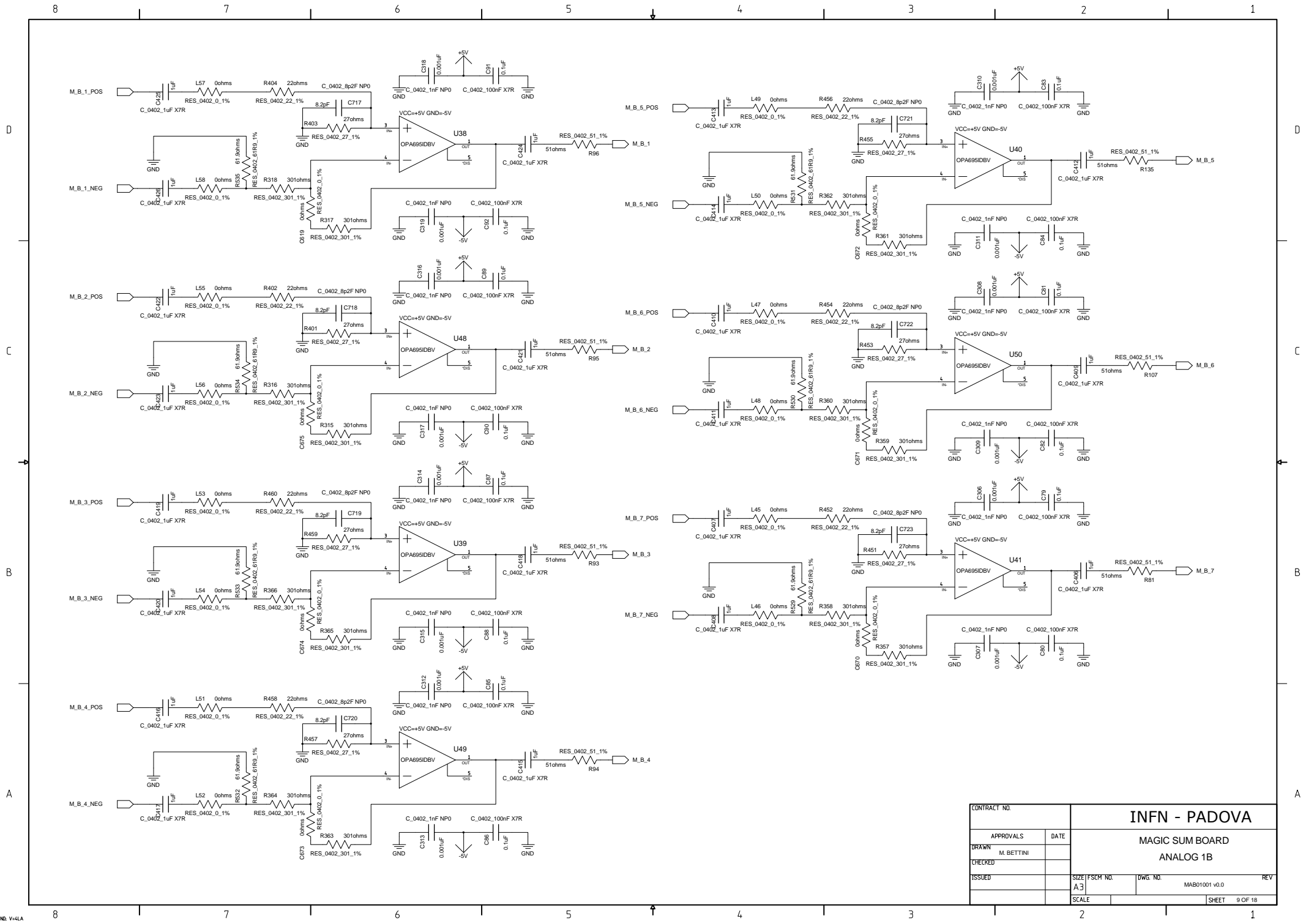
CONTRACT NO.		INFN - PADOVA		
APPROVALS	DATE			
DRAWN	M. BETTINI	MAGIC SUM BOARD ANALOG 3A		
CHECKED				
ISSUED		SIZE FSCM NO.	DWG. NO.	REV.
		A3	MAB01001 v0.0	
SCALE		SHEET 6 OF 18		



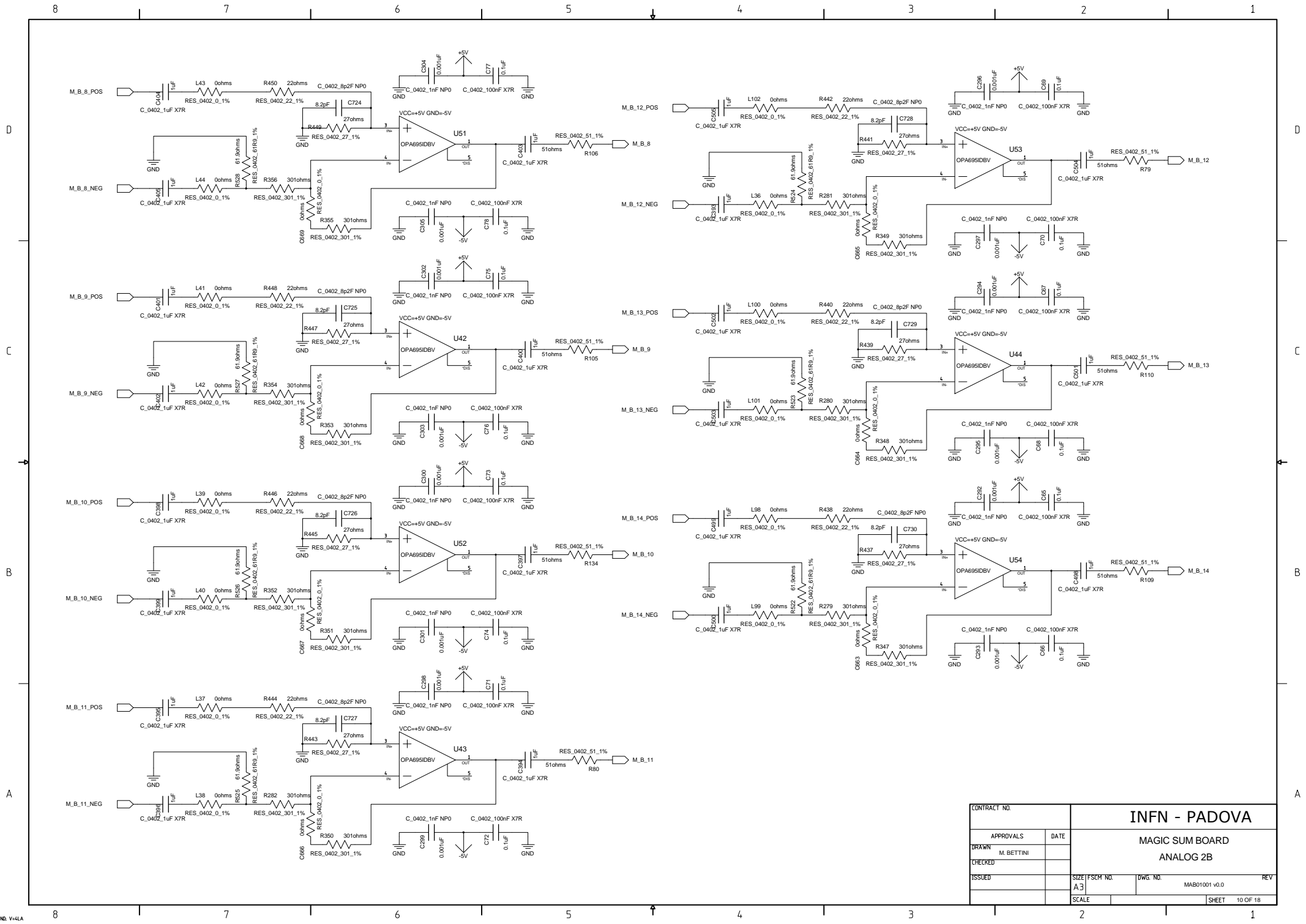
CONTRACT NO.		INFN - PADOVA		
APPROVALS	DATE			
DRAWN	M. BETTINI	MAGIC SUM BOARD ANALOG SUM A1		
CHECKED				
ISSUED		SIZE SCHEM. NO.	DWG. NO.	REV.
		A3	MAB01001 v0.0	
		SCALE	SHEET 7 OF 18	



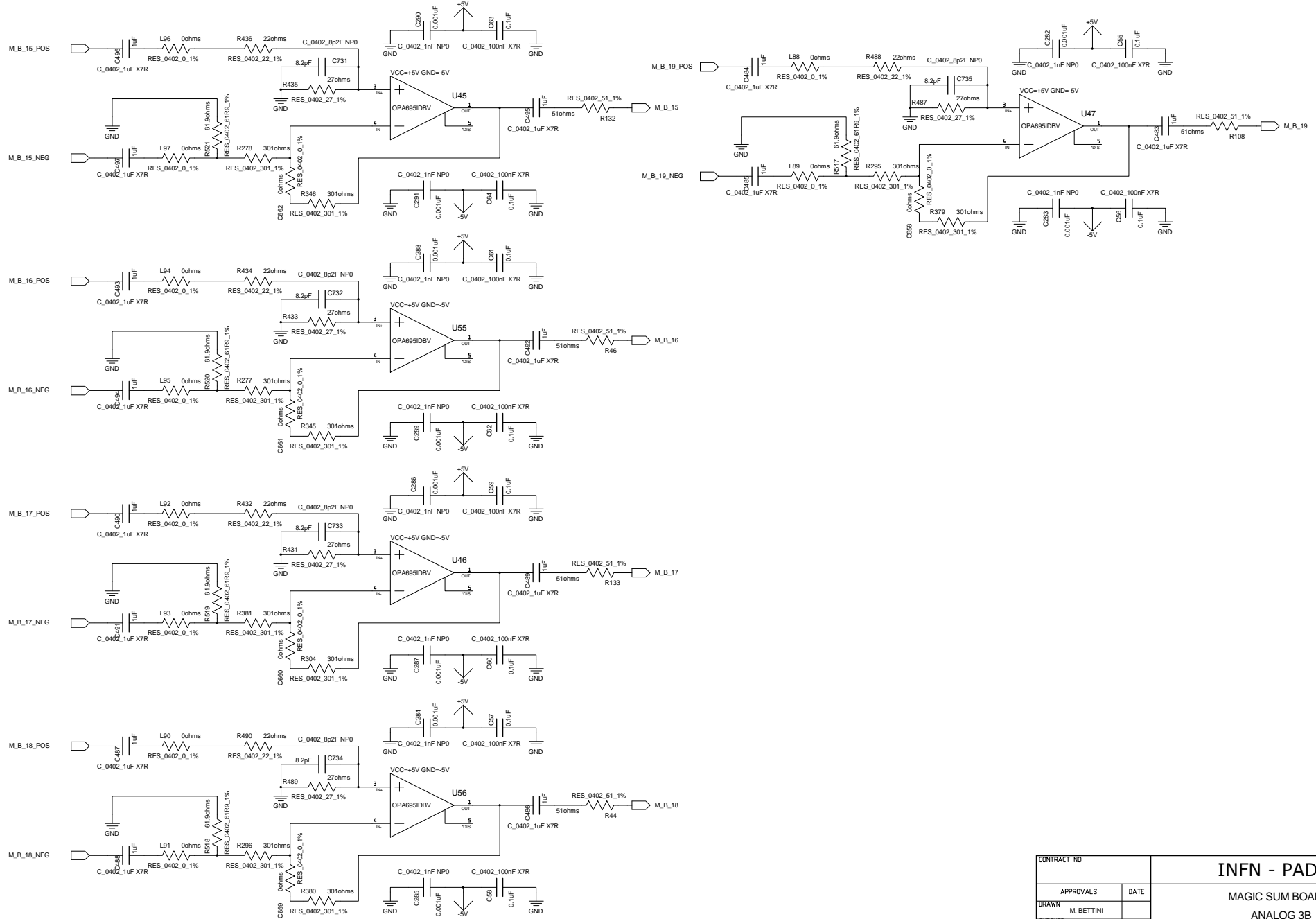
CONTRACT NO.		INFN - PADOVA	
APPROVALS	DATE	MAGIC SUM BOARD	
DRAWN	M. BETTINI	ANALOG SUM A2	
CHECKED		SIZE / SCM NO.	DWG. NO.
ISSUED		A3	MAB01001 v0.0
		SCALE	SHEET 8 OF 18



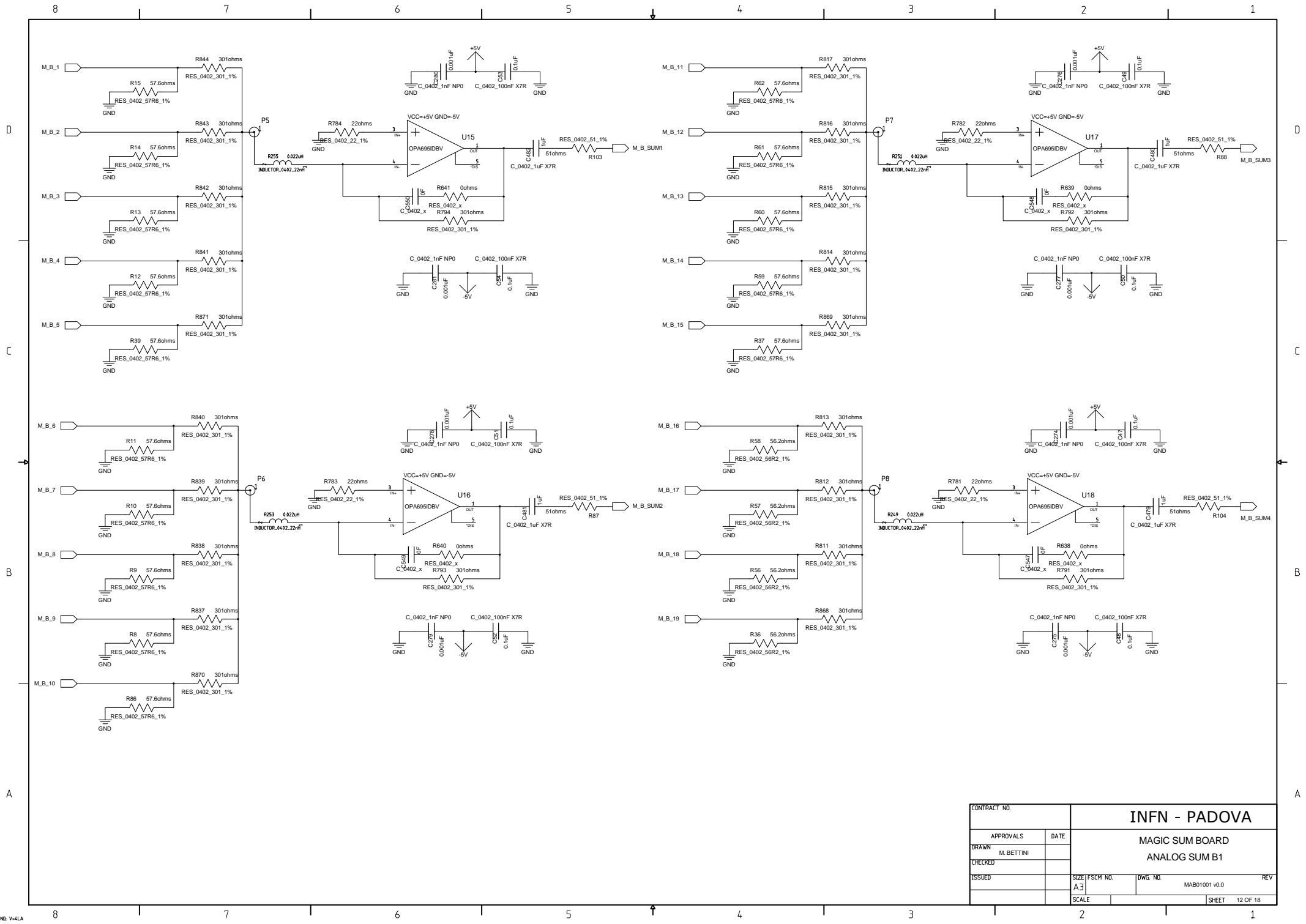
CONTRACT NO.		INFN - PADOVA		
APPROVALS	DATE			
DRAWN M. BETTINI		MAGIC SUM BOARD ANALOG 1B		
CHECKED				
ISSUED		SIZE FSCM NO.	DWG. NO.	REV
		A3	MAB01001 v0.0	
SCALE		SHEET 9 OF 18		



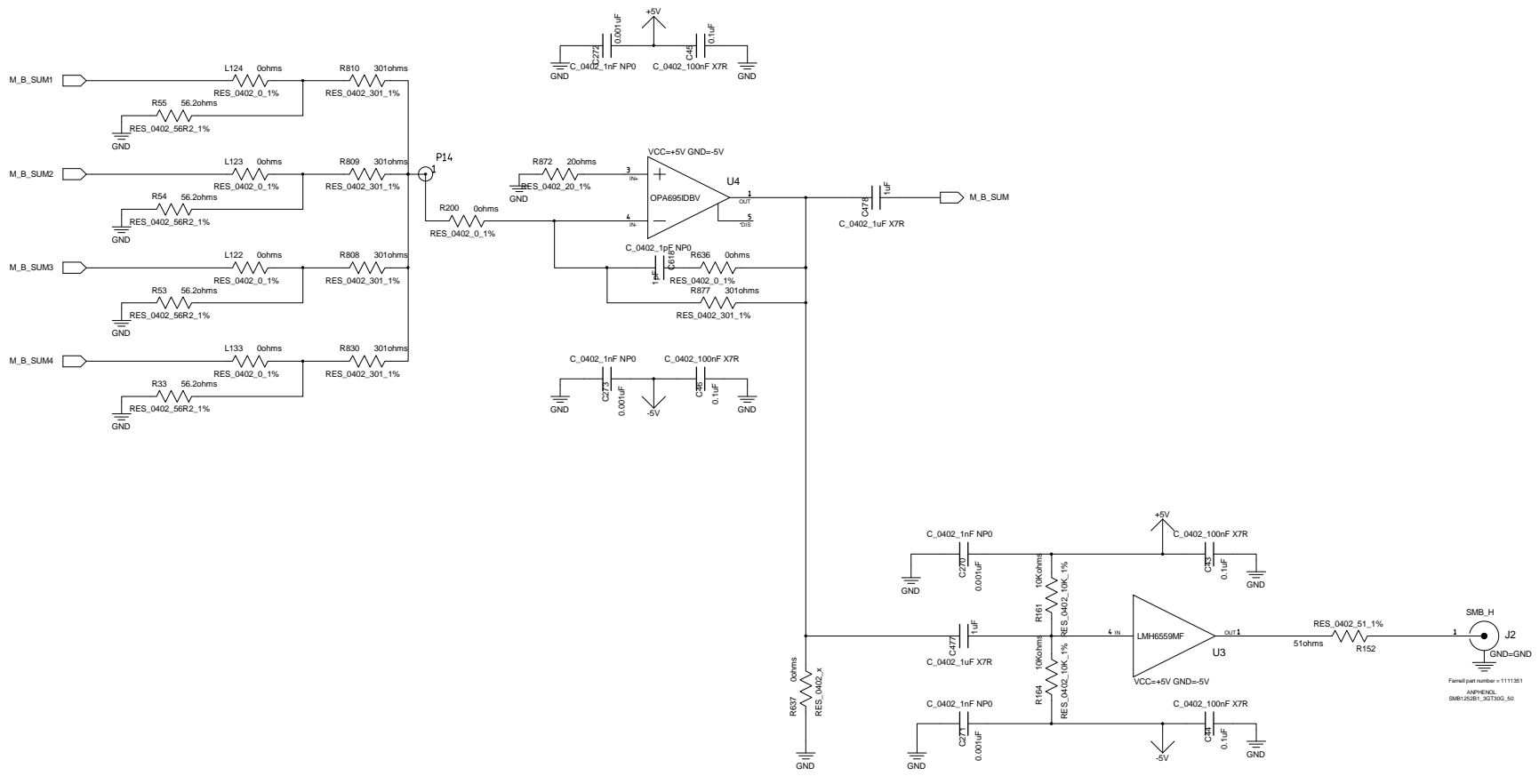
CONTRACT NO.		INFN - PADOVA		
APPROVALS	DATE			
DRAWN M. BETTINI		MAGIC SUM BOARD ANALOG 2B		
CHECKED				
ISSUED		SIZE FSCM NO.	DWG. NO.	REV
		A3	MAB01001 v0.0	
SCALE		SHEET 10 OF 18		



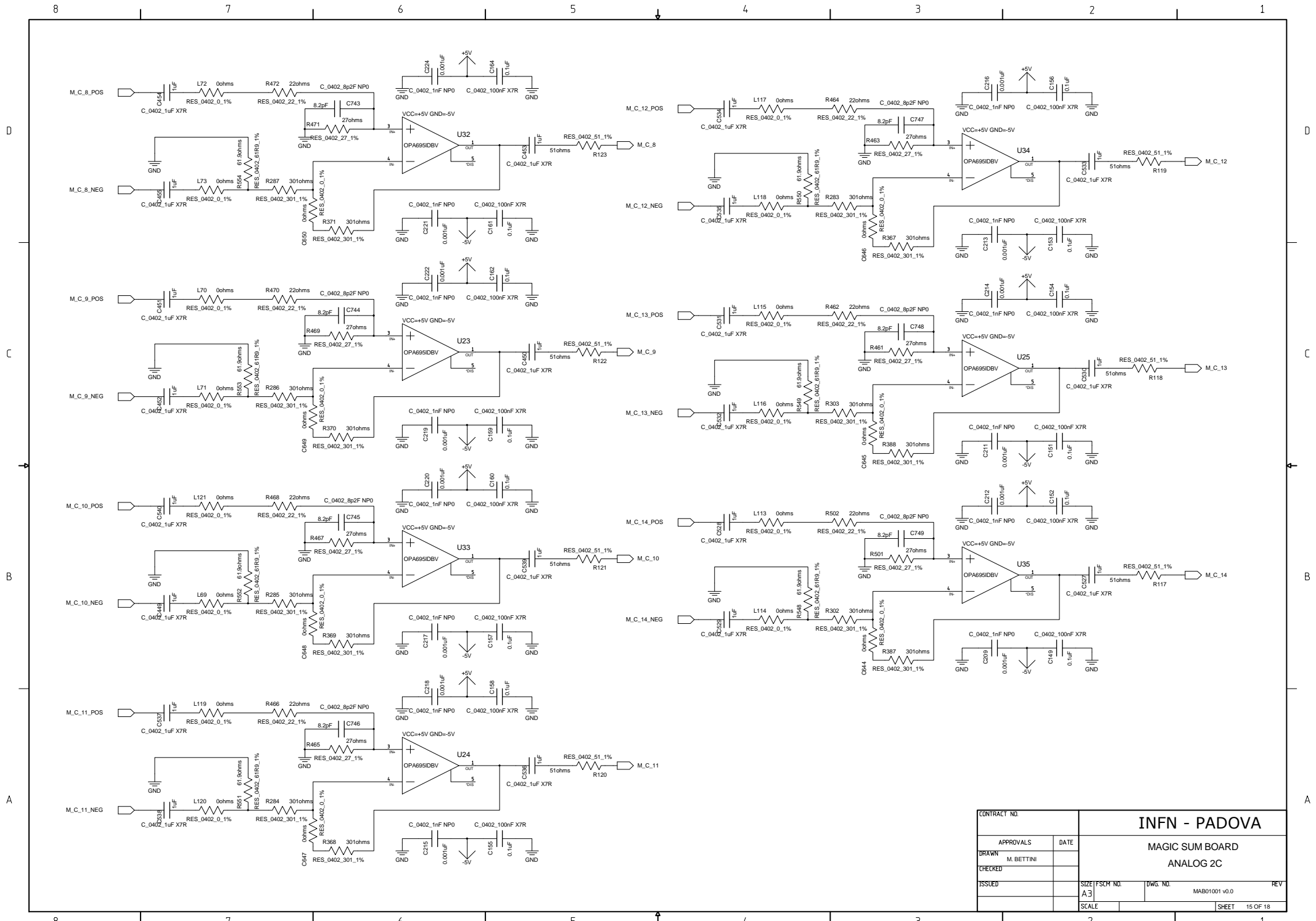
CONTRACT NO.		INFN - PADOVA		
APPROVALS	DATE			
DRAWN M. BETTINI		MAGIC SUM BOARD ANALOG 3B		
CHECKED				
ISSUED		SIZE FSCM NO.	DWG. NO.	REV.
		A3	MAB01001 v0.0	
SCALE		SHEET 11 OF 18		



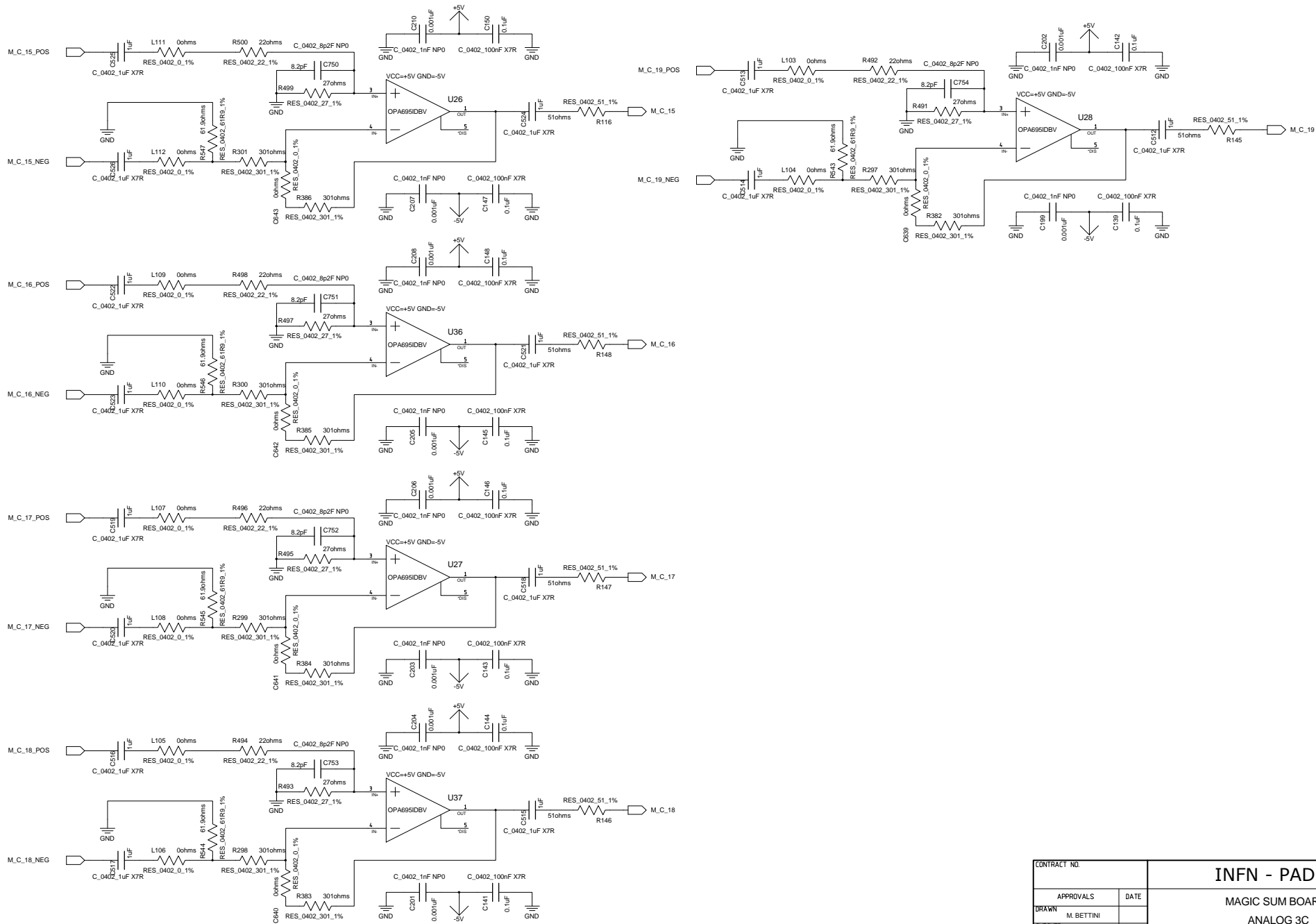
CONTRACT NO.		INFN - PADOVA		
APPROVALS	DATE			
DRAWN	M. BETTINI	MAGIC SUM BOARD ANALOG SUM B1		
CHECKED				
ISSUED		SIZE FSCM NO.	DWG. NO.	REV
		A3	MAB01001 v0.0	
		SCALE	SHEET 12 OF 18	



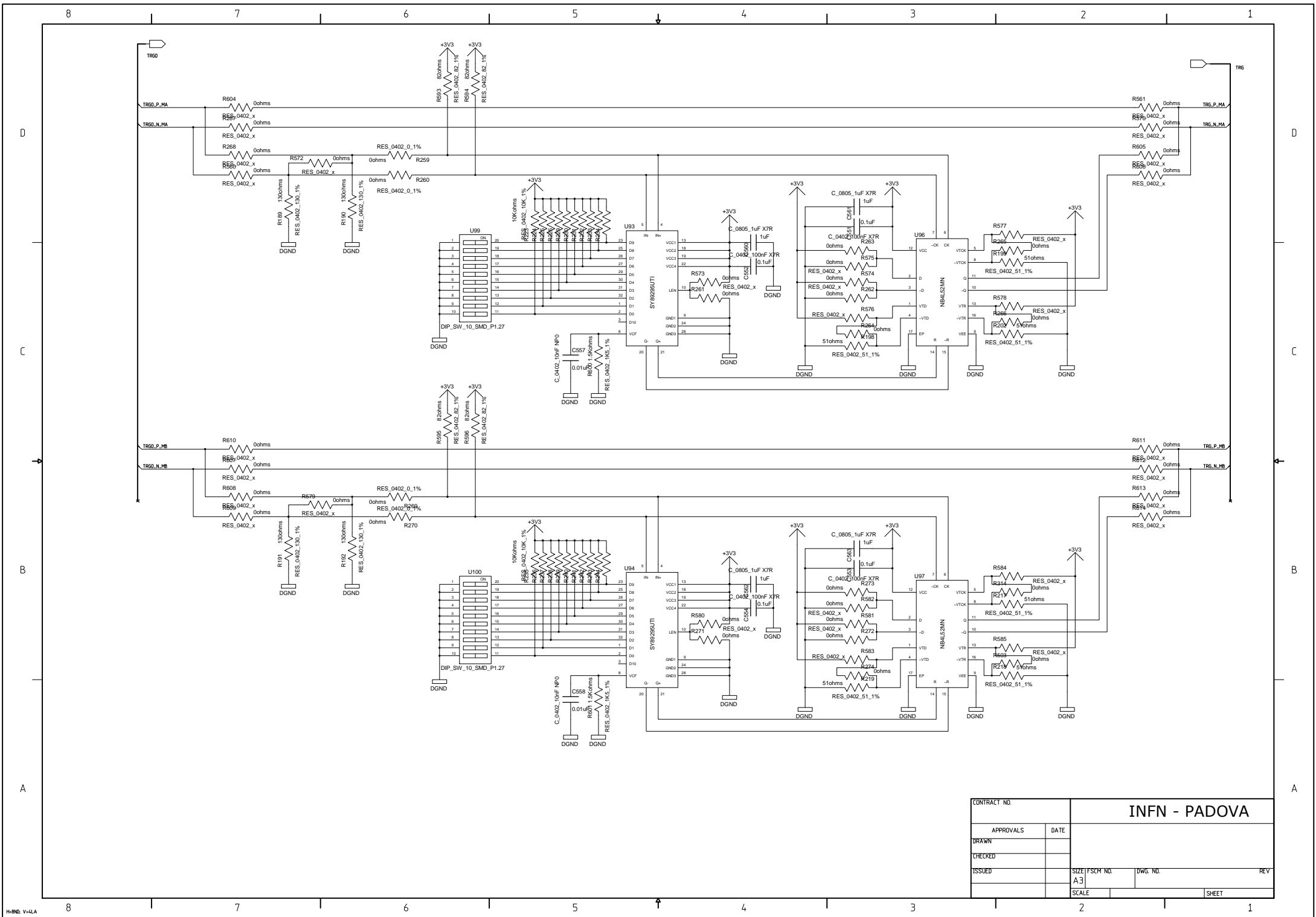
CONTRACT NO.		INFN - PADOVA	
APPROVALS	DATE	MAGIC SUM BOARD	
DRAWN	M. BETTINI	ANALOG SUM B2	
CHECKED		SIZE	FSCM NO.
ISSUED		DWG. NO.	REV
		MAB01001 v0.0	
		SCALE	SHEET 13 OF 18



CONTRACT NO.		INFN - PADOVA		
APPROVALS	DATE			
DRAWN M. BETTINI		MAGIC SUM BOARD ANALOG 2C		
CHECKED				
ISSUED		SIZE SCM NO.	DWG NO.	REV
		A3		MAB01001 v0.0
SCALE		SHEET 15 OF 18		



CONTRACT NO.		INFN - PADOVA	
APPROVALS	DATE	MAGIC SUM BOARD	
DRAWN	M. BETTINI	ANALOG 3C	
CHECKED		SIZE	FSCM NO.
ISSUED		DWG. NO.	REV
		MAB01001 v0.0	
SCALE		SHEET 16 OF 18	



CONTRACT NO.		INFN - PADOVA	
APPROVALS	DATE		
DRAWN		SIZE / SCM NO.	DWG. NO.
CHECKED			
ISSUED		A3	REV
SCALE		SHEET	

