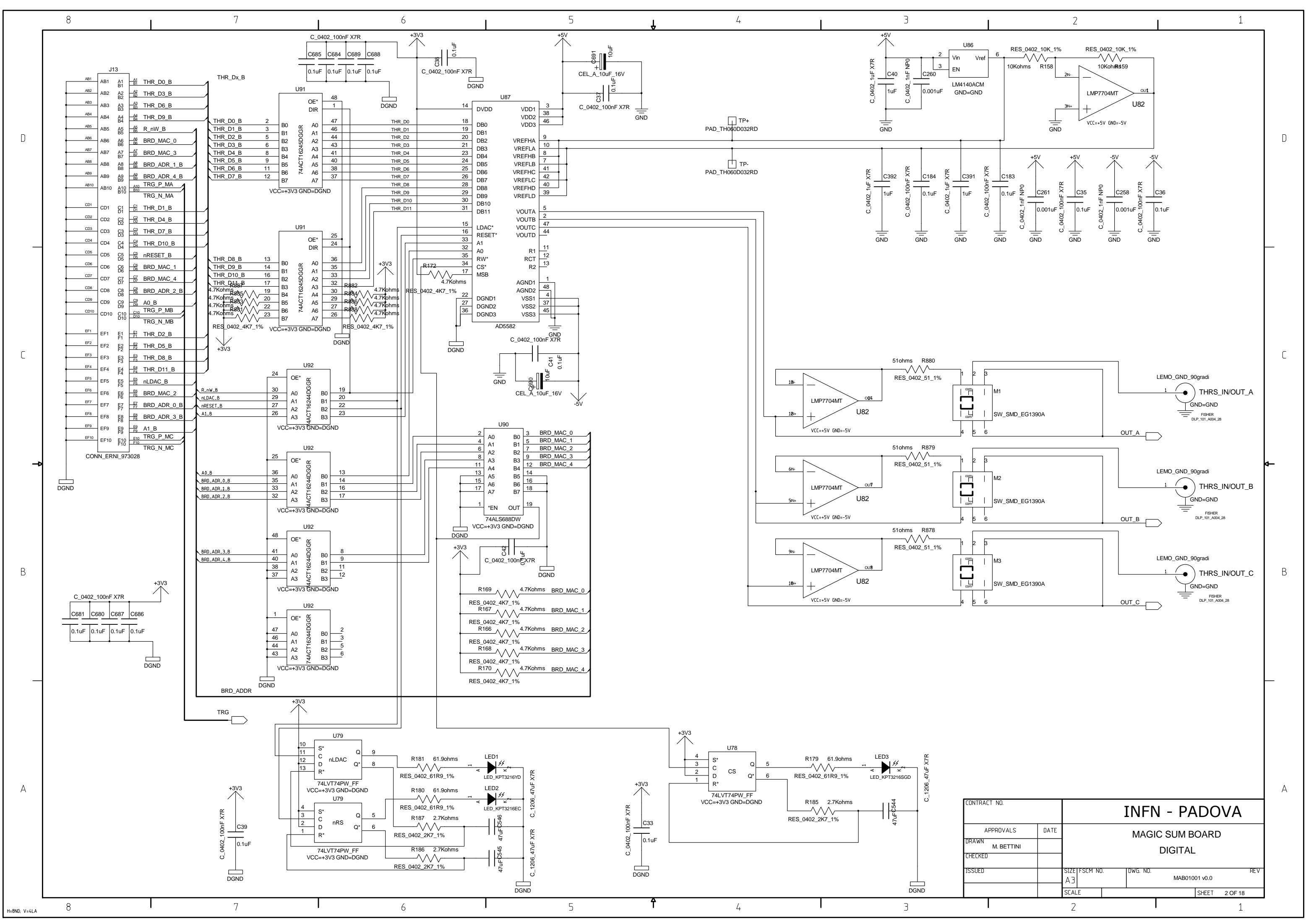
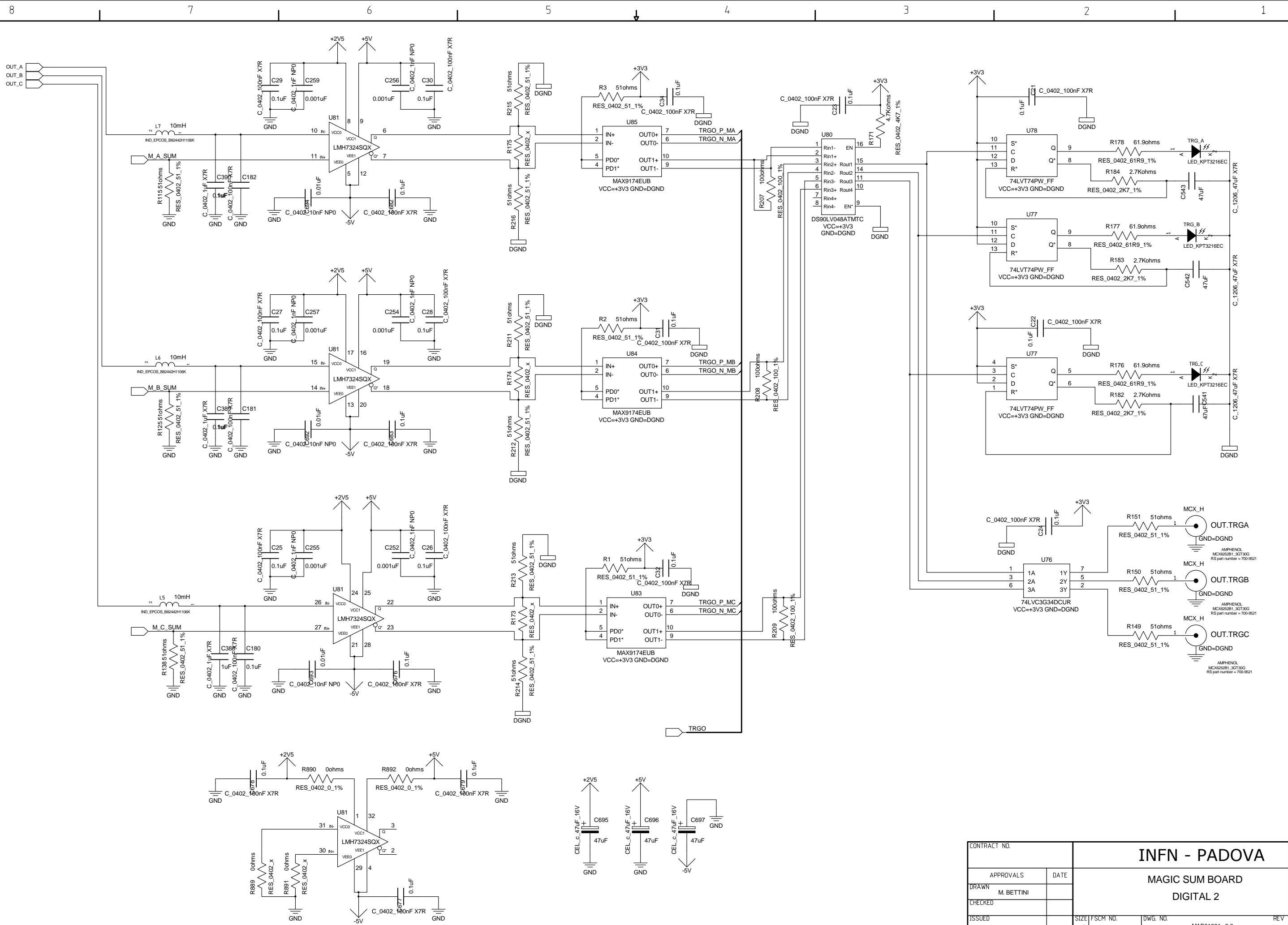


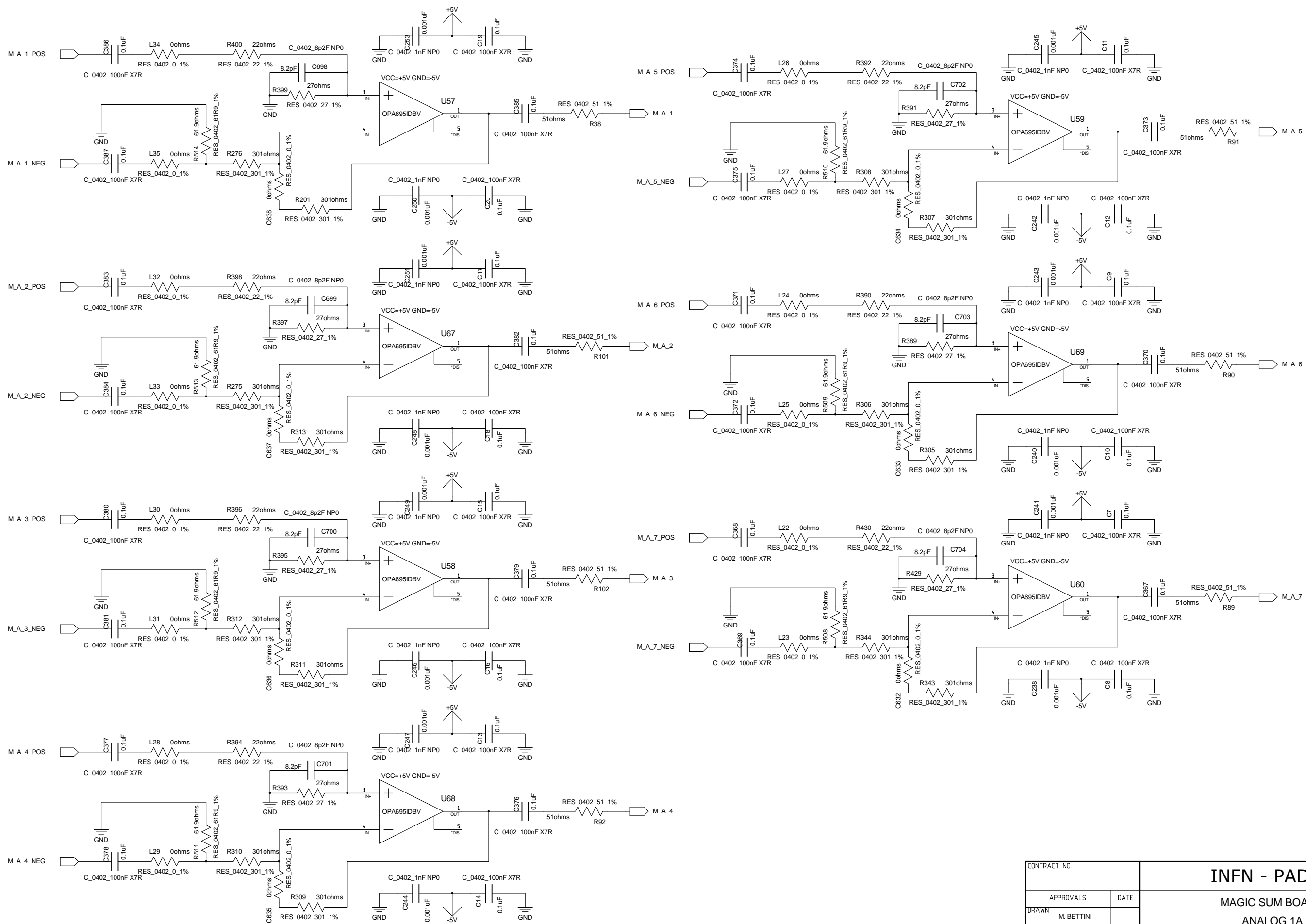
CONTRACT NO.		INFN - PADOVA	
APPROVALS	DATE		
DRAWN M. BETTINI		MAGIC SUM BOARD POWER SUPPLY	
CHECKED			
ISSUED	SIZE A3	FSCM NO.	DWG. NO. MAB01001 v0.0
SCALE		SHEET 1 OF 18	



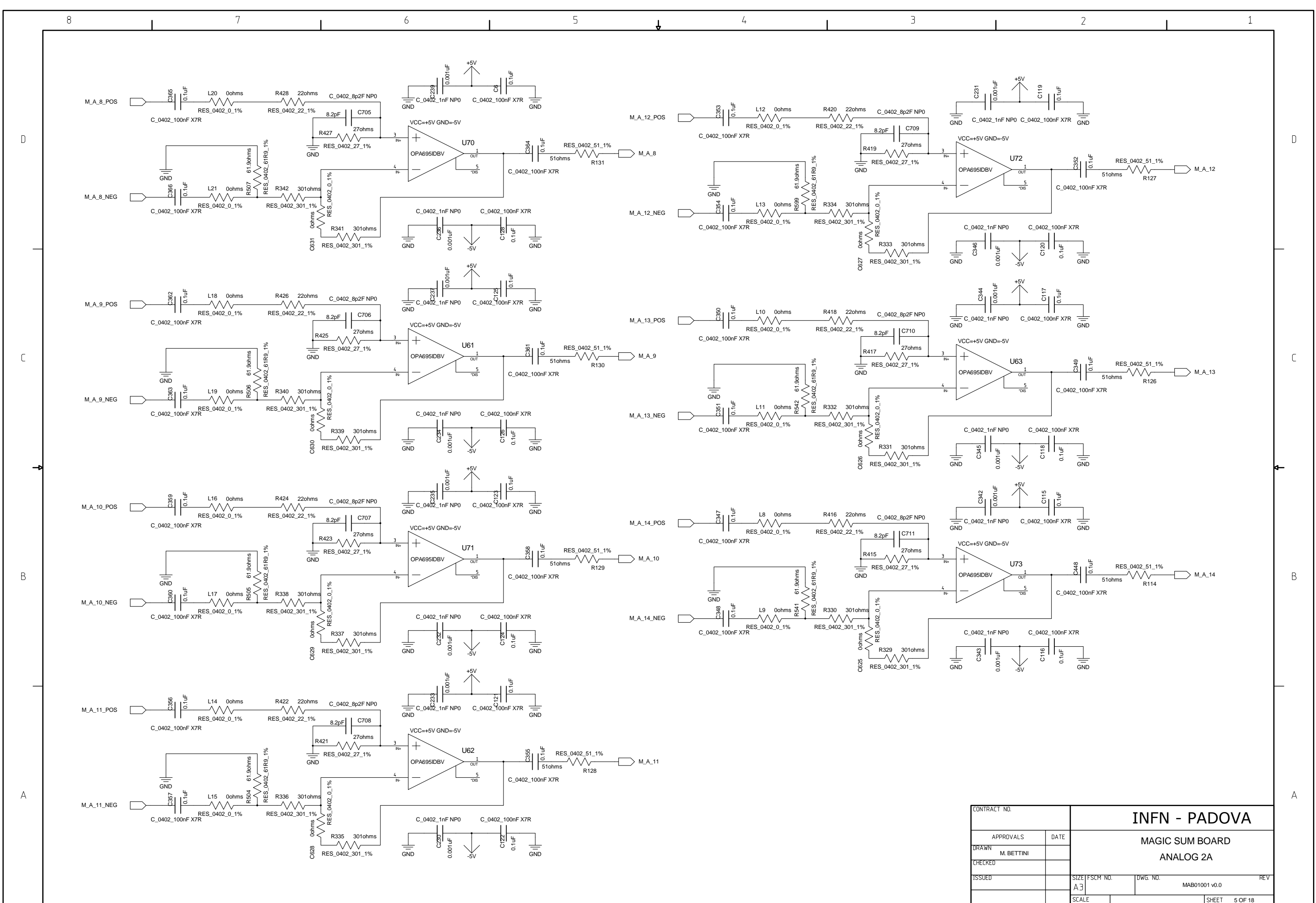
CONTRACT NO.		INFN - PADOVA	
APPROVALS	DATE	MAGIC SUM BOARD	
DRAWN M. BETTINI		DIGITAL	
CHECKED		SIZE A3	FSCM NO. MAB01001 v0.0
ISSUED		DWG. NO.	REV
		SCALE	SHEET 2 OF 18



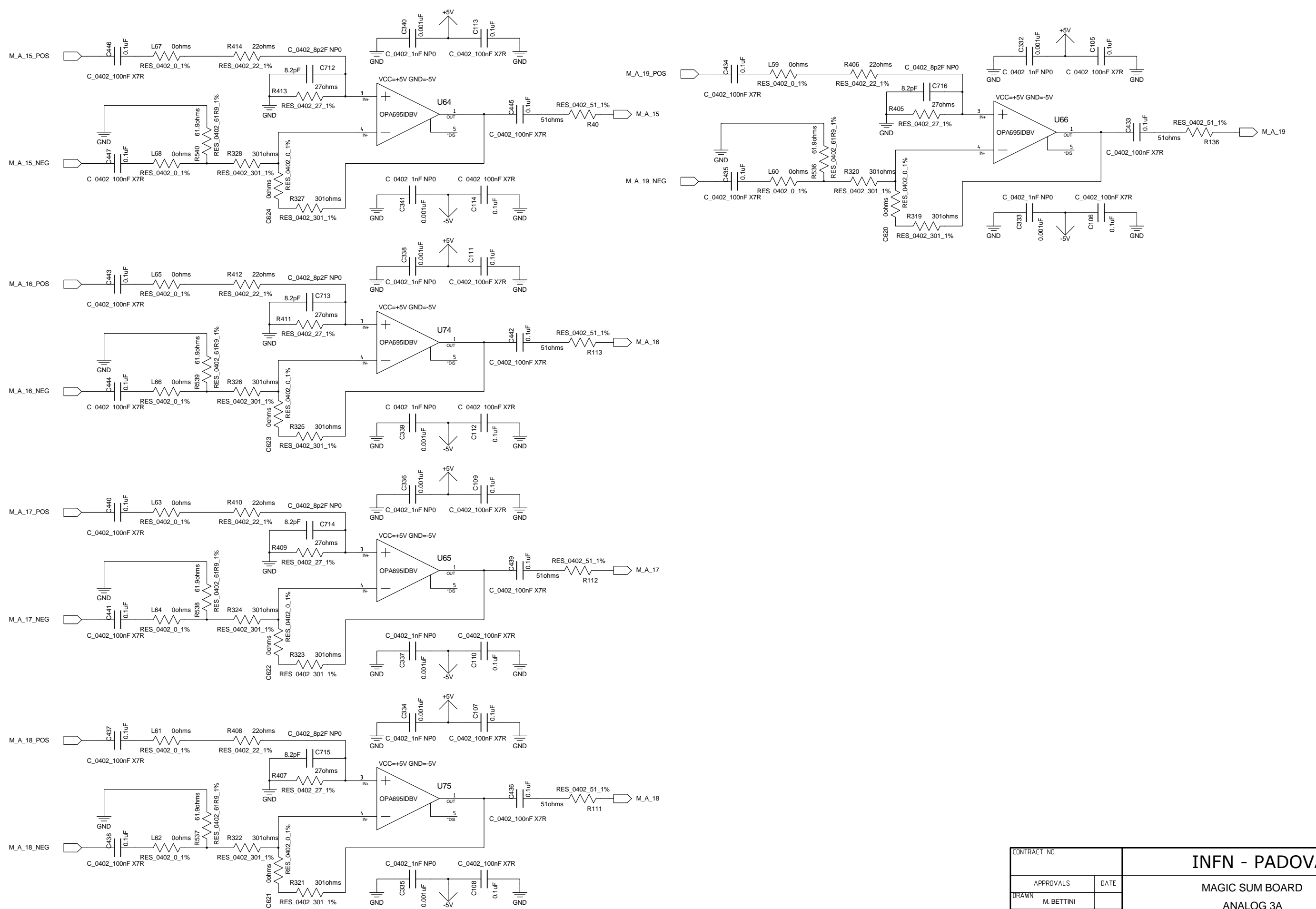
CONTRACT NO.		INFN - PADOVA	
APPROVALS	DATE		
DRAWN M. BETTINI		MAGIC SUM BOARD	
CHECKED			
ISSUED		SIZE A3	FSCM NO. MAB01001 v0.0
		SCALE	DWG. NO. SHEET 3 OF 18



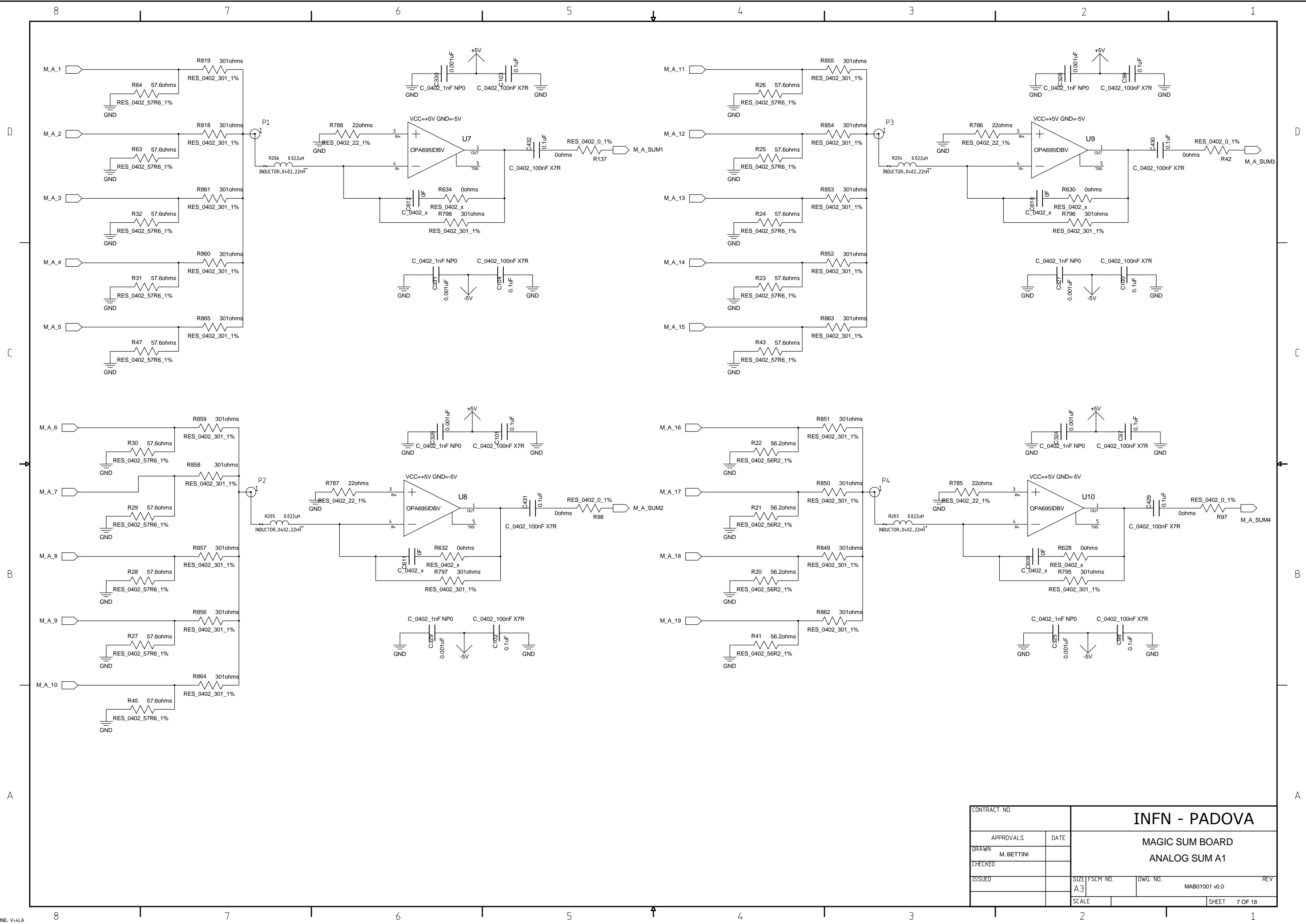
CONTRACT NO.		INFN - PADOVA	
APPROVALS	DATE		
DRAWN M. BETTINI		MAGIC SUM BOARD ANALOG 1A	
CHECKED			
ISSUED	SIZE A3	FSCM NO.	DWG. NO. MAB01001 v0.0
	SCALE		REV
			SHEET 4 OF 18



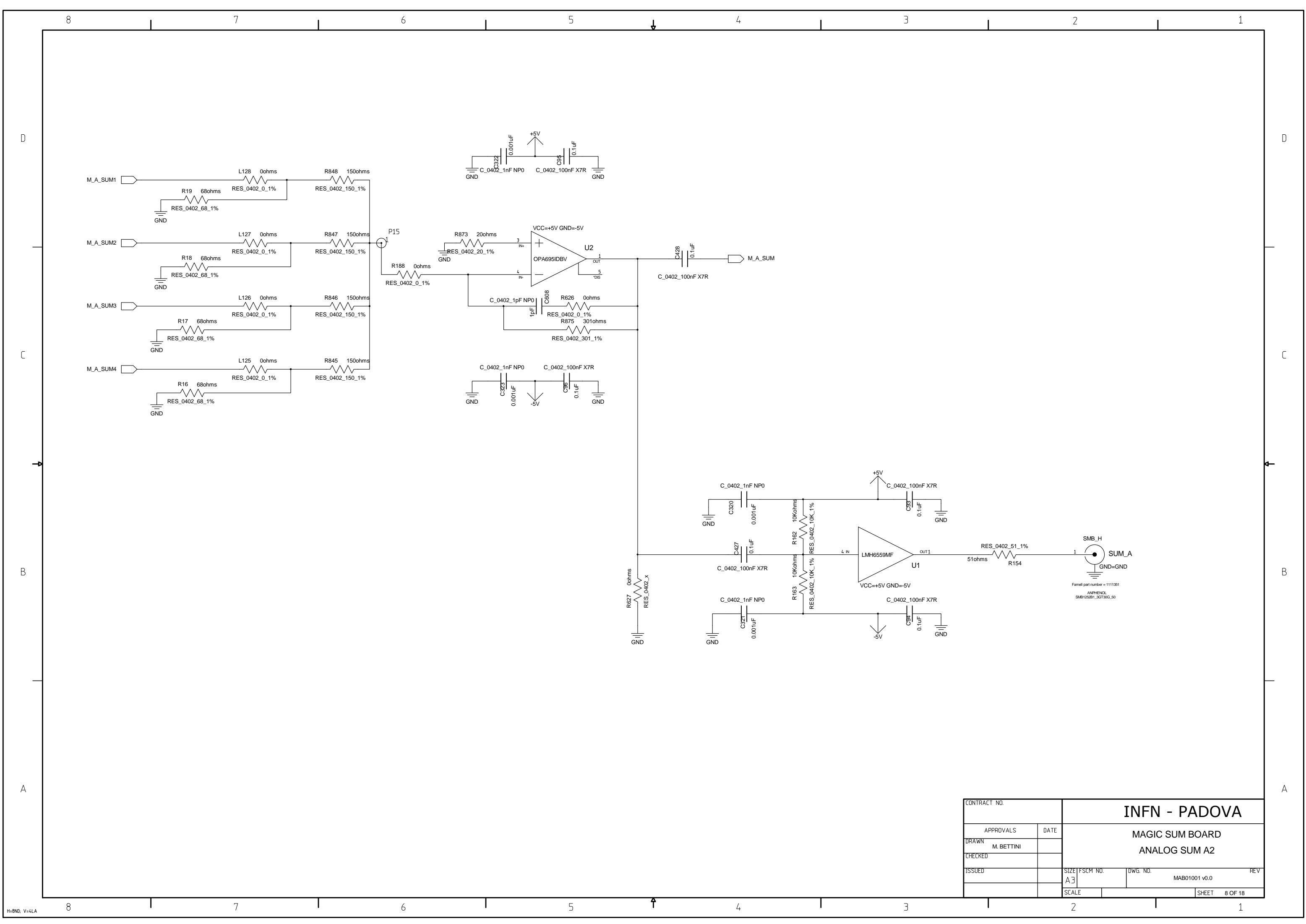
CONTRACT NO.		INFN - PADOVA			
APPROVALS	DATE				
DRAWN	M. BETTINI	MAGIC SUM BOARD ANALOG 2A			
CHECKED					
ISSUED		SIZE	FSCM NO.	DWG. NO.	REV
		A3		MAB01001 v0.0	
		SCALE		SHEET	5 OF 18



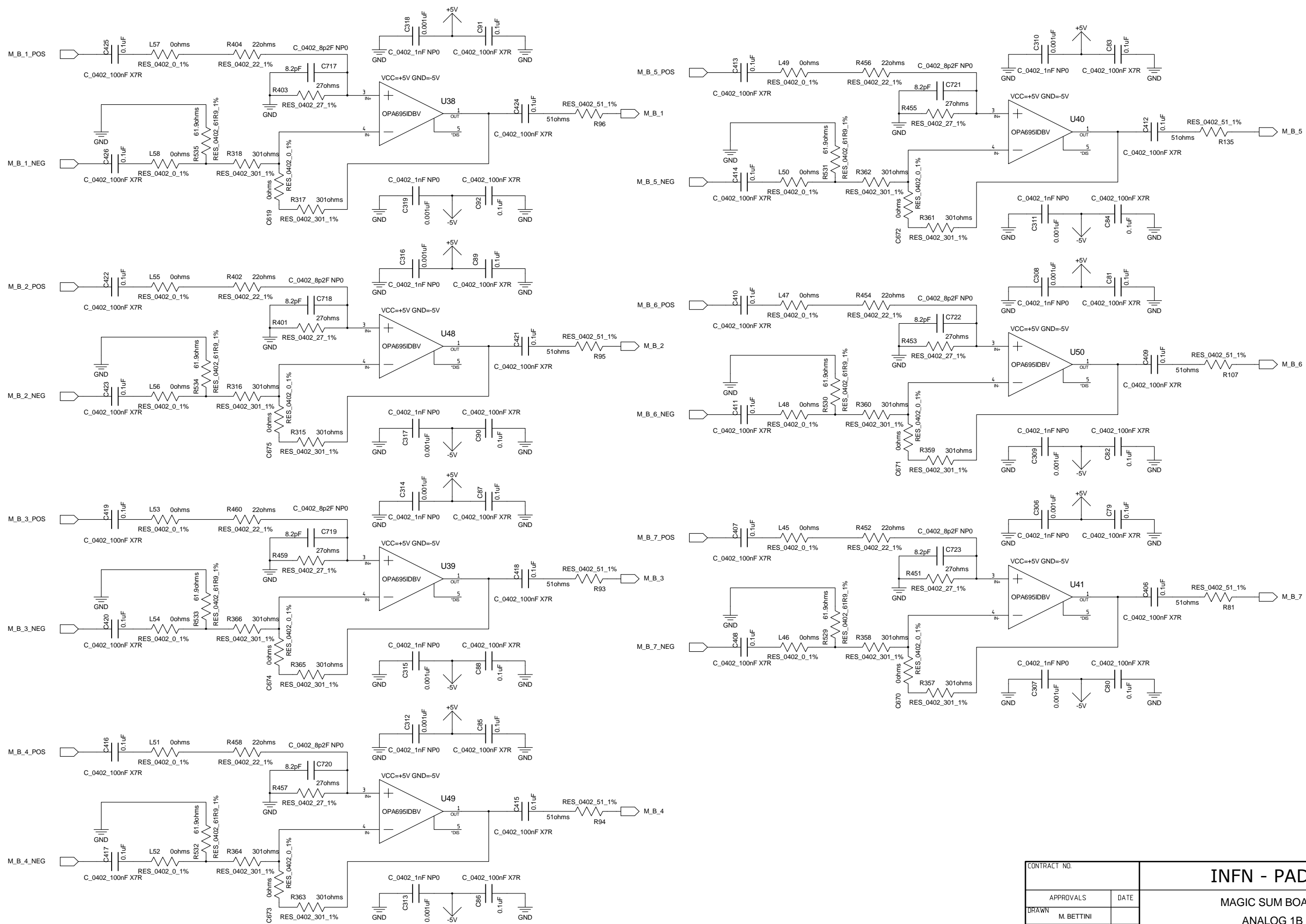
CONTRACT NO.		INFN - PADOVA	
APPROVALS	DATE		
DRAWN	M. BETTINI	MAGIC SUM BOARD	
CHECKED			
ISSUED		SIZE	FSCM NO.
		A3	
		DWG. NO.	REV
			MAB01001 v0.0
		SCALE	SHEET 6 OF 18



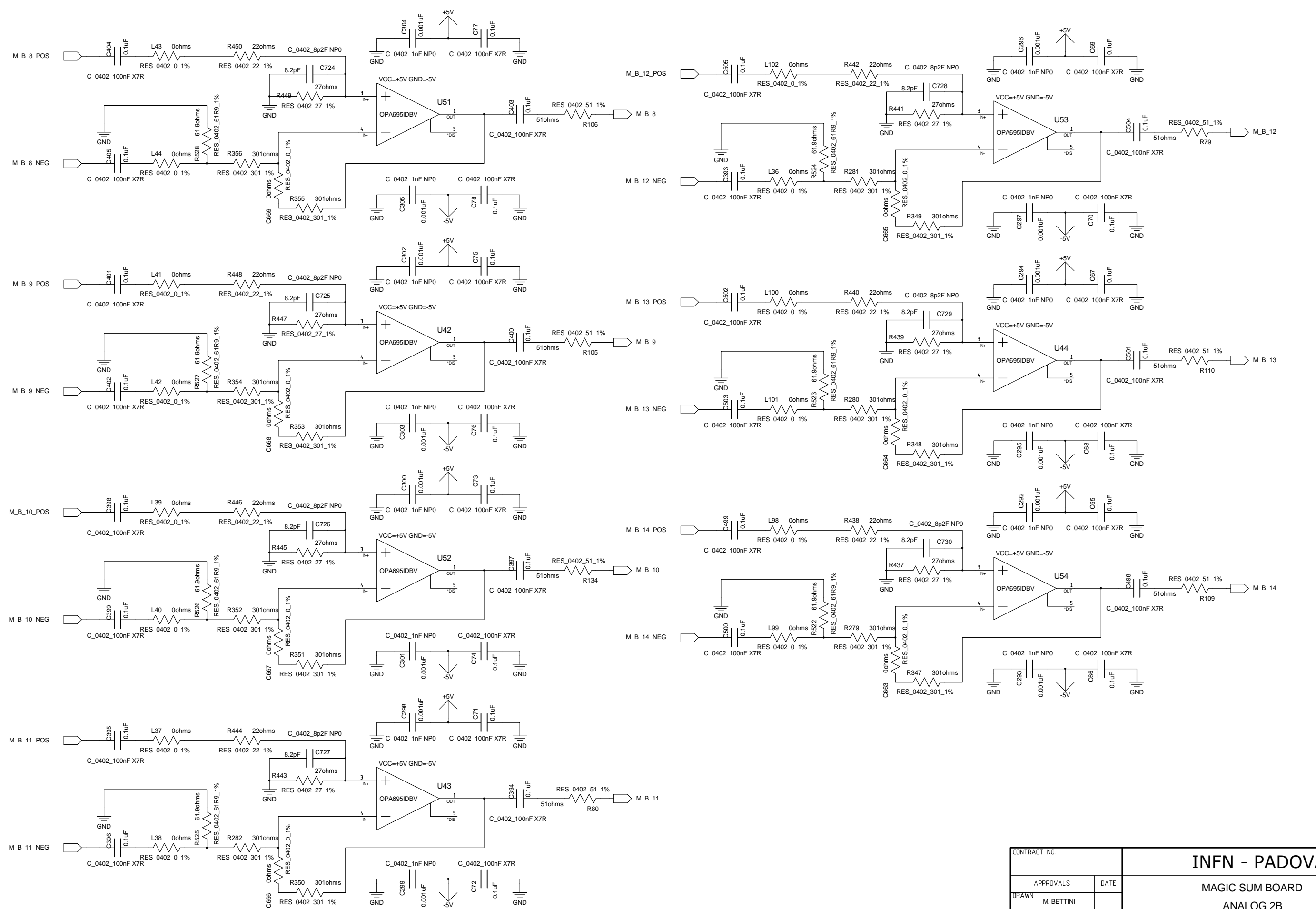
CONTRACT NO.		INFN - PADOVA			
APPROVALS	DATE				
DRAWN	M. BETTINI	MAGIC SUM BOARD			
CHECKED				ANALOG SUM A1	
ISSUED		SIZE	FSCM NO.		
		A3		MAB01001 v0.0	
		SCALE		SHEET	7 OF 18



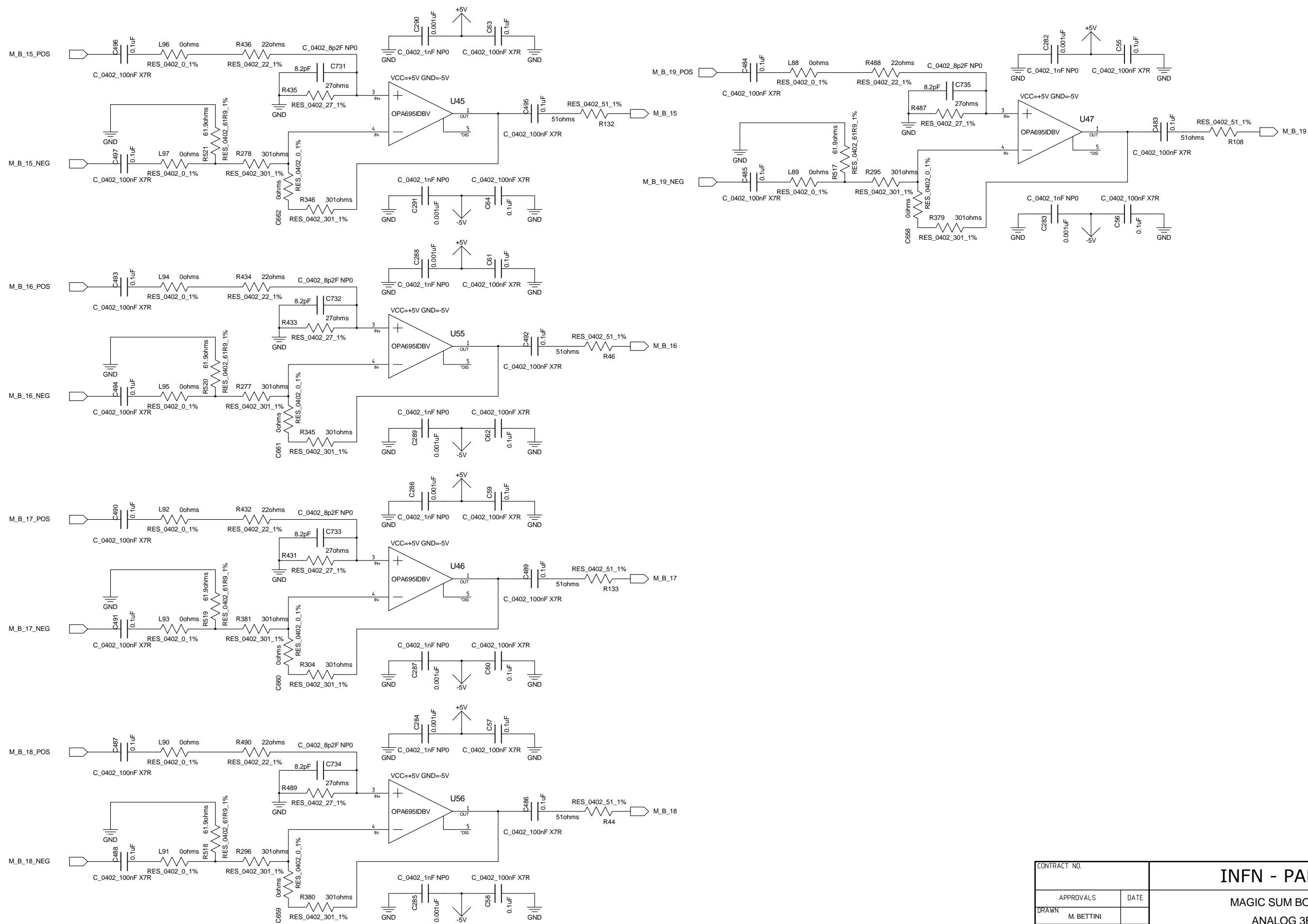
CONTRACT NO.		INFN - PADOVA	
APPROVALS	DATE	MAGIC SUM BOARD	
DRAWN M. BETTINI		ANALOG SUM A2	
CHECKED		SIZE A3	FSCM NO. MAB01001 v0.0
ISSUED		DWG. NO.	REV
		SCALE	SHEET 8 OF 18



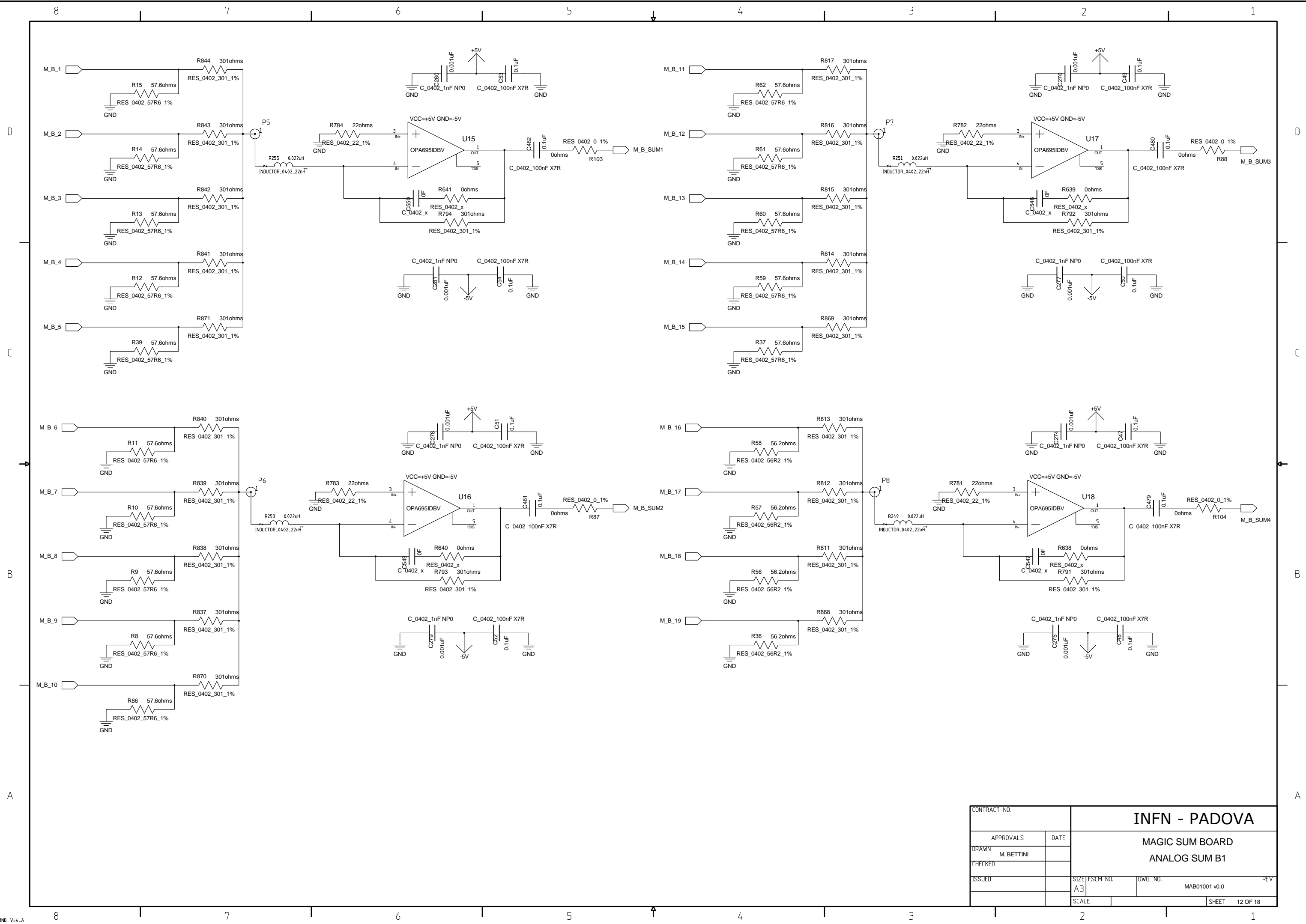
CONTRACT NO.		INFN - PADOVA			
APPROVALS	DATE				
DRAWN	M. BETTINI	MAGIC SUM BOARD ANALOG 1B			
CHECKED					
ISSUED		SIZE	FSCM NO.	DWG. NO.	REV
		A3		MAB01001 v0.0	
		SCALE		SHEET	9 OF 18



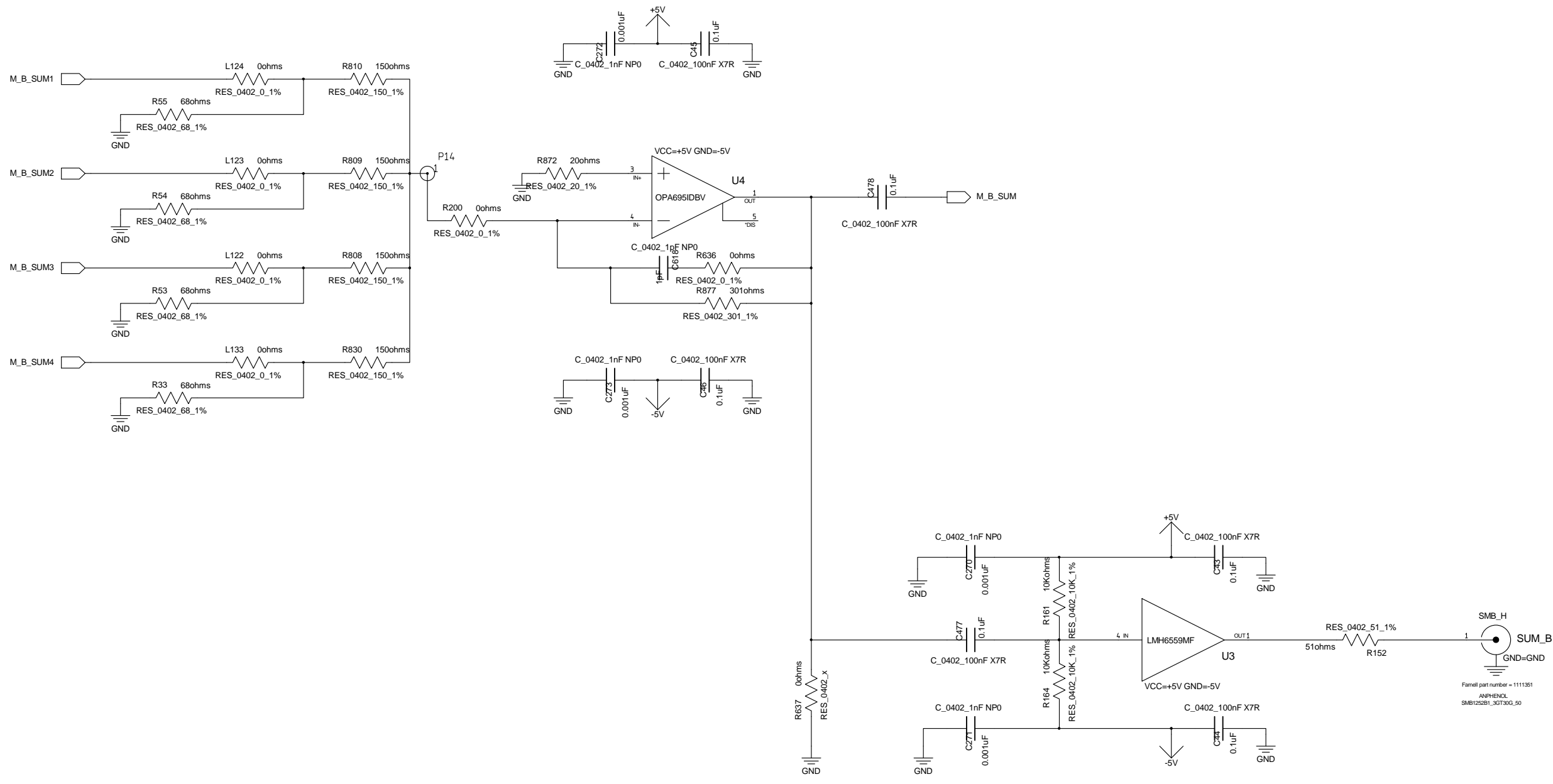
CONTRACT NO.		INFN - PADOVA			
APPROVALS	DATE				
DRAWN M. BETTINI		MAGIC SUM BOARD ANALOG 2B			
CHECKED					
ISSUED		SIZE A3	FSCM NO.	DWG. NO. MAB01001 v0.0	REV
		SCALE			SHEET 10 OF 18



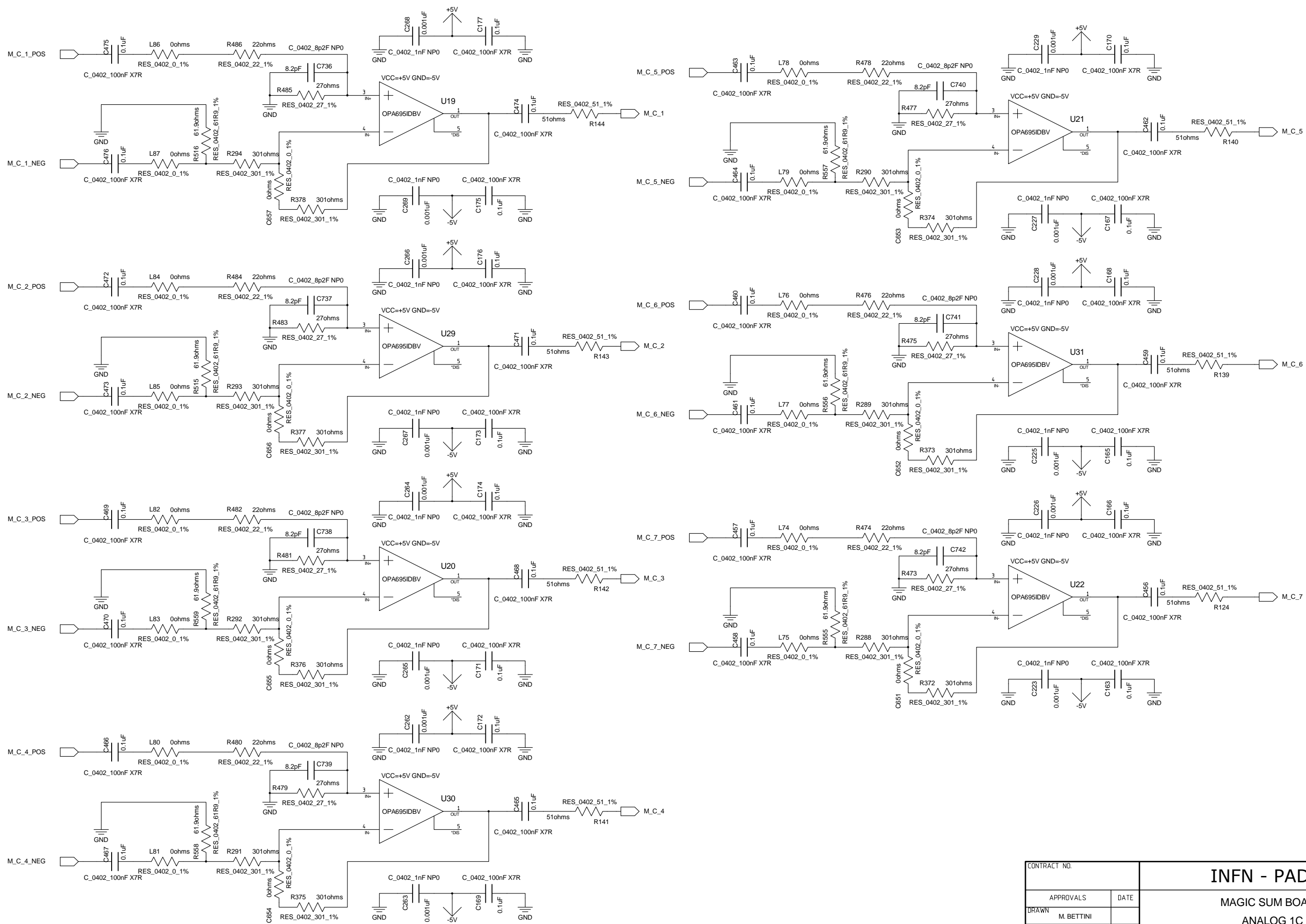
CONTRACT NO.		INFN - PADOVA MAGIC SUM BOARD ANALOG 3B	
APPROVALS	DATE		
DRAWN	M. BETTINI	SIZE	FSCM NO.
CHECKED		DWG. NO.	REV
ISSUED		A3	MAB01001 v0.0
SCALE		SHEET 11 OF 18	



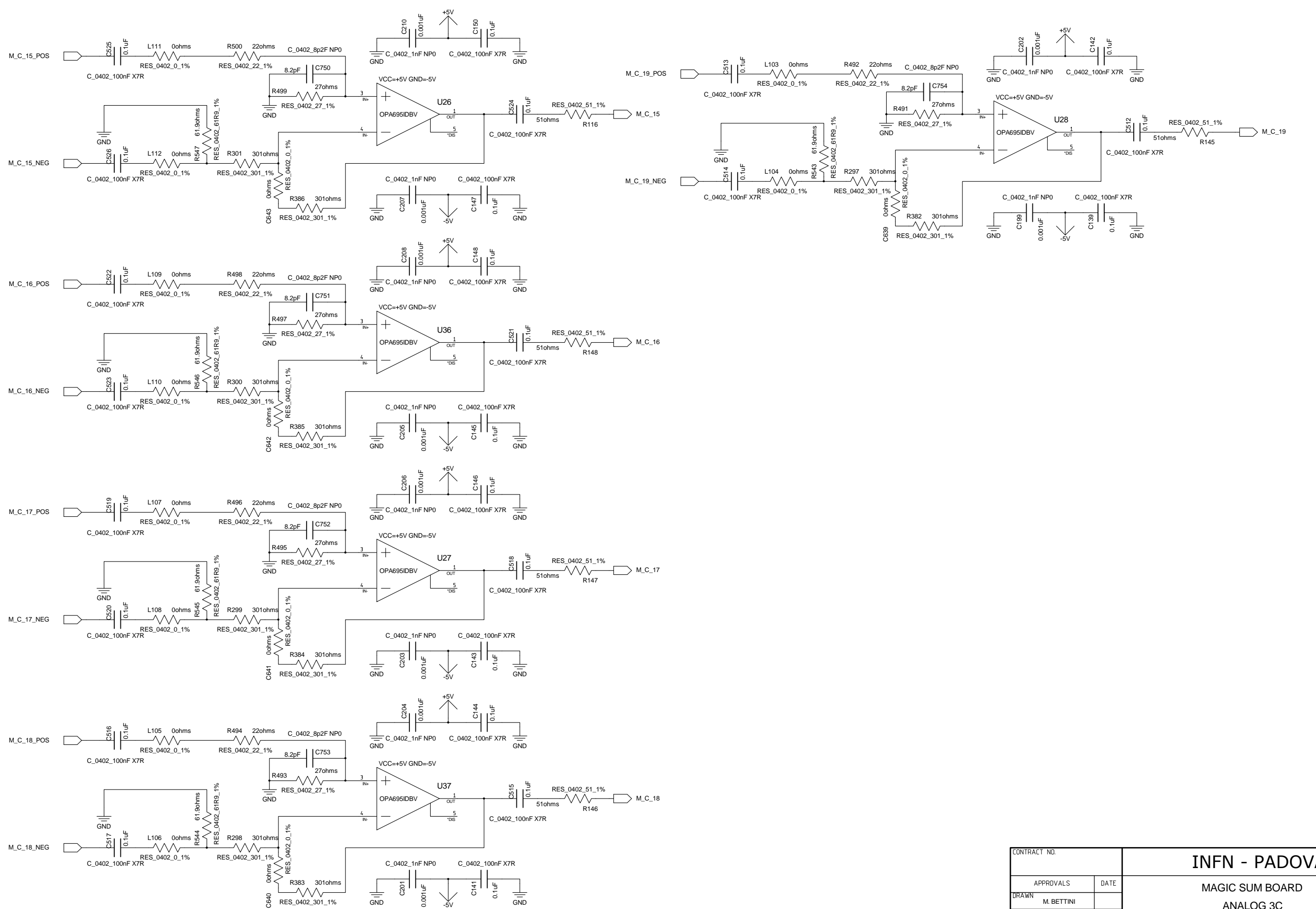
CONTRACT NO.		INFN - PADOVA			
APPROVALS	DATE				
DRAWN	M. BETTINI	MAGIC SUM BOARD ANALOG SUM B1			
CHECKED					
ISSUED		SIZE	FSCM NO.	DWG. NO.	REV
		A3		MAB01001 v0.0	
		SCALE		SHEET	12 OF 18



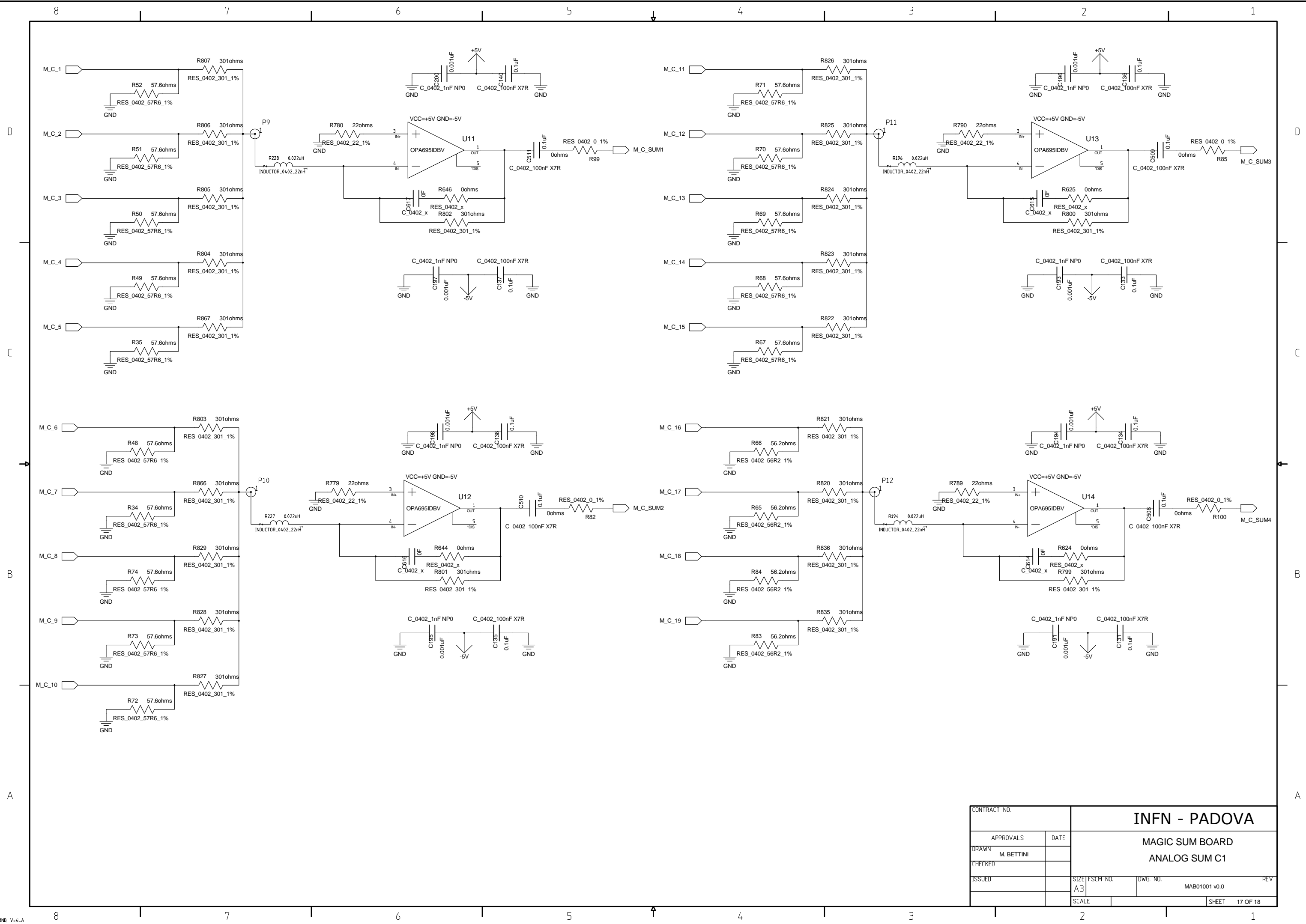
CONTRACT NO.		INFN - PADOVA	
APPROVALS	DATE	MAGIC SUM BOARD	
DRAWN M. BETTINI		ANALOG SUM B2	
CHECKED		SIZE A3	FSCM NO. MAB01001 v0.0
ISSUED		DWG. NO.	REV
		SCALE	SHEET 13 OF 18



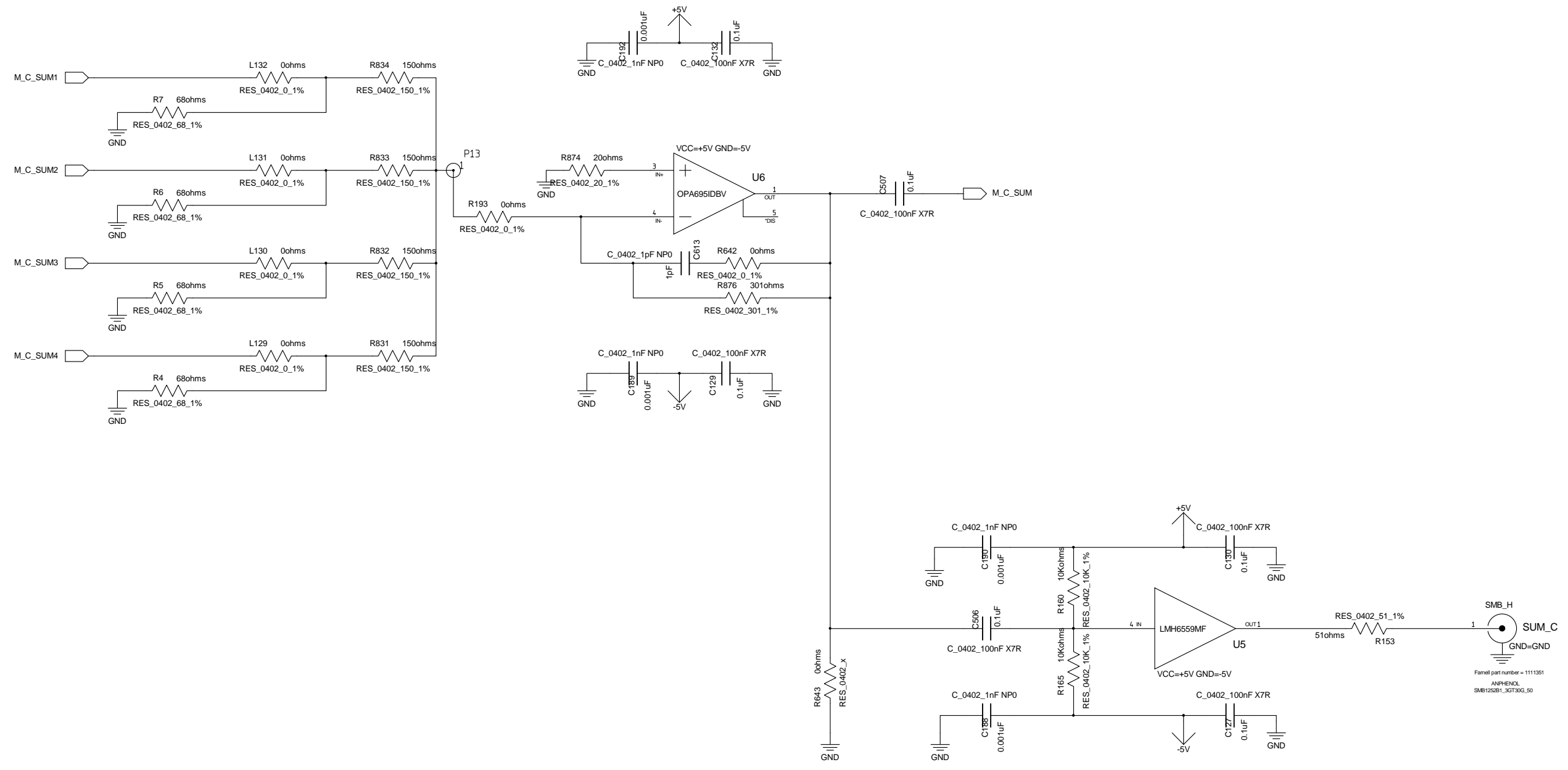
CONTRACT NO.		INFN - PADOVA			
APPROVALS	DATE				
DRAWN	M. BETTINI	MAGIC SUM BOARD ANALOG 1C			
CHECKED					
ISSUED		SIZE	FSCM NO.	DWG. NO.	REV
		A3		MAB01001 v0.0	
		SCALE		SHEET	14 OF 18



CONTRACT NO.		INFN - PADOVA			
APPROVALS	DATE				
DRAWN	M. BETTINI	MAGIC SUM BOARD ANALOG 3C			
CHECKED					
ISSUED		SIZE	FSCM NO.	DWG. NO.	REV
		A3		MAB01001 v0.0	
		SCALE		SHEET	16 OF 18

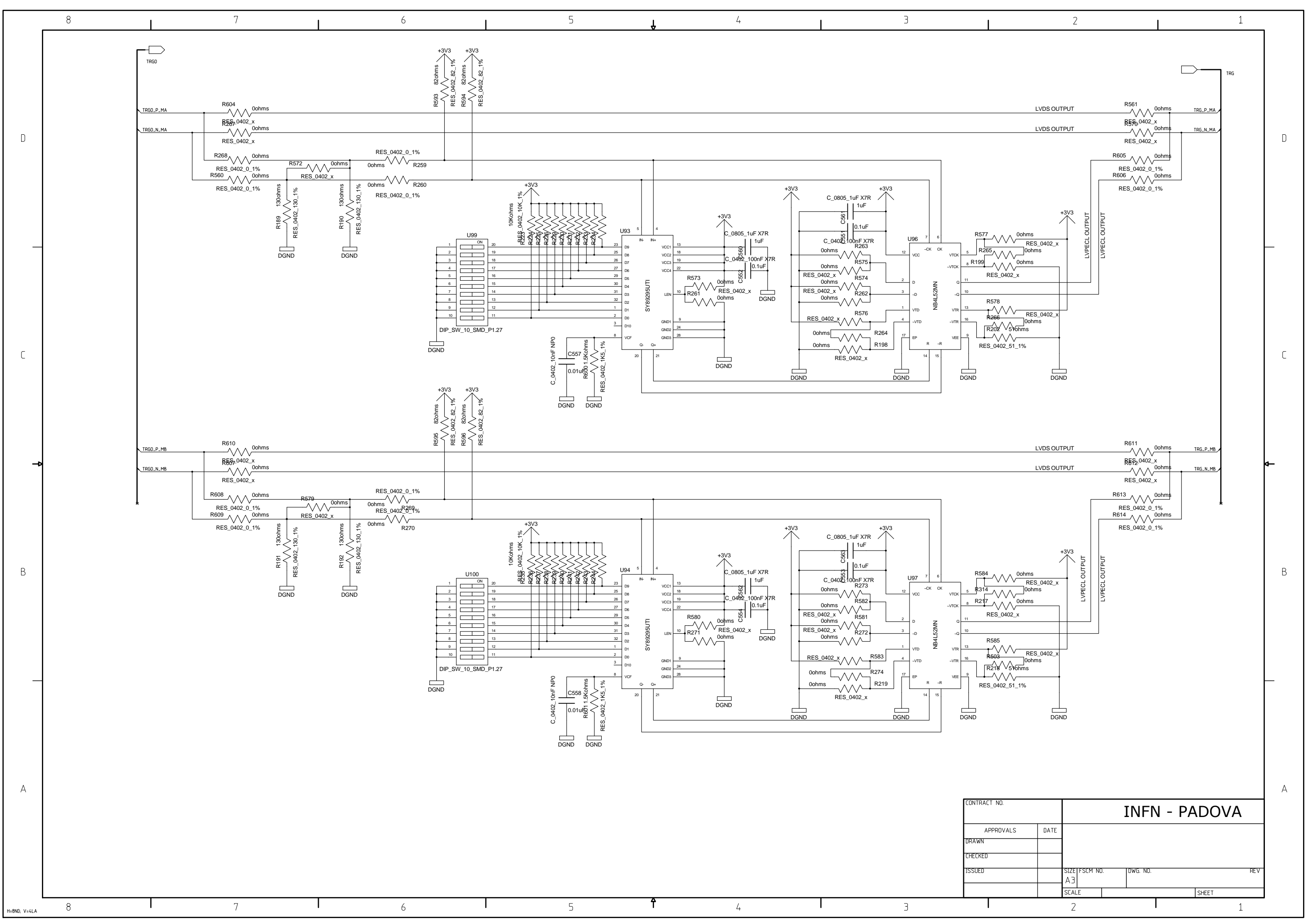


CONTRACT NO.		INFN - PADOVA			
APPROVALS	DATE				
DRAWN	M. BETTINI	MAGIC SUM BOARD			
CHECKED					
ISSUED		SIZE	FSCM NO.	DWG. NO.	REV
		A3		MAB01001 v0.0	
		SCALE		SHEET	17 OF 18

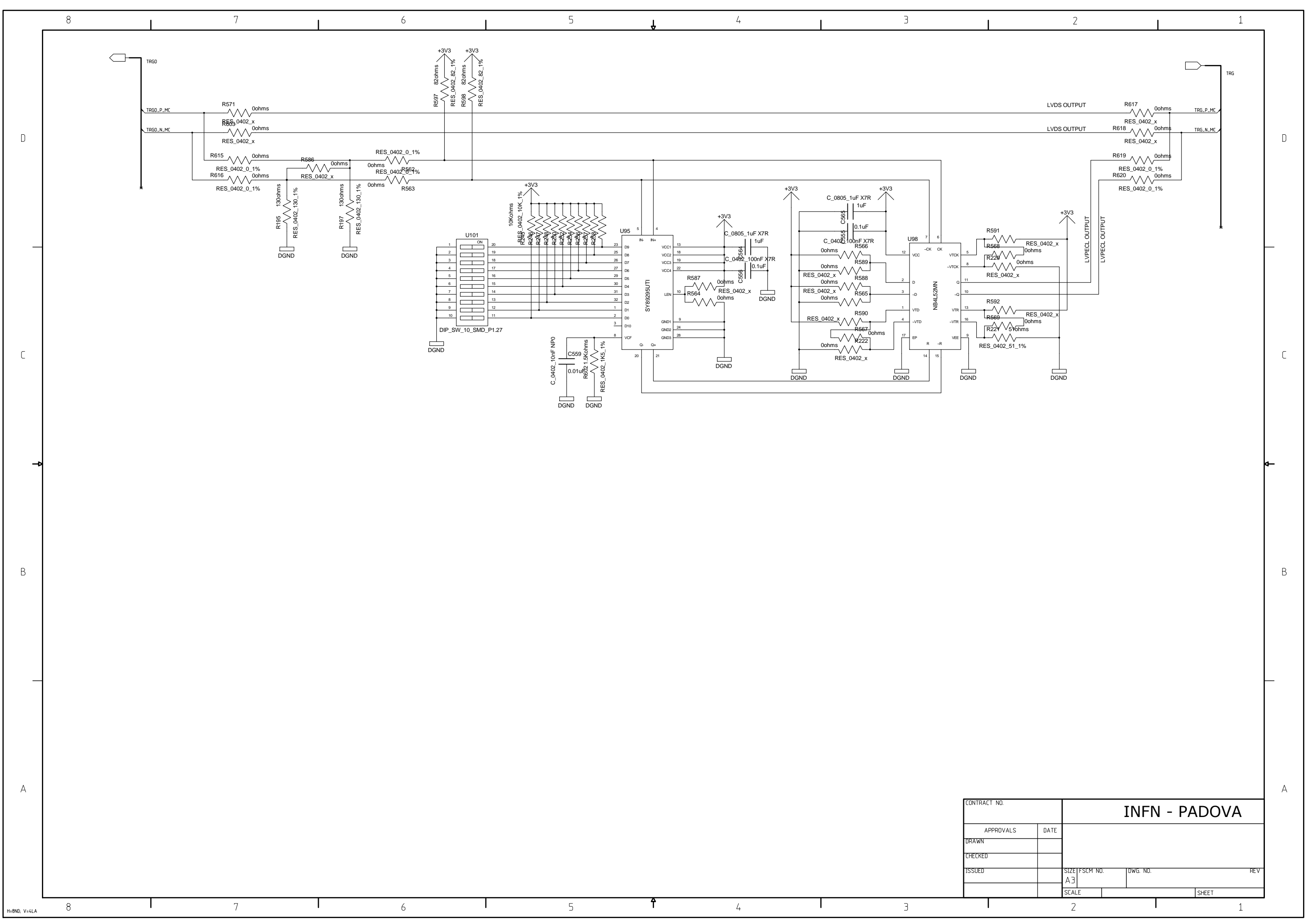


Panel part number = 1111351
 ANHENCOL
 SMB12281_307390_50

CONTRACT NO.		INFN - PADOVA	
APPROVALS	DATE	MAGIC SUM BOARD	
DRAWN M. BETTINI		ANALOG SUM C2	
CHECKED		SIZE A3	FSCM NO. MAB01001 v0.0
ISSUED		DWG. NO.	REV
		SCALE	SHEET 18 OF 18



CONTRACT NO.		INFN - PADOVA	
APPROVALS	DATE		
DRAWN			
CHECKED			
ISSUED		SIZE	FSCM NO.
		A3	DWG. NO.
		SCALE	REV
			SHEET



CONTRACT NO.		INFN - PADOVA	
APPROVALS	DATE		
DRAWN			
CHECKED			
ISSUED		SIZE FSCM NO.	DWG. NO. REV
		A3	
		SCALE	SHEET