

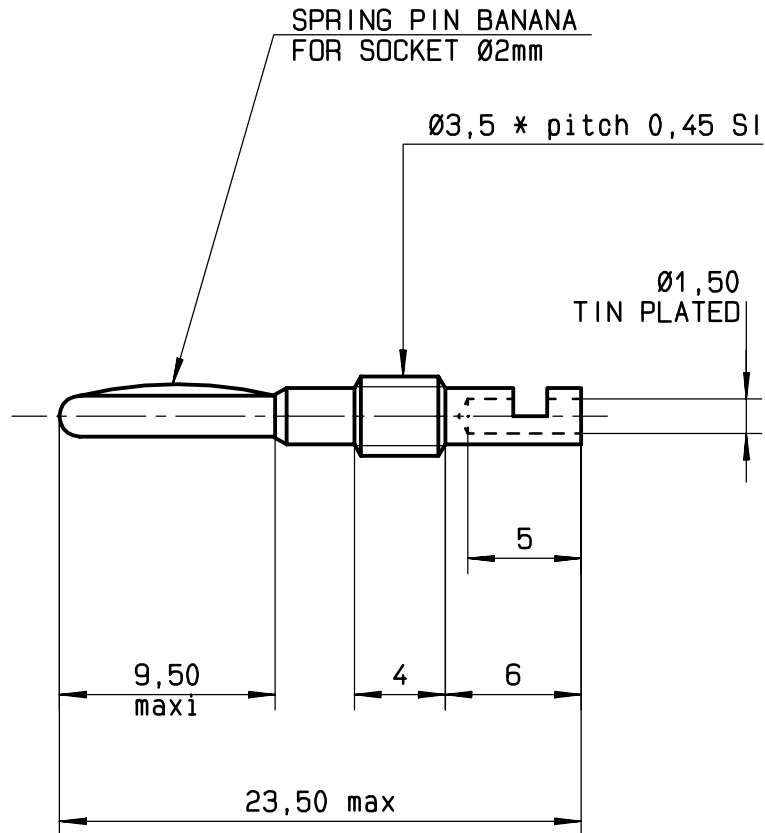


Series
BAN

2 mm dia.SERIE
UNINSULATED BANANA PLUG
/

Issue:
28 APRIL 03

Page
1 / 1



MATERIAL AND FINISH :
-SPRING PIN BANANA : COPPER ALLOY - NICKEL PLATED
-REAR BODY : COPPER ALLOY - TIN PLATED

CHARACTERISTICS :
-CURRENT RATING MAX : 10A (at 20°C)
-CONTACT RESISTANCE : ≤1mΩ

PACKAGING : 100 pièces

This information is given as an indication. In the continual goal to improve our products, we reserve the right to make any modifications judged necessary.
4112-9610

CREATION
PEN: /
NOM: B GOMBERT
DATE: 28 APRIL 03
APPR.: C LAHOREAU
Issue	Revisions		Name	Approved

RADIALL[®]

101, rue Philibert Hoffmann Z.I. Ouest
93116 ROSNY/BOIS Cedex (France)
Tl.: 01 49 35 35 35
Fax.: 01 48 54 63 63
Tlax: RADIA 235220