

1

2

3

4

5

6

7

8

A

A

B

B

C

C

D

D

E

E

F

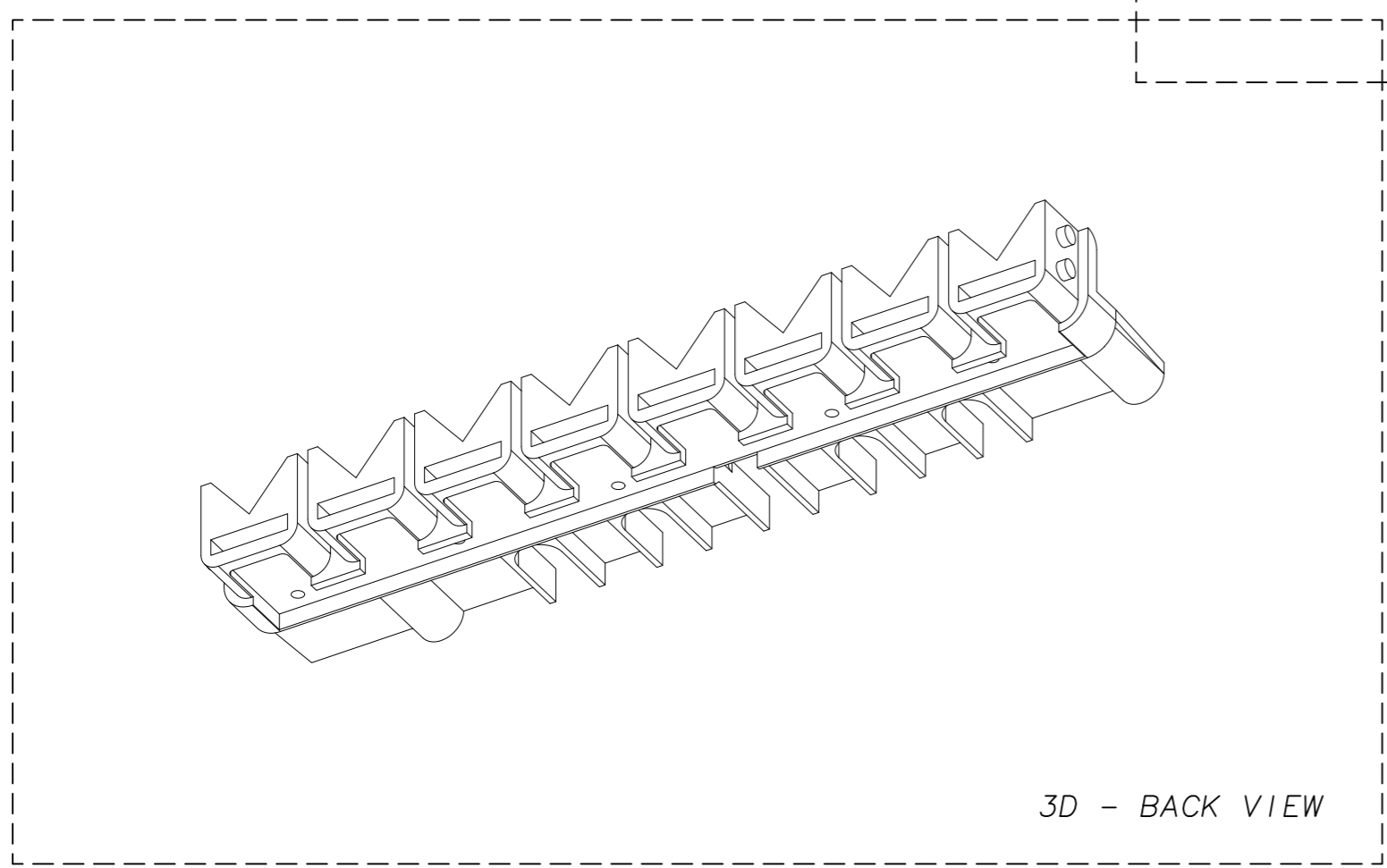
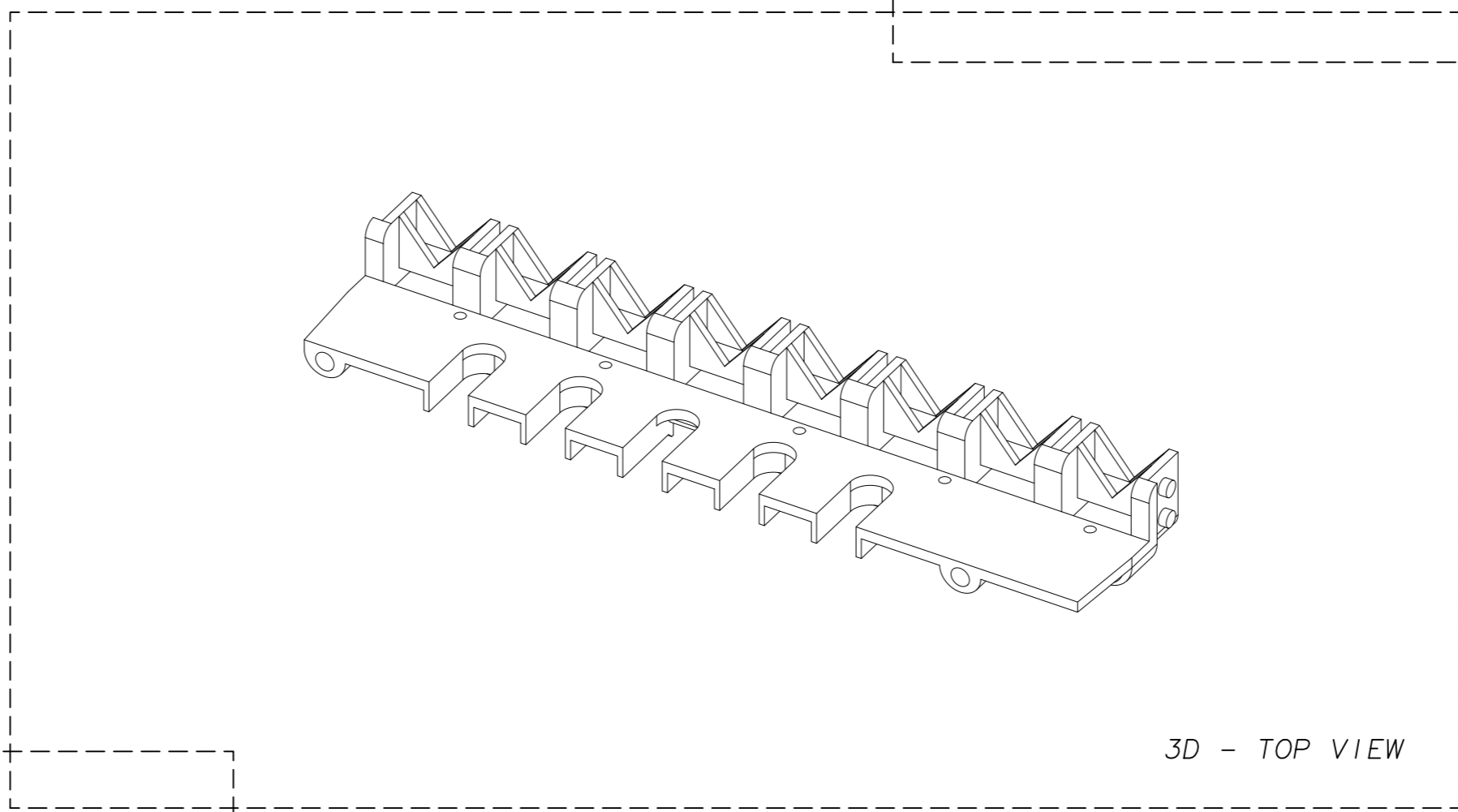
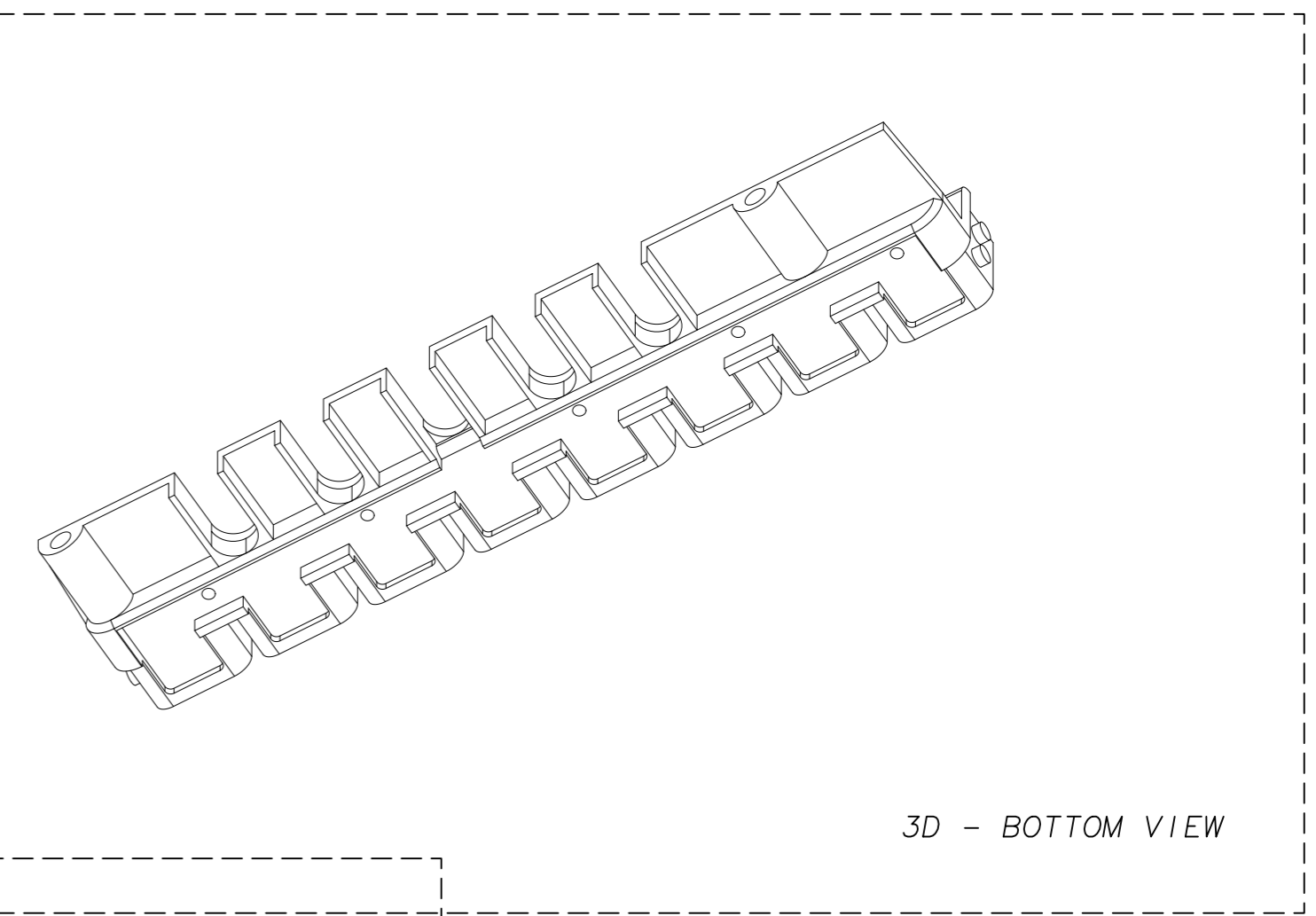
F


G

G

H

H



ITEM	CODE	DESCRIPTION			QTY NEED	MATERIAL SPECIFIC.
NOT DIMENSIONED CHAMFERS		ROUGHNESS Ra in MICROM		SURFACE A/O HEAT TREATING		
DATE	03/07/03	DRAWN	CHECKED	APPROVED	STANDARD VERIF.	DIMENSIONS WITHOUT TOLLERANCE SPECIFICATION
SIGNATURE						SCALE
						Degree of accuracy UNI 5307
 Sezione di Ferrara Istituto Nazionale Fisica Nucleare		TITLE				MODIFICATION INDEX
		PORTABASETTE				1 6
DWG N.		BABAR/PO-000				2 7
		SIZE				3 8
		A2				4 9
						5 10

1

2

3

4

5

6

7

8